

beko

Refrigerator / User Manual

Холодильник / Руководство по эксплуатации

ثلاجة / دليل المستخدم



670475 IEBC

15 7550 0312/ EN/ RU/ AR/ AA/ 12.06.25 10:42
7202920208



Please read this manual first!

Dear Customer

Thank you for choosing this Beko product.

We would like you to achieve the optimal efficiency from this high quality product which has been manufactured with state of the art technology. To do this, carefully read this manual and any other documentation provided before using the product.

Heed all information and warnings in the user manual. This way, you will protect yourself and your product against the dangers that may occur. Keep the user manual. Include this manual with the product if you hand it over to someone else.


The following symbols are used in the user manual and on the product:



Read the user manual.



Hazard that may result in death or injury.

 <p>ÜRETİCİ İSMİ MODEL TANIMI (*)</p> <p>A A</p>	<p>You can access technical information about the product by scanning the QR code on the energy label with a mobile device connected to the Internet.</p>
--	---


1	Safety Instructions	4	9.6	Artificial Intelligence (AI) Techno- logy	25
1.1	Important Safety Symbols	4	9.7	Dairy Products Cold Storage Area	25
1.2	Intention of Use	4	9.8	AeroFlow	25
1.3	Safety of Children, Vulnerable Persons and Pets	4	10	Maintenance and Cleaning	25
1.4	Electrical Safety	5	11	Troubleshooting	27
1.5	Handling Safety	6			
1.6	Installation Safety.....	6			
1.7	Operational Safety.....	9			
1.8	Food Storage Safety.....	12			
1.9	Maintenance and Cleaning Safety	12			
1.10	Lighting	13			
1.11	Disposal of the Old Product.....	13			
1.12	Technical Information About Bluetooth + Wi-fi	14			
2	Environmental Instructions	15			
2.1	Compliance with WEEE regula- tions and Waste Disposal	15			
2.2	Packaging Information.....	15			
3	Your Refrigerator	15			
4	Installation	16			
4.1	Right Place For Installation.....	16			
4.2	Attaching the Plastic Wedges	16			
4.3	Adjusting the Legs.....	17			
4.4	Hot Surface Warning	17			
5	Preparation	17			
5.1	What To Do For Energy Saving	17			
5.2	First Use	17			
5.3	Climate Class and Definitions	18			
6	Operating the Product	18			
7	Control Panel of the Product	18			
8	Using The Product	18			
8.1	Storing Food in Your Product	18			
8.2	Replacing the Illumination Lamp..	23			
8.3	Door Open Alert	23			
8.4	Reversing the Door Opening Side.	24			
9	Product Features	24			
9.1	Crisper Technologies	24			
9.2	The ice storage area.....	24			
9.3	Egg holder	24			
9.4	Crisper	24			
9.5	Energy Management	25			


1 Safety Instructions


- This section includes the safety instructions necessary to prevent the risk of personal injury or material damage.
- Our company shall not be held responsible for damages that may occur if these instructions are not observed.
- Installation and repair operations shall always be performed by manufacturer, authorized service.
- Use original spare parts and accessories only.
- Do not repair or replace any component of the product unless it is clearly specified in the user manual.
- Do not perform any modifications on the product.

1.1 Important Safety Symbols

 Risk of electric shock!

 Read the user manual.

 Danger that may result in burns due to contact with hot surfaces.

 Combustible material, warning against fire hazard.

 Risk of injury due to contact with sharp surfaces!

 Risk of UV-C radiation

1.2 Intention of Use

- This product is not suitable for commercial use and should not be used for a purpose other than its intended use.
- This product is intended for operating interiors, such as households or similar.

For example;

In the staff kitchens of the stores, offices and other working environments,

In farm houses,

In the units of hotels, motels or other resting facilities that are used by the customers,

In hostels, or similar environments,

In catering services and similar non-retail applications.

- This product shall not be used in open or enclosed external environments such as vessels, camper vans, balconies or terraces. Exposing the product to rain, snow, sunlight and wind may cause risk of fire.

1.3 Safety of Children, Vulnerable Persons and Pets

- This product may be used by children aged 8 years and older and persons with under-developed physical, sensory or

mental capabilities or lack of experience and knowledge if they are being supervised or have been given instruction concerning use of the appliance in a safe way and the hazards involved.

- Children between 3 and 8 years are allowed to put and take out food into/from the cooler product.
- Children and pets must not play with, climb on, or get inside the product.
- Children and pets must be kept away from the cabin area (compressor) where electrical parts are located.
- Cleaning and user maintenance must not be performed by children unless there is someone overseeing them.
- Keep the packaging materials away from children. Risk of injury and suffocation.
- If there is a lock available on the product's door, keep the key out of children's reach.

1.4 Electrical Safety

- The product shall not be plugged into the outlet during installation, maintenance, cleaning, repair, and transportation operations.

If the power cable is damaged, it shall only be replaced by authorized service to avoid any risks that may occur.

- Do not tuck the power cable under the product or to the rear of the product. Do not put heavy items on the power cable. The power cable should not be bent, crushed, and come into contact with any heat source.
- Use an original cable only. Do not use cut or damaged cables.
- Do not use an extension cord, multi-plug or adaptor to operate your product.
- Portable multi-plugs or portable power supplies may overheat and cause fire. Thus, do not have a multi-plug, portable power sources behind or in the vicinity of the product.
- Before plugging the product into the power source, please remove the power cable from the condenser hook (if available) during the installation.
- The user should not be able to reach the electrical parts after installation.
- Do not plug the product's power cord in a loose or damaged power outlet. These types of connections may overheat and cause fire.

- The plug shall be easily accessible. If this is not possible, a mechanism that meets the electrical legislation and that disconnects all terminals from the mains (fuse, switch, main switch, etc.) shall be available on the electrical installation.
- The product must not be operated with an external switching device such as a timer, or a remote controlled system.
- Do not use the product when your feet are bare or your body is wet.
- Do not touch the plug with wet hands.
- When unplugging the appliance, don't hold the power cable, but the plug.
- Make sure that the plug is not wet, dirty or dusty.
- Do not ever connect your product to power saving devices. These systems are harmful for the product.
- Always close the doors and do not hold the product by its doors while transporting it.
- Be careful not to damage the cooling system and the pipes while handling the product. Do not operate the product if the pipes are damaged, and contact an authorized service.

1.6 Installation Safety

1.5 Handling Safety

- To prepare the product for use, see the information in the user and installation manual and make sure the electric and water utilities are as required. If not, call a qualified electrician and plumber to arrange the utilities as necessary.
- **Failure to do so may result in electric shock, fire, problems with the product, or injury.**
- Before starting the installation, switch off the fuse to de-energise the power line to which the product is connected.
- The product should be installed by two or more people. Use protective gloves while removing the product from the packaging and installation.
- This product is designed for use at a maximum altitude of 2000 metres above sea level.
- Keep children away from installation area.
- Make sure to unplug the appliance before carrying the product.
- This product is heavy, do not handle it by yourself. Injuries may occur if the product falls on you. Do not bump into places or drop the product while transporting it.

- Check for any damage on the product before installing it. Do not have the product installed if it is damaged.
- Always use personal protective equipment (gloves, etc.) during product installation, maintenance and repair. Risk of injury.
- Do not install or leave the product in places where it may be exposed to external ambient temperatures.
- Place the product on a clean, level and hard surface and balance it with the adjustable legs (by rotating the front feet to the right or left). Otherwise, the refrigerator may tip over and cause injuries.
- Proceed with care to prevent causing any damage to the floors (tiling etc.) while moving the product. Install the product on a floor, or provide sufficient support depending on the size, weight and the use-case of the product. Ensure that the product is not near a heat source, and all four feet are stable and leaning against the floor. Install the product as necessary, and ensure that it is horizontal, using a bubble level. To ensure the complete efficiency of the refrigerant circuit, wait for at least two hours before operating the product.
- The product shall be installed in a dry and ventilated environment. Do not keep carpets, rugs or similar covers under the product. This may cause risk of fire as a result of inadequate ventilation!
- Do not block or cover ventilation holes. Otherwise, power consumption increases and your product may be damaged.
- Leave sufficient space by the sides and above to ensure adequate ventilation. The gap between the back panel and the wall behind the product must be a minimum of 50mm in order to prevent hot surfaces. Reducing this distance may increase the energy consumption of product.
- When placing the product, make sure that the supply cable is not damaged or pinched.
- The product must not be connected to supply systems and power sources which may cause sudden voltage changes (i.e. a portable solar-energy power source). Otherwise, damage to your product may occur as a result of the abrupt voltage fluctuations!
- The more refrigerant a refrigerator contains, the bigger its installation room shall be. In very

small rooms, a flammable gas-air mixture may occur in case of a gas leak in the cooling system. At least 1 m³ of volume is required for each 8 grams of refrigerant. The amount of the refrigerant available in your product is specified in the Type Label.

- The product must never be placed in such a way that power cables, the metal hose of the gas stove, metal gas or water pipes come into contact with the product's rear wall (or the condenser).
- The installation place of the product must not be exposed to direct sunlight and it shall not be in the vicinity of a heat source such as stoves, radiators, etc. If you cannot prevent installation of the product in the vicinity of a heat source, use a suitable insulation plate and make sure the minimum distance to the heat source is as specified below:
 - At least 30 cm away from heat sources such as stoves, ovens, heating units and heaters, etc.,
 - And at least 5 cm away from electrical ovens.
- Your product has the protection class of I.
- Plug the product in a grounded socket that conforms with the Voltage, Current and Frequency values specified in the type label. The socket must have a 10A – 16A fuse. Our firm will not assume responsibility for any damages due to usage without earthing and without power connection in compliance with local and national regulations.
- The product's power cable must be unplugged during installation. Otherwise, risk of electric shock and injury may occur!
- Do not plug the product to loose, broken, dirty, greasy sockets or sockets that have come out of their seats or sockets with a risk of water contact. These types of connections may overheat and cause fire..
- Place the power cable and hoses (if any) of the product so that they shall not cause a risk of tripping over.
- Penetration of humidity and liquid to live parts or to the power cord may cause short circuit. Thus, do not use the product in humid environments or in areas where water may splash (e.g. garage, laundry room, etc.) If the refriger-

ator is wet by water, unplug it and contact an authorized service.

- Do not ever connect your refrigerator to power saving devices. These systems are harmful for the product.
- There is a risk of contact with electrical parts when removing the electronic board cover and the compressor rear cover (if fitted). Do not remove the electronic board cover and the compressor rear cover (if fitted). There is a risk of electrocution!

1.7 Operational Safety

- Do not ever use chemical solvents on the product. These materials contain an explosion risk.
 - In case of a failure of the product, unplug it (or de-energise the fuse to which it is connected), and do not operate until it is repaired by the authorized service. There is a risk of electric shock!
 - Do not place flames (lighted candle, cigarette, etc.) or heat sources (iron, hob, oven, etc.) on or near the product. Do not place flammable/explosive materials near the product...
 - Do not get on the product. Risk of falling and injury!
- Do not cause damage to the pipes of the cooling system using sharp and piercing tools. The refrigerant that sprays out in case of puncturing the gas pipes, pipe extensions or upper surface coatings may cause irritation of skin and injury to the eyes.
 - Do not intervene in or damage the coolant circuit. Risk of explosion.
 - Do not place and operate electrical appliances inside the refrigerator/freezer unless it is advised by the manufacturer.
 - Do not use any procedures other than those recommended by the manufacturer to speed up defrosting.
 - Take due care not to jam any parts of your hands or your body to the moving parts inside the product. Be careful to prevent jamming of your fingers between the refrigerator and its door. Be careful while opening or closing the door if there are children around.
 - Do not put ice cream, ice cubes or frozen food to your mouth as soon as you take them out of the freezer. Risk of frostbite!

- Do not touch the inner walls, metal parts of the freezer or food kept inside the freezer with wet hands. Risk of frost-bite!
- Do not place soda cans or cans and bottles that contain fluids that may be frozen to the freezer compartment. Cans or bottles may explode. Risk of injury and material damage!
- Do not use or place materials sensitive against temperature such as flammable sprays, flammable objects, dry ice or other chemical agents in the vicinity of the refrigerator. Risk of fire and explosion!
- Do not store explosive materials such as aerosol cans with flammable materials inside the product.
- Do not place cans containing fluids over the product an open state. Splashing of water on an electrical part may cause an electric shock or a fire.
- Due to risk of breaking, do not store glass containers with liquid inside in the freezer compartment.
- This product is not intended for storage and cooling of medicines, blood plasma, laboratory preparations or similar materials and products that are subject to the Medical Products Directive.
- If the product is used against its intended purpose, it may cause damage to or deterioration of the products stored inside.
- If your refrigerator is equipped with blue light, do not look at this light with optical devices. Do not stare directly at UV LED light for a long time. Ultraviolet rays may cause eye strain.
- Do not fill the product with more contents than its capacity. Do not use any procedures other than those recommended by the manufacturer to speed up defrosting. Injuries or damages may occur if the contents of the refrigerator fall when the door is opened. Similar problems may also occur when an object is placed over the product.
- Ensure that you have removed any ice or water that may have fallen to the floor to prevent injuries.
- Change the locations of the racks/bottle racks on the door of your refrigerator only when the racks are empty. Danger of injury!

- Do not place objects that may fall/tip over on the product. These objects may fall while opening or closing the door and cause injuries and/or material damages.
- Do not hit or exert excessive pressure on glass surfaces. Broken glass may cause injuries and/or material damages.
- For products designed to use an air filter inside an accessible fan cover, the filter must always be in position when the refrigerator is in function.
- Do not block out the fan (if available) with food.
- Damaged gaskets should be replaced as soon as possible.
- Your product may have special compartments (Fresh Food Compartment, Zero Degrees Compartment etc.) Unless otherwise stated in the relevant manual of the product, these compartments can be removed, and the product can be used with the same performance.
- The cooling system in your product contains R600a refrigerant. The refrigerant type used in the product is specified in the type label. This gas is flammable. Therefore, be careful not to damage the cooling system and the pipes while operating the product. In case of damage to the pipes;
 1. Do not touch the product or the power cable.
 2. Keep the product away from potential sources of fire that may cause the product to catch fire.
 3. Ventilate the area where the product is placed. Do not use a fan.
 4. Contact Authorized Service.Before disposing of old products that shall not be used any more:
 1. Unplug the power cord from the mains socket.
 2. Cut the power cable and remove it from the appliance together with the plug.
 3. Do not remove the racks and drawers from the product to prevent children from getting inside the appliance.
 4. Remove the doors.
 5. Store the product so that it shall not be tipped over.
 6. Do not allow children to play with the scrapped product.
 7. If the product is damaged and you observe gas leak, please stay away from the gas. Gas may cause frostbite if it contacts your skin.
- Do not dispose of the product by throwing it into fire. Risk of explosion.

- If there is a lock available on the product's door, keep the key out of children's reach.

1.8 Food Storage Safety

Please pay attention to the following warnings to avoid food spoilage:

- Leaving the doors open for a long time may cause the temperature inside the product to rise.
- Regularly clean the accessible drainage systems in contact with food.
- Clean the water tanks that have not been used for 48 hours and mains-fed water systems that have not been used for more than 5 days.
- Store raw meat and fish products in appropriate compartments within the product. Thus, it does not drip on or come into contact with other foods.
- Two-star freezer compartments are used for storing pre-filled foods, making and storing ice and ice cream.
- One, two and three-star compartments are not appropriate for freezing fresh food.
- If the cooling product has been left empty for a long time, turn off the product, defrost, clean,

and dry the product in order to protect the housing of the product.

- After the foods are placed, check if the compartment hatches, and especially the freezer door, are properly closed.
- Use the refrigerator compartment for storing fresh foods, and the freezer compartment for storing frozen goods, freezing fresh foods and preparing ice cubes.
- Do not store foods without properly sealing them in the refrigerator and the freezer compartments, to prevent direct contact with the inner surfaces.

1.9 Maintenance and Cleaning Safety

- Unplug the refrigerator or de-energise the fuse before cleaning it or starting to perform maintenance.
- Do not pull by the door or door handle if you are going to move the product for cleaning purposes. The door may cause injuries if the handle is pulled too hard.

- Do not place hands, feet or metal objects under or behind your product. Jamming may occur or any sharp edge may cause personal injuries.
- Do not wash the inside or outside of the product with a pressure washer, steam, spray water or pouring water. Risk of electric shock and fire.
- When cleaning the product, do not use sharp and abrasive tools or household cleaning agents, detergent, gas, gasoline, thinner, alcohol, varnish, and similar substances. Use only cleaning and maintenance agents that are not harmful for food inside the product.
- Do not use paper towels, kitchen sponges or other hard cleaning materials.
- Do not ever use steam or steamed cleaning materials for cleaning the product and thawing the ice inside it. Steam contacts the live areas in your refrigerator and causes short circuit or electric shock.
- Do not use any mechanical tools or any other tools than the recommendations of the manufacturer to speed up the thawing operation.
- Take care to keep water away from the ventilation holes, electronic circuits or lighting of

the product. Otherwise, risk of fire or electric shock may occur.

- Use a clean, dry cloth to wipe the dust or foreign material on the tips of the plugs. Do not use a wet or damp piece of cloth to clean the plug. Otherwise, risk of fire or electric shock may occur.

1.10 Lighting

Contact an authorized service when you shall replace the LED / bulb using for lighting.

1.11 Disposal of the Old Product

When disposing of your old product follow the instructions below:

- To prevent children from accidentally locking themselves into the product, if there is door lock, disable it.
- Splash of coolant is harmful to the eyes. Do not damage any part of the cooling system while disposing of the product.
- It may be fatal if the compressor oil is swallowed or if it penetrates the respiratory tract.
- Cooling system of your product includes R600a gas as specified in the type label. This gas is flammable. Do not dis-

pose of the product by throwing it into fire. Risk of explosion!

- C -Pentane is used as a blowing agent in insulation foam and it is a flammable substance. Do not dispose of the product by throwing it into fire.



1.12 Technical Information About Bluetooth + Wi-fi

Frequency Band:	2.4GHz (Wi-fi or bluetooth function)
Max. Transferring Power:	< 100mW (Wi-fi or bluetooth function)
Software Details:	Quartz_WiFi.XXX

CE Declaration of Conformity:
Arçelik A.Ş. states that this product is in compliance with 2014/53/EU directive.

The entire EU declaration of conformity is available on the following website:
support.beko.com

2 Environmental Instructions

2.1 Compliance with WEEE regulations and Waste Disposal

This product does not contain hazardous and prohibited substances specified in the "Regulations for Supervision of Waste Electrical and Electronic Equipment" published by Turkish Ministry of Environment and Urban Planning.



Complies with WEEE Regulation. This product was manufactured from recyclable and reusable high quality parts and materials. Therefore, do not dispose of this product with other domestic wastes at the end of its life cycle. Take it to a collection point for electrical and electronic equipment. Please ask

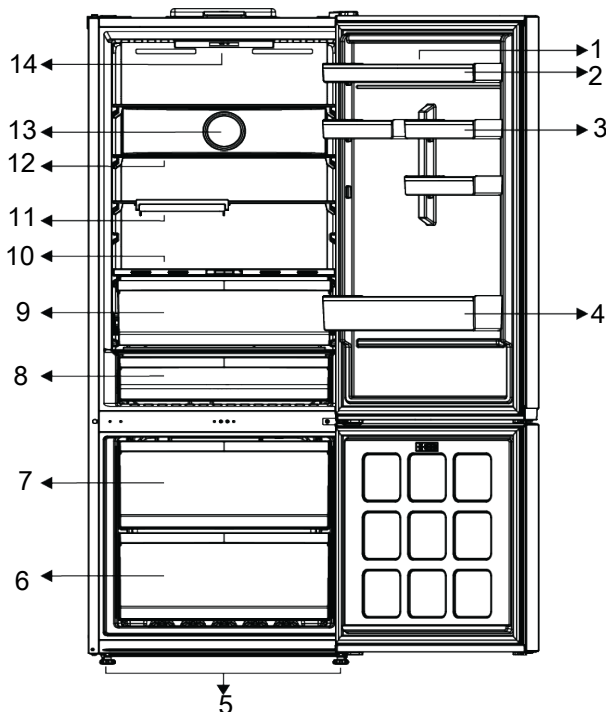
your local authorities regarding these collection areas. You can help protect the environment and natural resources by delivering the used products for recycling.

CE Conformity with standards and test information / Declaration of EC conformity

Development, manufacture and sales stages of this product conform to the safety rules in all relevant guidelines of the European Community. 2014/35/EU, 2014/30/EU, 93/68/EC, IEC 60436/DIN 44990, EN 50242

2.2 Packaging Information

3 Your Refrigerator



- | | |
|----------------------------|---------------------------------|
| 1 *Adjustable door shelves | 2 Egg holder |
| 3 *Small door shelves | 4 *Bottle shelf |
| 5 Adjustable legs | 6 Freezer compartment drawer |
| 7 Icebox container | 8 *Cold storage drawer |
| 9 Crisper | 10 *Humidity controlled crisper |
| 11 *Foldable wine rack | 12 *Adjustable glass shelf |
| 13 Fan | 14 Lighting |

***Optional:** Figures in this user manual are schematic and may not exactly match your product. If your product does not comprise the relevant parts, the information pertains to other models.

4 Installation

Read the "Safety Instructions" first!

4.1 Right Place For Installation

Contact the Authorized Service for the product's installation. To prepare the product for installation, see the information in the user manual and make sure the electric and water utilities are as required. If not, call an electrician and plumber to arrange the utilities as necessary.

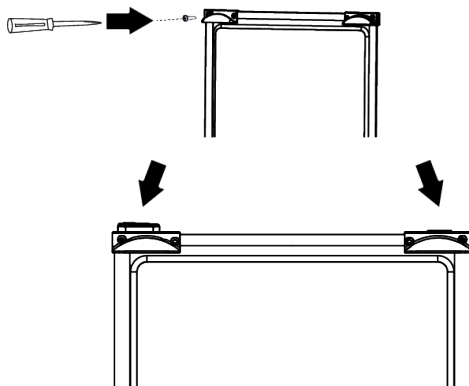
- Place the product on a flat surface to avoid vibration
- Place the product at least 30 cm away from the heater, stove and similar sources of heat and at least 5 cm away from electric ovens.
- When placing two coolers in adjacent position, leave at least 4 cm distance between the two units.
- Keep the product out of direct sunlight and in a dry place.
- Your product requires adequate air circulation to function efficiently. If you place the product in an alcove, remember to leave at least 5 cm clearance between the product and the ceiling, rear wall and the side walls.
- Check if the rear wall clearance protection component is present at its location (if provided with the product).
- If the component is not available, or if it is lost or fallen, position the product so that at least 5 cm clearance shall be left

between the rear surface of the product and the wall of the room. The clearance at the rear is important for efficient operation of the product.

4.2 Attaching the Plastic Wedges

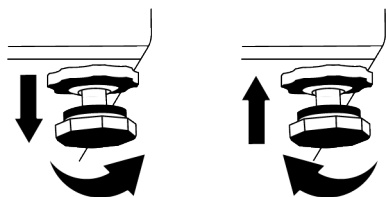
Use the plastic wedges provided with the product to maintain sufficient space for air circulation between the product and the wall.

1. To attach the wedges, remove the screws on the product and use the screws provided with the wedges.
2. Attach 2 plastic wedges on the ventilation cover as shown in the figure.



4.3 Adjusting the Legs

If the product is not in balanced position, adjust the front adjustable legs by rotating them to right or left.



4.4 Hot Surface Warning

The side walls of your product are equipped with cooler pipes to enhance the cooling system. High pressure fluid may flow through these surfaces, and cause hot surfaces on the side walls. This is normal and it does not require servicing.

5 Preparation

Read the "Safety Instructions" first!

5.1 What To Do For Energy Saving

- This refrigerating appliance is not intended to be used as a built in appliance.
- When loading the food, leave enough space inside the refrigerator to allow sufficient air circulation for cooling.
- Since hot and humid air will not directly penetrate into your product when the doors are not opened, your product will optimize itself in conditions sufficient to protect your food. Under these circumstances, functions and components such as compressor, fan, heater, defrost, lighting, display and so on will operate according to the needs by consuming minimum energy.
- In case that multiple options are present, glass shelves must be placed so that the air outlets at the rear wall are not blocked and preferably, in a way that air outlets remain below the glass shelf. This combination may help improving air distribution and energy efficiency.
- Using the below drawer when storing is strongly recommended.
- For optimum performance, Quick Freezing can be used (if available), 24 hours prior to placing fresh foods in the freezer.
- In most cases, 24 hours is enough for the Quick Freezing function after fresh foods are placed in the freezer. After some time, Quick Freezing function will deactivate automatically.

- When freezing a small amount of food, Quick Freezing function can be deactivated after some time to ensure energy saving.
- Depending on the product's features; defrosting frozen foods in the cooler compartment will ensure energy saving and preserve food quality.
- In order to load the maximum quantity of food into the freezer compartment of your refrigerator, the upper drawers should be taken out and the food should be placed onto the wire/glass shelves.
- Store food in the cooler or chill compartment according to proper storage conditions to save energy.
- Food packages shall not be in direct contact with the temperature sensor located in the freezer compartment.

5.2 First Use

Before using your product make sure the necessary preparations are made in line with the instructions in "Safety Instructions" and "Installation" sections.

- Wait for at least 2 hours before operating the product, to ensure the complete efficiency of refrigeration.
- Keep the product running without placing any food inside for 6 hours and the product door should be kept as closed as possible.

- The temperature change caused by opening and closing of the door while using the product may normally lead to condensation on door/body shelves and glassware placed in the product.
- A sound will be heard when the compressor is engaged. It is normal for the product to make noise even if the compressor is not running, as fluid and gas may be compressed in the cooling system.
- It is normal for the front edges of the product to be warm. These areas are designed to warm up in order to prevent condensation
- For some models, indicator panel turns off automatically 1 minute after the door closes. It will be reactivated when the door is opened or any button is pressed.

6 Operating the Product

Read the "Safety Instructions" first!

- The product shall be used for storing food only.
- Turn off the water valve if you will be away from home (e.g. at vacation) and you will not be using the Icematic or the water dispenser for a long period of time. Otherwise, water leaks may occur.

7 Control Panel of the Product

*

The temperature can be set between 1-8°C for the chiller compartment and between -24 and -15°C for the freezer compartment.

8 Using The Product



Read the "Safety Instructions" section first!

5.3 Climate Class and Definitions

Please refer to the Climate Class on the rating plate of your device. One of the following information is applicable to your device according to the Climate Class.

- **SN:** Long Term Temperate Climate: This cooling device is designed for use at ambient temperatures between 10 °C and 32 °C.
- **N:** Temperate Climate: This cooling device is designed for use at ambient temperatures between 16°C and 32 °C.
- **ST:** Subtropical Climate: This cooling device is designed for use at ambient temperatures between 16°C and 38°C.
- **T:** Tropical Climate: This cooling device is designed for use at ambient temperatures between 16°C and 43°C.

Unplugging the Product

- Remove the food to prevent odours,
- Wait for the ice to melt, clean the interior and let it dry, leave the doors open to avoid damaging the inner body plastics.

Adjustable temperature values may vary provided that they are within these ranges according to product specifications.

8.1 Storing Food in Your Product

Storing Food in the Cooler and Chill Compartments

- Compartment temperatures rise prominently if compartment door is opened and closed frequently and kept open for a long time, this can reduce the life span of the food and cause the food to spoil.

- In order not to cause odour and taste changes, the food should be stored in the closed containers.
- To achieve a better and homogeneous cooling, place the food separately in a way that cold air can wander through them.
- Provide air flow by leaving a space between the food and internal wall. If you lean the food against the rear wall, the food may freeze.
- Bring cooked hot meals to the room temperature before placing them in the refrigerator. Then, you can place the tepid meal in the lower shelves of your refrigerator. Place warm foods away from perishable foods.
- Especially pay attention not to mix the foods sold as frozen with the fresh foods.
- Defrost your frozen food in the chill compartment. Thereby, you can cool the chill compartment by using frozen food and save energy.
- Storing unripe tropical fruits (mango, melon varieties, papaya, banana, pineapple) in the refrigerator may speed up the ripening process. This is not recommended because it will cause shorter storage time.
- You should store onions, garlands, ginger and other root vegetables in dark and cold room conditions, not in the refrigerator.
- If you notice that a food has spoiled in the refrigerator, throw away that food and clean the accessories which have come into contact with it.
- In order to cool the meals like soups and stews, which are cooked in the large pots, quickly, you can put them in the refrigerator by separating them into their own shallow containers.
- Place unpackaged food away from eggs.
- Keep the fruits and vegetables separately and store each variety together (for example; apples with apples, carrots with carrots).
- Take green vegetables out of the plastic bag and place them in the refrigerator after wrapping them in a paper towel or drying cloth. If you wash this type of food before placing them in the refrigerator, remember to dry them.
- You can both create a damp environment and provide an air flow by keeping fruits and vegetables, which are prone to drying, in the perforated or unsealed plastic bags.
- Except the cases where extreme circumstances are available in the environment, if your product (on the recommended set values table) is set to the specified set values, the food keep their freshness for a longer time both in the chill compartment and freezer compartment.
- Do not store cold-sensitive vegetables such as green-leaves vegetables, tomatoes, and cucumbers in the chill compartment. If you need to use the chill compartment drawers for storing vegetables, make sure the control panel of your refrigerator is set to 5°C or warmer.

Storing Food in the Chill Compartment

In the chill compartment, the temperature of the food to be stored in the product can vary between +3 °C and -3 °C. The temperature in the chill compartment may drop below 0°C, and this is not suitable for storing fresh fruits and vegetables. If you need to store fresh food in the cold drawers, make sure to set the refrigerator temperature to 5°C or warmer.

Store Foods In The Different Places According To Their Properties:

Food	Location
Egg	Door Shelf
Dairy products (butter, cheese)	If available, zero degree (for breakfast food) compartment/ chill compartment
Fruits, vegetables and greenery	Fruit-vegetable compartment, crisper or; In the fresh food compartment, in the vegetable drawer or the Everfresh+ drawer (if available), provided that the refrigerator is set to a temperature above 5°C
Fresh meat, poultry, fish, sausage etc. Cooked foods	If available, zero degree (for breakfast food) compartment/ chill compartment
Ready to serve foods, packaged products, canned foods and pickles	Top shelves or door shelf
Beverages, bottles, spices and snacks	Door Shelf

Storing Food In The Freezer Compartment

- You can activate Quick Freezing function 4-6 hours before freezing function and perform a faster cooling.
- Bring hot meals to the room temperature before placing them in the freezer compartment.
- Foods to be frozen must be divided into portions according to a size to be consumed, and frozen in separate packages.
- It is recommended to pack the foods before placing them in the freezer.
- In order to prevent expiration of storage time, write the freezing date, time and name of the product on the package according to the storage times of different foods.
- Consume the foods you have defrosted quickly. Defrosted foods cannot be frozen again unless they are cooked. It is not safe to consume the refrozen fresh foods without cooking after they are defrosted.
- As you freeze fresh foods, do not bring them in contact with already frozen foods. Otherwise, frozen foods will be defrosted.

Storing The Foods, Which Are Sold Frozen

- When storing food, follow the time periods specified in these instructions.

- In order to protect the quality of the food, keep the time interval between purchasing transaction and storing as short as possible.
- Buy frozen food which are stored at -18 °C or lower temperatures.
- Avoid buying foods whose packages are covered with ice etc. This means that the product could be partially defrosted and refrozen. Temperature impacts the quality of the food.
- Store food for manufacturer's recommended time. Remove only the food as much as you need from the freezer.
- Except the cases where extreme circumstances are available in the environment, if your product (on the recommended set values table) is set to the specified set values, the food keep their freshness for a longer time both in the fresh product compartment and freezer compartment.
- If fresh food compartment is set to a lower temperature, fresh fruits and vegetables may be partially frozen.
- The two-star compartments are suitable for pre-frozen food. Ice cream and ice cubes can be stored.
- Freeze food only in 4-star compartment.

Meat and Fish		Preparation	Longest storage time (month)		
Meat Products	Veal	Steak	By cutting them 2 cm thick and placing foil between them or wrapping tightly with stretch	6-8	
		Roast	By packing the pieces of meat in a refrigerator bag or wrapping them tightly with stretch	6-8	
		Cubes	In small pieces	6-8	
		Schnitzel, chops	By placing foil between cut slices or wrapping individually with stretch	6-8	
	Mutton	Chops	By placing foil between meat pieces or wrapping individually with stretch	4-8	
		Roast	By packing the pieces of meat in a refrigerator bag or wrapping them tightly with stretch	4-8	
		Cubes	By packing the shredded meats in a refrigerator bag or wrapping them tightly with stretch	4-8	
	Beef	Roast	By packing the pieces of meat in a refrigerator bag or wrapping them tightly with stretch	8-12	
		Steak	By cutting them 2 cm thick and placing foil between them or wrapping tightly with stretch	8-12	
		Cubes	In small pieces	8-12	
		Boiled meat	By packaging in small pieces in a refrigerator bag	8-12	
	Mince		Without seasoning, in flat bags	1-3	
	Offal (piece)		In pieces	1-3	
	Fermented sausage - Salami		It should be packaged even if it has casing.	1-3	
Ham		By placing foil between cut slices	2-3		
Poultry and hunting animals	Chicken and Turkey		By wrapping in foil	4-6	
	Goose		By wrapping in foil (portions should not exceed 2.5 kg)	4-6	
	Duck		By wrapping in foil (portions should not exceed 2.5 kg)	4-6	
	Deer, Rabbit, Roe Deer		By wrapping in foil (portions should not exceed 2.5 kg, and their bones should be separated)	6-8	
Fish and seafood	Freshwater fish (Trout, Carp, Crane, Catfish)		After thoroughly cleaning the inside and scales, it should be washed and dried, and the tail and head parts should be cut when necessary.	2	
	Lean fish (Sea bass, Turbot, Sole)			4-6	
	Fatty fish (Bonito, Mackerel, Bluefish, Red Mullet, Anchovy)			2-4	
	Shellfish			Cleaned and in bags	4-6
	Caviar			In its packaging, in an aluminium or plastic container	2-3

"The storage times specified in the table are based on the storage temperature of -18°C. "

Fruits and Vegetables	Preparation	Longest storage time (month)
String bean and Pole bean	By shock boiling for 3 minutes after washing and cutting into small pieces	10-13
Green pea	By shock boiling for 2 minutes after shelling and washing	10-12
Cabbage	By shock boiling for 1-2 minute(s) after cleaning	6-8
Carrot	By shock boiling for 3-4 minutes after cleaning and cutting into slices	12
Pepper	By boiling for 2-3 minutes after cutting the stem, dividing into two and separating the seeds	8-10
Spinach	By shock boiling for 2 minutes after washing and cleaning	6-9
Leek	By shock boiling for 5 minutes after chopping	6-8
Cauliflower	By shock boiling in a little lemon water for 3-5 minutes after separating the leaves, cutting the core into pieces	10-12
Eggplant	By shock boiling for 4 minutes after washing and cutting into 2cm pieces	10-12
Squash	By shock boiling for 2-3 minutes after washing and cutting into 2cm pieces	8-10
Mushroom	By lightly sauteing in oil and squeezing lemon on it	2-3
Corn	By cleaning and packing in cob or granular	12
Apple and Pear	By shock boiling for 2-3 minutes after peeling and slicing	8-10
Apricot and Peach	Divide in half and extract the seeds	4-6
Strawberry and Raspberry	By washing and shelling	8-12
Baked fruit	By adding 10% sugar in the container	12
Plum, Cherry, Sour Cherry	By washing and shelling the stalks	8-12

"The storage times specified in the table are based on the storage temperature of -18°C. "

Dairy Products	Preparation	Longest Storage Time (Month)	Storage Conditions
Cheese (except feta cheese)	By placing foil therebetween, in slices	6-8	It can be left in its original packaging for short term storage. For long-term storage it should also be wrapped in aluminium or plastic foil.
Butter, margarine	In its own packaging	6	In its own packaging or in plastic containers

"The storage times specified in the table are based on the storage temperature of -18°C. "

"The amount of fresh food that can be frozen for a certain period of time is specified on the type label.

Freezer Compartment Setting	Cooler Compartment Setting	Remarks
-22	4°C	These settings are recommended for general use.
Quick Freeze	4°C	Use when you want to freeze your food in a short time. When the process ends, the product's settings will return to previous position.
-18°C or colder	2°C	Use these settings if you believe the cooler compartment is not cold enough due to ambient temperature or frequently opening the door.

Quick Freezing

1. Activate the quick freezing function 24 hours before placing your fresh foods.
2. After 24 hours after pressing the button, place your food that you want to freeze on the second shelf with higher freezing capacity.
3. Once the quick freezing function is activated, it is automatically cancelled after a period of time.

Freezer Details

As per the IEC 62552 standards, the freezer must have the capacity to freeze 4,5 kg of food items at -18°C or lower temperatures at 25°C room temperature in 24 hours for each 100 litres of freezer compartment volume.

Food products can only be preserved for extended periods at or below temperature of -18 °C.

You can keep the foods fresh for months (in freezer at or below temperatures of -18 °C).

The food products to be frozen must not contact the already-frozen food inside to avoid partial defrosting.

Boil the vegetables and filter the water to extend the frozen storage time. Place the food in air-tight packages after filtering and place in the freezer. Bananas, tomatoes, lettuce, celery, boiled eggs, potatoes and similar food items should not be frozen. In case these foods are frozen, only nutritional values and eating qualities will be negatively affected. A rotting that would threaten human health is not in question.

Placing The Food

Freezer compartment shelves: Different frozen foods like meat, fish, ice cream, vegetables etc.

Cooler compartment shelves: Food items inside pots, capped plate and capped cases, eggs (in closed case)

Cooler compartment door shelves: Small and packaged food or beverages

Crisper: Vegetables and fruits

Fresh food compartment: Delicatessen (breakfast food, meat products to be consumed in short time)

8.2 Replacing the Illumination Lamp

Call the Authorized Service when the Bulb/ LED used for lighting in your refrigerator will be replaced.

Lamp(s) used in this appliance cannot be used for house lighting. Intended use of this lamp is to help the user place food into the refrigerator / freezer safely and comfortably.

8.3 Door Open Alert

The door open alert system of your refrigerator may differ depending on the model.

Version 1;

If the door of the product remains open for a certain time (between 60 s and 120 s), an audio warning signal sounds; depending on the product model, a visual warning signal (light flash) can also be displayed. If you close the door of the device or press a button on the screen of the device, if any, the warning sound will stop.

Version 2;

If the door of the device remains open for a certain period of time (between 60 s and 120 s), the door open alert is sounded. The door open alert is sounded gradually. First, an audible warning starts to sound. After 4 minutes, if the door is still not closed, a visual warning (lighting flash) is activated. The door open alert will be delayed for a certain period of time (between 60 s and 120 s) when any key on the product screen,

if any, is pressed. Then the process will start again. When the device door is closed, the door open alert will be cancelled.

8.4 Reversing the Door Opening Side

The door opening side of your refrigerator can be reversed according to the place you put it. For the products that include electronic display when you need this, you should definitely call the nearest Authorized Service.

9 Product Features**9.1 Crisper Technologies****Blue Light**

Fruits and vegetables stored in the crispers that are illuminated with a blue light continue their photosynthesis by means of the wavelength effect of blue light and thus preserve their vitamin content.

HarvestFresh

Fruits and vegetables stored in crispers illuminated with the HarvestFresh technology preserve their vitamins for a longer time thanks to the blue, green, red lights and dark cycles, which simulate a day cycle.

When the door of your refrigerator is opened during the dark period of the HarvestFresh technology, your refrigerator shall sense this automatically and illuminate the crisper with one of the blue, green or red lights respectively for your convenience. After you have closed the door of the refrigerator, the dark period will continue, representing the night time in a day cycle.

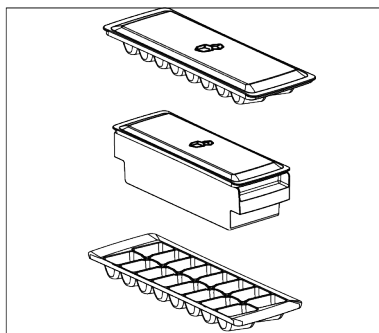
9.2 The ice storage area**Ice Container**

Ice bucket allows you take ice easily from the refrigerator.

Using the ice bucket

1. Take the ice bucket out of the freezer compartment.
2. Fill the ice bucket with water.
3. Place the ice bucket into the freezer compartment. The ice will be ready after approximately two hours.

4. Take the ice bucket from the freezer compartment and bend in slightly over the holder that you are going to serve. Ice will easily pour into the serving holder.

**9.3 Egg holder**

You can place the egg holder on the door or body shelf you wish.

If the egg holder is to be placed on the body shelf, we recommend you to choose colder lower shelves.

- Never place the egg holder on the freezer compartment.

9.4 Crisper

The refrigerator's crisper is designed to keep vegetables fresh by preserving their humidity. For this purpose, the overall cold air circulation is intensified in the crisper. Keep fruits and vegetables in this compartment. Keep the green-leaved vegetables and fruits separately to prolong their life.

9.5 Energy Management

Your fridge has an energy consumption management feature. In order to run this feature, your product must be added to the HomeWhiz application and connected to the internet.

You can follow the consumption information of your product by using the Homewhiz application Energy Management panel.

You can monitor the consumption information of your smart refrigerator product according to different time periods* and you can save money with suggestions to reduce your consumption.

- The consumption values indicated on the product label are provided under standard laboratory conditions. The consumption values shown in the HomeWhiz application are for informational purposes and may differ from the actual consumption values according to the customer's operating conditions and climatic conditions.

9.6 Artificial Intelligence (AI) Technology

CoolAdapt



Your fridge has CoolAdapt installed. To run this feature, you must add your product to the HomeWhiz app and connect it to the Internet.

You can turn the CoolAdapt technology on or off from your product's auxiliary functions page on the HomeWhiz app.

With the Autonomous Fridge technology, your product adapts to your usage habits, optimizing energy efficiency and delivering savings up to *20%.

10 Maintenance and Cleaning

Read the "Safety Instructions" first!

Before cleaning your product, unplug it or de-energize the fuse to which it is connected.

The specified saving figures are obtained under standard laboratory conditions. As a customer, your savings figures may vary according to your unique operating and climatic conditions.

9.7 Dairy Products Cold Storage Area

Cold Storage Drawer

The Cold Storage Drawer can reach lower temperatures in the cooler compartment. Use this drawer for delicatessen products (salami, sausage, etc.) and dairy products that require colder storage conditions, or for meat, chicken or fish to be consumed quickly. It is not suitable to store fruits and vegetables in this drawer.

9.8 AeroFlow

It is an air distribution system that provides homogeneous temperature distribution. With the air circulation, the homogeneous temperature distribution is ensured in the fresh food storage compartment, and the temperature fluctuations are kept at low levels. No direct air blowing over the food is realized and this helps to reduce moisture loss. It preserves the freshness of the food stored in the fresh food compartment of the refrigerator. In this way, your food is stored at more stable temperatures and the contact with air is reduced. The drying and shrinking of foods by losing moisture is prevented and freshness is provided for a longer time.

Do not place your hands, feet or metal objects under the refrigerator or between the refrigerator and the floor for whatsoever reason. Jamming may occur or any sharp edge may cause personal injuries.

- Do not use sharp or abrasive tools to clean the product. Do not use materials such as household cleaning agents, soap, detergents, gas, gasoline, thinner, alcohol, wax, etc.
- The dust shall be removed from the ventilation grill on the rear of the product at least once a year (without opening the cover). Clean the product with a dry cloth.
- Take care to keep water away from the lamp's cover and other electrical parts.
- Clean the door with a damp cloth. Remove all contents to remove the door and body racks. Remove the door racks by lifting them upwards. Clean and dry the shelves, then attach back in place by sliding from above.
- Do not use chlorinated water or cleaning products on the exterior surface and chrome coated parts of the product. Chlorine will cause rust on such metallic surfaces.
- Do not use sharp and abrasive tools, soap, house cleaning materials, detergents, gas, gasoline, varnish and similar substances to prevent deformation of and removal of prints on the plastic part. Use warm water and a soft cloth for cleaning, and then dry it.
- On the products without a No-Frost feature, water droplets and icing up to a thickness of a finger may occur on the rear wall of the cooler compartment. Do not clean, and never apply oils or similar materials.
- Use only a mildly dampened micro-fibre cloth to clean the external surface of the product. Sponges and other types of cleaning clothes may cause scratches.
- To clean all removable components during the cleaning of the interior surface of the product, wash these components with a mild solution consisting of soap, water and carbonate. Wash and dry thoroughly. Prevent contact of water with illumination components and the control panel.

- Do not use vinegar, rubbing alcohol or other alcohol based cleaning agents on any interior surface.

Stainless Steel External Surfaces

Use a non-abrasive stainless steel cleaning agent and apply it with a soft lint-free cloth. To polish, gently wipe the surface with a micro-fibre cloth dampened with water and use dry polishing chamois. Always follow the veins of the stainless steel.

Cleaning of the Products with Glass Doors

Remove the protective foil on the glasses. There is a coating on the surface of the glasses. This coating minimizes formation of stains and provides easy cleaning of the stains and dirt that have been formed. Glass without protective coating can quickly and easily become permanently bonded by organic or inorganic air and water-borne contaminants such as limestone, mineral salts, unburned hydrocarbons, metal oxides and silicones that cause staining and physical damage. Despite regularly cleaning, keeping the glass clean becomes very difficult, even if not impossible. As a result, the clarity and appearance of the glass deteriorates. Harsh and abrasive cleaning methods and compounds further exacerbate these defects and accelerate the degradation process.

For routine cleaning processes, *non-alkaline and non-corrosive water based cleaning agents shall be used.

A tempering process is applied to increase the resistance of these glasses against impacts and breakage.

As an additional safety precaution, a safety film has been applied to the rear surface of these glasses to prevent harm to the environment in case it breaks.

Preventing Odours

The product is manufactured free of any odorous materials. However, inappropriately storing food and improper cleaning of internal surfaces may lead to odours.

- To avoid this, clean the inside with carbonated water every 15 days.

- Keep the foods in sealed holders, as micro-organisms arising from foods kept in unsealed containers will cause bad odour.
- Do not keep expired and spoilt foods in the refrigerator.

Tea is one of the most effective odour removers. Place the pulp of the brewed tea in the product inside an open container and

remove it after 12 hours at the latest. If you keep the tea pulp inside the product for longer than 12 hours, it will collect the organisms that cause the odour so it can be the source of odour itself.

Protecting Plastic Surfaces

Oil spilled on plastic surfaces may damage the surface and must be cleaned immediately with warm water.

11 Troubleshooting

Read the "Safety Instructions" first!

Check this list before contacting the service. Doing so will save you time and money. This list includes frequent complaints that are not related to faulty workmanship or materials. Certain features mentioned herein may not apply to your product.

If the problem persists after following the instructions in this section, contact your vendor or an Authorized Service. Do not try to repair the product.

The refrigerator is not working.

- The power plug is not fully settled. >>> Plug it in to settle completely into the socket.
- The fuse connected to the socket powering the product or the main fuse is blown. >>> Check the fuse.

Condensation on the side wall of the cooler compartment (MULTI ZONE, COOL CONTROL and FLEXI ZONE).

- The door is opened too frequently. >>> Take care not to open the product's door too frequently.
- The environment is too humid. >>> Do not install the product in humid environments.
- Foods containing liquids are kept in unsealed holders. >>> Keep the foods containing liquids in sealed holders.
- The product's door is left open. >>> Do not keep the product's door open for long periods.
- The thermostat is set to a very cool temperature. >>> Set the thermostat to an appropriate temperature.

Compressor is not working.

- In case of sudden power failure or pulling the power plug off and putting back on, the gas pressure in the product's cooling system is not balanced, which triggers the compressor thermic safeguard. The product will restart after approximately 6 minutes. If the product does not restart after this period, contact the service.
- Defrosting is active. >>> This is normal for a fully-automatic defrosting product. The defrosting is carried out periodically.
- The product is not plugged in. >>> Make sure the power cord is plugged in.
- The temperature setting is incorrect. >>> Select the appropriate temperature setting.
- The power is out. >>> The product will continue to operate normally once the power is restored.

The refrigerator's operating noise is increasing while in use.

- The product's operating performance may vary depending on the ambient temperature variations. This is normal and not a malfunction.

The refrigerator runs too often or for too long.

- The new product may be larger than the previous one. Larger products will run for longer periods.
- The room temperature may be high. >>> The product will normally run for long periods in higher room temperature.
- The product may have been recently plugged in or a new food item is placed inside. >>> The product will take longer to

reach the set temperature when recently plugged in or a new food item is placed inside. This is normal.

- Large quantities of hot food may have been recently placed into the product. >>> Do not place hot food into the product.
- The doors were opened frequently or kept open for long periods. >>> The warm air moving inside will cause the product to run longer. Do not open the doors too frequently.
- The freezer or cooler door may be ajar. >>> Check that the doors are fully closed.
- The product may be set to a temperature that is too low. >>> Set the temperature to a higher degree and wait for the product to reach the adjusted temperature.
- The cooler or freezer door washer may be dirty, worn out, broken or not properly settled. >>> Clean or replace the gasket. Damaged / torn door washer will cause the product to run for longer periods to preserve the current temperature.

The freezer temperature is very low, but the cooler temperature is adequate.

- The freezer compartment temperature is set to a very low degree. >>> Set the freezer compartment temperature to a higher degree and check again.

The cooler temperature is very low, but the freezer temperature is adequate.

- The cooler compartment temperature is set to a very low degree. >>> Set the cooler compartment temperature to a higher degree and check again.

The food items kept in cooler compartment drawers are frozen.

- The cooler compartment temperature is set to a very low degree. >>> Set the cooler compartment temperature to a higher degree and check again.

The temperature in the cooler or the freezer is too high.

- The cooler compartment temperature is set to a very high degree. >>> Temperature setting of the cooler compartment

has an effect on the temperature in the freezer compartment. Wait until the temperature of relevant parts reach the sufficient level by changing the temperature of cooler or freezer compartments.

- The doors were opened frequently or kept open for long periods. >>> Do not open the doors too frequently.
- The door may be ajar. >>> Fully close the door.
- The product may have been recently plugged in or a new food item is placed inside. >>> This is normal. The product will take longer to reach the set temperature when recently plugged in or a new food item is placed inside.
- Large quantities of hot food may have been recently placed into the product. >>> Do not place hot food into the product.

Shaking or noise.

- The surface is not flat or durable >>> If the product is shaking when moved slowly, adjust the stands to balance the product. Also make sure the ground is sufficiently durable to bear the product.
- Any items placed on the product may cause noise. >>> Remove any items placed on the product.
- The product is making noise of liquid flowing, spraying etc.
- The product's operating principles involve liquid and gas flows. >>> This is normal and not a malfunction.

There is sound of wind blowing coming from the product.

- The product uses a fan for the cooling process. This is normal and not a malfunction.

There is condensation on the product's internal walls.

- Hot or humid weather will increase icing and condensation. This is normal and not a malfunction.
- The doors were opened frequently or kept open for long periods. >>> Do not open the doors too frequently; if open, close the door.

- The door may be ajar. >>> Fully close the door.

There is condensation on the product's exterior or between the doors.

- The ambient weather may be humid, this is quite normal in humid weather. >>> The condensation will dissipate when the humidity is reduced.

The interior smells bad.

- The product is not cleaned regularly. >>> Clean the interior regularly using sponge, warm water and carbonated water.
- Certain holders and packaging materials may cause odour. >>> Use holders and packaging materials without free of odour.
- The foods were placed in unsealed holders. >>> Keep the foods in sealed holders. Micro-organisms may spread out of unsealed food items and cause bad odour.
- Remove any expired or spoilt foods from the product.

The door is not closing.

- Food packages may be blocking the door. >>> Relocate any items blocking the doors.

- The product is not standing in full upright position on the ground. >>> Adjust the stands to balance the product.
- The surface is not flat or durable >>> Make sure the surface is flat and sufficiently durable to bear the product.

The crisper is jammed.

- The food items may be in contact with the upper section of the drawer. >>> Re-organize the food items in the drawer.

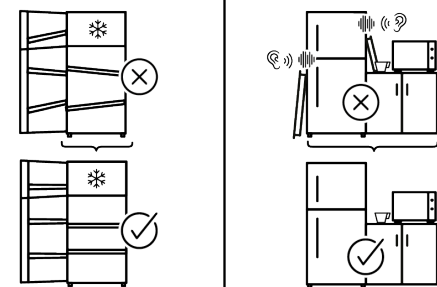
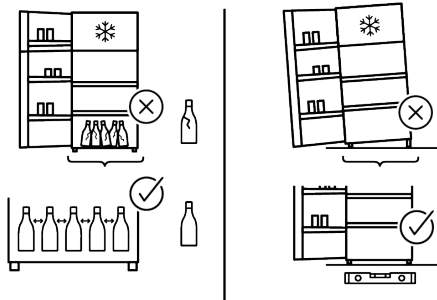
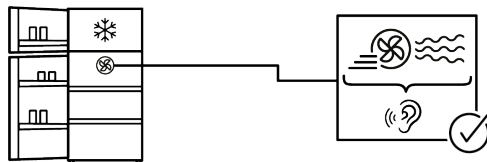
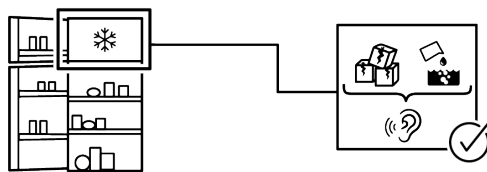
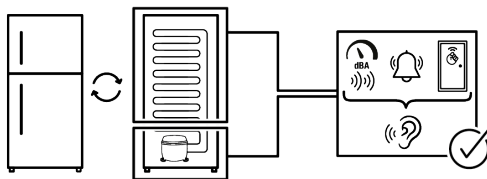
Temperature on the product surface.

- High temperature may be observed between two doors, on the side panels and on the rear grill area while your product is operated. This is normal and it does not require servicing.

Fan continues to operate when the door is opened.

- Fan may continue to operate when the freezer door is open.

If the problem persists after following the instructions in this section, contact your vendor or an Authorized Service. Do not try to repair the product. This is normal.



DISCLAIMER / WARNING

Some (simple) malfunctions may be repaired by end users without creating any safety issue or causing unsafe usage provided that they are carried out under the following instructions. (Please see the section "I Want to Repair Myself".)

For this reason, except for parts specified at the section "I Want to Repair Myself" as could be repaired by end users, repair by an authorized service station is definitely suggested for the purpose of preventing any safety issues and this is required so that Beko product warranty may continue.

I WANT TO REPAIR MYSELF

Repair that will be carried out by end users can be performed within the following spare parts: Door Handles and Door Hinges, Door Joints and peripheral Trays, Baskets, Racks. (You may have access to current list of spare parts from <https://www.beko.com.tr/destek> as of 1 March 2021) Further, in order to ensure product safety and to prevent risk of severe injuries, repair has to be carried out according to instructions from user manual or <https://www.beko.com.tr/destek> For your own safety, please unplug product prior to carrying out any repair. Beko may not be held responsible for safety issues that may arise because of repairs or attempts not carried out in accordance with instructions specified at user manuals or located at <https://www.beko.com.tr/destek> and performed on parts other than parts contained at current list of parts accessed from <https://www.beko.com.tr/destek> . In such a case, Beko product warranty will be invalid.

For this reason, we strongly recommend end users to avoid carrying out repairs for parts other than above-mentioned spare parts themselves and apply to an authorized service station in case of requirement. Such repair attempts by end users may cause safety issues, may damage product and may cause fire, flood, electrocution and severe personal injuries afterwards.

Including but not limited to the listed items, repairs of the following parts have to be performed by authorized service stations: Compressor, Cooling system elements, Motherboard, Inverter card, Display card, etc. Manufacturer/dealer may not be held responsible for any circumstances where end users fail to act in accordance with the foregoing.

This product is equipped with a lighting source of the "G" energy class.

The lighting source in this product shall only be replaced by professional repairers.



Considerations Regarding Errors of Use and Warranty

Рассмотрение ошибок использования и гарантии

الاعتبارات المتعلقة بأخطاء الاستخدام والضمان

The following defects can be rectified for a fee. Warranty conditions do not apply for any of these cases;

1. Damages and malfunctions caused by errors in use,
2. Damages and malfunctions during loading, unloading, transport, etc. following the delivery of the goods to the consumer,
3. Damages and malfunctions arising from the electricity (socket, voltage, grounding, etc.), water (water pressure, tap, etc.), natural gas, telephone, internet, etc. network and / or infrastructure (drain, floor, environment, etc.) of the location where the goods are used,
4. Damages and malfunctions caused by Acts of God, fire, flood, etc,
5. Damages and malfunctions arising from the use of the goods contrary to the issues in the description and user manuals,
6. Damages and malfunctions arising from the use of the goods for commercial or professional purposes as defined in the Law No. 6502 on the Protection of Consumers,
7. In the event of maintenance, repair or any other intervention to the goods by unauthorised persons, the warranty given to the goods shall expire.

The warranty period of the goods replaced during the warranty application is limited to the remaining warranty period of the purchased goods.

Manufactured by Arçelik A.Ş.

Origin: Turkey

Пожалуйста, сперва прочтите это руководство!

Уважаемый покупатель,

Благодарим за приобретение этой продукции Веко.

Мы хотим, чтобы вы добились оптимальной эффективности от этого высококачественного продукта, который был произведен с использованием новейших технологий. Для этого внимательно прочтите это руководство и любую другую документацию, предоставленную перед использованием изделия.

Обратите внимание на всю информацию и предупреждения в руководстве пользователя. Таким образом вы защитите себя и свой продукт от возможных опасностей. Сохраните руководство пользователя. Приложите это руководство к устройству, если вы передадите его кому-то другому.

В руководстве пользователя и на изделии используются следующие символы:



Прочитайте руководство пользователя.



Опасность, которая может привести к смерти или травме.

<p>ÜRETİCİ İSMİ MODEL TANIMI (*)</p> <p>A</p>	<p>Вы можете получить доступ к технической информации о изделии, отсканировав QR-код на этикетке энергоэффективности с помощью мобильного устройства, подключенного к Интернету.</p>
---	--


1	Инструкции по технике безопасности	38
1.1	Важные предупреждения по технике безопасности	38
1.2	Назначение использования	38
1.3	Безопасность для детей, уязвимых лиц и домашних животных	39
1.4	Электробезопасность	39
1.5	Безопасность при обращении ..	40
1.6	Безопасность установки.....	41
1.7	Эксплуатационная безопасность	44
1.8	Безопасность хранения продуктов	47
1.9	Безопасность технического обслуживания и очистки.....	48
1.10	Освещение	49
1.11	Утилизация изделия	49
1.12	Техническая информация о Bluetooth + Wi-fi.....	50
2	Инструкции по окружающей среде	51
2.1	Соответствие нормам WEEE и утилизации отходов.....	51
2.2	Информация об упаковке.....	51
3	Ваш холодильник	51
4	Установка	52
4.1	Подходящее место для установки	52
4.2	Установка пластиковых клиньев.....	53
4.3	Регулировка ножек	53
4.4	Предупреждение о горячей поверхности	53
5	Подготовка	53
5.1	Как экономить электроэнергию	54
5.2	Первое использование.....	54
5.3	Климатический класс и определения	55
6	Эксплуатация устройства	55
7	Панель управления изделия	55
8	Эксплуатация устройства	55
8.1	Хранение продуктов	55
8.2	Замена лампы подсветки.....	61


8.3	Предупреждение об открытой двери	61
8.4	Изменение стороны открывания двери	61
9	Особенности продукта	61
9.1	Технологии Crisper	61
9.2	Зона хранения льда	61
9.3	Держатель яиц.....	62
9.4	Ящик для фруктов и овощей	62
9.5	Управление потреблением энергии	62
9.6	Технология искусственного интеллекта (ИИ)	62
9.7	Место для хранения молочных продуктов в охлажденном виде	63
9.8	AeroFlow	63
10	Обслуживание и очистка	63
11	Устранение неисправностей	64


1 Инструкции по технике безопасности


- В этой секции содержатся инструкции по безопасности, необходимые для предотвращения риска получения травм и материального ущерба.
- Наша компания не будет нести ответственность за ущерб, который может возникнуть в случае несоблюдения этих инструкций.
- Работы по установке и ремонту всегда должна выполнять авторизованная служба, одобренная производителем.
- Используйте только оригинальные запчасти и аксессуары.
- Не проводите ремонт и замену каких-либо частей устройства, если это явно не сказано в руководстве пользователя.
- Не вносите никаких изменений в устройство.


1.1 Важные предупреждения по технике безопасности


 Опасность поражения электрическим током!

 Прочитайте руководство пользователя.

 Опасность, способная привести к ожогам из-за контакта с горячими поверхностями.

 Горючий материал, предупреждение об опасности возгорания.

 Опасность получения травмы из-за контакта с острыми поверхностями!

 Риск УФ-С-излучения

1.2 Назначение использования

- Данное изделие не предназначено для коммерческого использования и не должно использоваться в целях, отличных от предполагаемого использования.
- Это устройство предназначено для эксплуатации в помещениях, к примеру, в домашнем хозяйстве и т. д.

Например:

на кухнях для персонала магазинов, офисов и других рабочих помещениях, в фермерских домах, гостиницах, мотелях и иных местах отдыха, которые используются клиентами, в общежитиях или аналогичных помещениях,

в сфере общественного питания и аналогичных некоммерческих сферах.

- Это устройство нельзя использовать в открытых и закрытых помещениях, таких как судна, дома на колесах, балконы или террасы. Воздействие на устройство дождя, снега, солнечного света и ветра может привести к возгоранию.

1.3 Безопасность для детей, уязвимых лиц и домашних животных



- Этим устройством могут пользоваться дети в возрасте 8 лет и старше, а также люди с неполноценными физическими, сенсорными или умственными способностями либо с недостатком опыта и знаний, если они находятся под наблюдением либо были проинструктированы относительно безопасного использования устройства и связанных с ним опасностей.
- Детям в возрасте от 3 до 8 лет разрешается класть и выносить продукты из холодильника.
- Детям и домашним животным запрещено играть с устройством, забираться на него или входить в него.

- Детей и домашних животных следует держать подальше от зоны кабины (компрессора), где расположены электрические части.
- Детям запрещено выполнять чистку и техническое обслуживание, если за ними не присматривают.
- Храните упаковочные материалы в недоступном для детей месте. Риск травмы и удушья.
- Если на дверце продукта есть замок, храните ключ в недоступном для детей месте.



1.4 Электробезопасность

- Устройство не должно быть подключено к розетке во время монтажа, технического обслуживания, очистки, ремонта и транспортировки. Если шнур питания поврежден, он должен быть заменен только авторизованным сервисом, во избежание любого риска, который может возникнуть.
- Не засовывайте шнур питания под устройство или за его заднюю часть. Не кладите на шнур питания тяжелые предметы. Шнур питания нельзя гнуть, давить и он не должен контактировать с источниками тепла.

- Используйте только оригинальный кабель. Не используйте обрезанные или поврежденные кабели.
- Не используйте удлинитель, мульти-вилку или адаптер для работы с вашим устройством.
- Портативные многополюсные вилки и портативные источники питания могут перегреться и привести к возгоранию. Таким образом, не устанавливайте портативные источники питания позади или вблизи устройства.
- Перед подключением изделия к источнику питания отсоедините кабель питания от крюка конденсатора (при наличии) во время установки.
- Пользователь не должен иметь доступа к электрическим частям после установки.
- Не подключайте шнур питания устройства к ослабленной или поврежденной розетке. Эти типы соединений могут перегреваться и вызывать пожар.
- Должен быть легкий доступ к вилке. Если это невозможно, в электроустановке должен быть предусмотрен механизм, соответствующий законодательству в области электротехники и отключающий все клеммы от сети (предохранитель, выключатель, главный выключатель и т.д.).
- Изделием нельзя управлять с помощью внешнего переключающего устройства, такого как таймер или система дистанционного управления.
- Не используйте изделие, если у вас босые ноги или мокрое тело.
- Не касайтесь вилки мокрыми руками.
- Вынимая вилку из розетки, держитесь не за шнур, а за вилку.
- Убедитесь, что вилка не мокрая, не грязная или не пыльная.
- Никогда не подключайте холодильник к энергосберегающим устройствам. Такие системы вредны для устройства.



1.5 Безопасность при обращении

- Перед перемещением изделия обязательно отключите его от сети.
- Устройство тяжелое, не обращайтесь с ним самостоятельно. Если изделие упадет на вас, возможно получение травмы. Не натывайтесь на попадающиеся по пути предметы и не роняйте изделие во время транспортировки.

- Во время транспортировки всегда закрывайте дверцы и не держите изделие за дверцы.
- Будьте осторожны, чтобы не повредить систему охлаждения и трубы при обращении с устройством. Не используйте устройство, если трубы повреждены, и обратитесь в авторизованный центр.

1.6 Безопасность установки

- Для того, чтобы подготовить устройство к использованию, ознакомьтесь с информацией в руководстве по установке и эксплуатации и убедитесь, что электрические и водопроводные сети соответствуют требованиям. В противном случае вызовите квалифицированного электрика и сантехника для принятия необходимых мер.
- **Иначе будет риск поражения электрическим током, пожара, проблем с изделием или травмирования.**
- Перед началом установки выключите предохранитель, чтобы обесточить линию питания, к которой подключено изделие.
- Изделие должно устанавливаться двумя и более людьми. При извлечении изделия из упаковки и установке используйте защитные перчатки.
- Это изделие предназначено для использования при максимальной высоте 2000 метров над уровнем моря.
- Не допускайте детей к месту установки.
- Перед установкой проверьте устройство на наличие повреждений. Не устанавливайте устройство, если оно повреждено.
- Во время установки, технического обслуживания и ремонта изделия всегда используйте средства индивидуальной защиты (перчатки и т. д.). Риск получения травмы.
- Не устанавливайте и не оставляйте изделие в местах, где оно может подвергаться воздействию внешних температур окружающей среды.
- Установите устройство на чистую, ровную и твердую поверхность и сбалансируйте его регулируемыми ножками (вращая передние ножки вправо или влево). В противном случае холодильник может опрокинуться и привести к травмам.
- Соблюдайте осторожность, чтобы не повредить пол (облицовка плиткой и т. д.) при

перемещении изделия. Установите изделие на пол или обеспечьте достаточную опору в зависимости от размера, веса и варианта использования изделия. Убедитесь, что изделие не находится рядом с источником тепла, а все четыре ноги устойчивы и прислонены к полу. При необходимости установите изделие и убедитесь, что оно расположено горизонтально, используя пузырьковый уровень. Чтобы обеспечить полную эффективность контура хладагента, подождите не менее двух часов перед эксплуатацией изделия.

- Устройство следует устанавливать в сухом и вентилируемом помещении. Не кладите ковры, коврики и аналогичные напольные покрытия под устройством. Может привести к возгоранию из-за недостаточной вентиляции!
- Не блокируйте и не покрывайте вентиляционные отверстия. В противном случае потребление энергии увеличится, и ваше изделие повредится.
- Оставьте достаточно места по бокам и выше, чтобы обеспечить достаточную вентиляцию. Зазор между задней панелью и стеной за

изделием должен быть не менее 50 мм, чтобы предотвратить нагревание поверхностей. Сокращение этого пространства увеличит энергопотребление изделия.

- При размещении изделия убедитесь, что кабель питания не поврежден и не заземлен.
- Изделие нельзя подключать к системам электропитания и источникам питания, которые могут вызвать резкие изменения напряжения (например, портативный источник питания на солнечной энергии). В противном случае может произойти повреждение вашего устройства в результате резких колебаний напряжения!
- Чем больше хладагента содержится в холодильнике, тем больше должно быть помещение для его установки. В очень маленьких помещениях в случае утечки газа в системе охлаждения может возникнуть воспламеняющаяся газовоздушная смесь. На каждые 8 граммов хладагента требуется не менее 1 м³ объема. Количество хладагента, доступного в вашем устройстве, указано на этикетке типа.

- Изделие ни в коем случае нельзя размещать таким образом, чтобы силовые кабели, металлический шланг газовой плиты, металлические газовые или водопроводные трубы соприкасались с задней стенкой изделия (или конденсатором).
- Место установки устройства не должно подвергаться воздействию прямых солнечных лучей и не должно находиться вблизи источников тепла, таких как печи, радиаторы и т.д. В случае, если вы не способны предотвратить установку устройства вблизи источника тепла, используйте подходящую изоляционную пластину и убедитесь, что минимальное расстояние до источника тепла такое, как указано ниже:
 - На расстоянии не менее 30 см от источников тепла, таких как плиты, духовки, отопительные приборы и обогреватели и т.д.,
 - И не менее 5 см от электрических духовок.
- Ваше устройство имеет класс защиты I.
- Подключите устройство к заземленной розетке, которая соответствует значениям напряжения, тока и частоты, указанным на заводской табличке. В розетке должен быть предохранитель на 10–16 А. Наша компания не несет ответственности за какие-либо повреждения, возникшие в результате использования устройства без заземления и невыполнения местных и национальных норм при подключении холодильника к электросети.
- При установке кабель питания устройства должен быть отключен от электросети. В противном случае может возникнуть опасность поражения электрическим током и получения травм!
- Не подключайте устройство к незакрепленным, сломанным, грязным, засаленным розеткам или розеткам, которые вышли из гнезд или гнезд с риском попадания воды. Эти типы соединений могут перегреваться и вызывать пожар.
- Расположите шнур питания и шланги (если таковые имеются) устройства таким образом, чтобы они приводили к опрокидыванию.
- Попадание влаги и жидкости на токоведущие части или на шнур питания может привести к короткому замыканию. Соответственно, не используйте устройство во влажной среде или в местах, где мо-

жет брызгать вода (к примеру, гараж, прачечная и т.д.). Если холодильник намок от воды, отключите его от сети и обратитесь в сервисный центр.

- Никогда не подключайте холодильник к энергосберегающим устройствам. Такие системы вредны для устройства.
- При снятии крышки электронной платы и задней крышки компрессора (если она установлена) существует риск соприкосновения с электрическими частями. Не снимайте крышку электронной платы и заднюю крышку компрессора (если она установлена). Существует риск получения смертельного электропоражения!

1.7 Эксплуатационная безопасность

- Никогда не используйте на устройстве химические растворители. Эти материалы могут привести к взрыву.
- В случае неисправности устройства отключите его от сети (или обесточьте предохранитель, к которому он подключен) и не включайте, пока оно не будет отремонтировано в авторизованном сервисном центре.
- Существует опасность поражения электрическим током!
- Не помещайте пламя (зажженную свечу, сигарету и т.д.) или источники тепла (утюг, варочную панель, духовку и т.д.) на изделие или рядом с ним. Не размещайте легковоспламеняющиеся/ взрывоопасные материалы рядом с изделием...
- Не вставляйте на устройство. Опасность падения и травм!
- Не наносите повреждения трубам системы охлаждения с помощью острых и колющих инструментов. Хлад-агент, который распространяется в случае прокола газовых труб, удлинителей труб или покрытий верхней поверхности, может вызвать раздражение кожи и повреждение глаз.
- Не разбирайте контур охлаждающей жидкости и не повреждайте его. Риск взрыва.
- Не размещайте и не используйте электроприборы внутри холодильников/морозильных камер, если таковое не рекомендовано производителем.
- Не используйте для ускорения размораживания какие-либо иные процедуры, кроме рекомендованных производителем.

- Соблюдайте осторожность, чтобы какие-либо части рук или тела не были зажаты движущимися частями внутри устройства. Будьте внимательны, чтобы не зажать пальцы между холодильником и его дверцей. Будьте внимательны, открывая или закрывая дверь, если рядом есть дети.
- Не употребляйте мороженое, кубики льда или замороженные продукты, как только достанете их из морозилки. Риск обморожения!
- Не прикасайтесь мокрыми руками к внутренним стенкам, металлическим частям морозильной камеры или продуктам, хранящимся внутри морозильника. Риск обморожения!
- Не помещайте банки с газировкой, банки и бутылки, содержащие жидкости, которые могут быть заморожены, в морозильную камеру. Банки и бутылки могут лопнуть. Риск получения травм и материального ущерба!
- Не используйте и не размещайте вблизи холодильника материалы, которые чувствительны к температуре, такие как легковоспламеняющиеся аэрозоли и предметы, сухой лед либо иные химические вещества. Опасность возникновения пожара и взрыва!
- Не храните взрывчатые вещества, такие как аэрозольные баллончики с легковоспламеняющимися материалами внутри холодильника.
- Не ставьте банки с жидкостями поверх холодильника в открытом состоянии. Попадание воды на электрическую деталь может привести к поражению электрическим током или возгоранию.
- Из-за риска разбивания не храните стеклянные контейнеры с жидкостью в морозильном отделении.
- Данное устройство не предназначено для хранения и охлаждения лекарственных средств, плазмы крови, лабораторных препаратов или аналогичных материалов и изделий, подпадающих под Директиву о медицинских изделиях.
- Если устройство не используется по назначению, это может привести к повреждению или порче продуктов.
- Если ваш холодильник оснащен синим светом, не смотрите на этот свет с помощью оптических приборов. Не смотрите прямо на УФ-светодиоды в течение долгого

времени. Ультрафиолетовые лучи могут привести к напряжению глаз.

- Не заполняйте холодильник большим количеством продуктов, нежели его вместимость. Не используйте для ускорения размораживания какие-либо иные процедуры, кроме рекомендованных производителем. Травмы и повреждения могут возникнуть, если содержимое холодильника упадет при открытии дверцы. Такие же проблемы также могут возникнуть при размещении предмета поверх холодильника.
 - Убедитесь, что вы удалили лед и воду, которые могли упасть на пол для предотвращения травм.
 - Поменяйте расположение полок/полок для бутылок на дверце вашего холодильника, пока полки пустые. Опасность получения травм!
 - Не кладите на устройство предметы, которые могут упасть или опрокинуться. Предметы могут упасть при открывании или закрывании двери и привести к травмам и/или материальному ущербу.
 - Не ударяйте и не оказывайте чрезмерного давления на стеклянные поверхности.
- Разбитое стекло может привести к травмам и/или материальному ущербу.
- В случае изделий, в которых предусмотрено использование воздушного фильтра внутри доступной крышки вентилятора, фильтр всегда должен быть на месте во время работы холодильника.
 - Не загромождайте вентилятор (при наличии) едой.
 - Поврежденные уплотнительные прокладки должны быть заменены как можно скорее.
 - Ваше изделие может иметь специальные отсеки (отсек для свежих продуктов, отсек для нулевых градусов и т. д.). Если иное не указано в соответствующем руководстве по эксплуатации изделия, эти отсеки могут быть удалены, и изделие может использоваться с той же производительностью.
 - Система охлаждения вашего холодильника содержит хладагент R600a. Тип хладагента, используемого в холодильнике, указан на этикетке типа. Этот газ легко воспламеняем. По этой причине будьте осторожны, чтобы не повредить систему охлаждения и трубы во время эксплуатации устройства. В случае повреждения труб:

1. Не прикасайтесь к устройству или кабелю питания.
2. устройство вдали от потенциальных источников огня, которые могут привести к возгоранию холодильника.
3. Проветрите помещение, в котором находится изделие. Не используйте вентилятор.
4. Обратитесь в авторизованную службу.

Перед утилизацией старых продуктов, которые больше не должны использоваться:

1. Отсоедините шнур питания от сетевой розетки.
2. Перережьте шнур питания и выньте его из прибора вместе с вилкой.
3. Не снимайте стойки и ящики с устройства, чтобы дети не могли попасть внутрь прибора.
4. Снимите двери.
5. Храните устройство так, чтобы его невозможно было опрокинуть.
6. Не позволяйте детям играть с утилизированным устройством.
7. Если холодильник поврежден и вы заметили утечку газа, пожалуйста, держитесь подальше от газа. Газ может вызвать обморожение при попадании на кожу.

- Не утилизируйте устройство, помещая его в огонь. Опасность взрыва.
- Если на дверце продукта есть замок, храните ключ в недоступном для детей месте.



1.8 Безопасность хранения продуктов

Пожалуйста, обратите внимание на следующие предупреждения, чтобы избежать порчи пищевых продуктов:

- Если оставить двери открытыми в течение длительного времени, температура внутри изделия может повыситься.
- Регулярно очищайте доступные дренажные системы, контактирующие с пищевыми продуктами.
- Очищайте резервуары для воды, которые не использовались в течение 48 часов, и системы подачи воды, которые не использовались в течение более 5 дней.
- Храните сырое мясо и рыбные продукты в соответствующих отсеках внутри изделия. Таким образом оно не будет капать на другие продукты и не будет соприкасаться с ними.
- Двухзвездочные морозильные камеры используются для хранения предваритель-

но заправленных продуктов, изготовления и хранения льда и мороженого.

- Однозвездочные, двухзвездочные и трехзвездочные отсеки не подходят для замораживания свежих продуктов.
- Если охлаждающее изделие будет оставлено пустым в течение длительного времени, выключите его, разморозьте, очистите и высушите, чтобы защитить его корпус.
- После размещения продуктов проверьте, правильно ли закрыты люки отсека, и особенно дверца морозильной камеры.
- Используйте холодильную камеру для хранения свежих продуктов и морозильную камеру для хранения замороженных продуктов, замораживания свежих продуктов и приготовления кубиков льда.
- Не храните продукты без надлежащей изолирующей упаковки в холодильнике и морозильных камерах, чтобы предотвратить прямой контакт с внутренними поверхностями.



1.9 Безопасность технического обслуживания и очистки

- Отключайте холодильник или обесточьте предохранитель, к которому он подключен, перед очисткой или началом технического обслуживания.
- Не тяните за дверь или дверную ручку, если вам необходимо переместить холодильник в целях чистки. Если за ручку двери слишком сильно потянуть, это может привести к травмам.
- Не помещайте руки, ноги или металлические предметы под или за изделием. Может произойти зажимание, или любой острый край может привести к травмам.
- Не мойте внутреннюю или внешнюю часть изделия с помощью мойки высокого давления, пара, распыленной воды или наливаемой воды. Опасность поражения электрическим током и пожара.
- При очистке изделия не используйте острые и абразивные инструменты или бытовые чистящие средства, моющие средства, газ, бензин, разбавитель, спирт, лак и аналогичные вещества. Используйте чистящие и обслужи-

живающие средства, которые не вредны для пищевых продуктов, внутри холодильника.

- Не используйте бумажные полотенца, кухонные губки или другие твердые чистящие средства.
- Никогда не используйте пар и пропаренные чистящие средства для очистки холодильника и размораживания льда внутри него. Пар будет контактировать с областями, находящимися под напряжением в вашем холодильнике, и может вызвать короткое замыкание или поражение электрическим током.
- Не используйте какие-либо механические инструменты или любые другие инструменты, кроме рекомендаций производителя, для ускорения операции размораживания.
- Следите за тем, чтобы вода не попадала на вентиляционные отверстия, электронные схемы или освещение холодильника. В противном случае может возникнуть возгорание или поражение электрическим током.
- Пользуйтесь чистой сухой тканью для удаления пыли или посторонних материалов с кончиков заглушек. Не используйте влажный кусок

ткани для очистки вилки. В противном случае может возникнуть возгорание или поражение электрическим током.

1.10 Освещение

Обратитесь в авторизованный сервисный центр, когда вам нужно заменить светодиод/лампочку, используемую для освещения.

1.11 Утилизация изделия

При утилизации старого изделия следуйте приведенным ниже инструкциям:

- Во избежание случайного запираания детей в изделии, при наличии дверного замка, приведите его в нерабочее состояние.
- Брызги охлаждающей жидкости вредны для глаз. Не повреждайте никакие части системы охлаждения при утилизации изделия.
- Если компрессорное масло будет проглочено или попадет в дыхательные пути, это может привести к летальному исходу.
- Система охлаждения вашего изделия включает газ R600a, как указано на маркировочной табличке. Этот газ легко воспламеняем. Не утилизи-

руйте устройство, помещая его в огонь. Опасность взрыва!

- С-пентан используется в качестве вспенивателя в изоляционной пене и является

легковоспламеняющимся веществом. Не утилизируйте устройство, помещая его в огонь.



1.12 Техническая информация о Bluetooth + Wi-fi

Частотный диапазон:	2,4 ГГц (функционирует по Wi-Fi или Bluetooth)
Макс. мощность передачи:	< 100 мВт (функционирует по Wi-Fi или Bluetooth)
Подробные данные о программном обеспечении:	Quartz_WiFi.XXX

Декларация о соответствии ЕС:

Arçelik A.Ş. заявляет, что данное изделие соответствует директиве 2014/53/ЕС.

Полный вариант декларации о соответствии ЕС доступен на следующем сайте:

Продукция, адрес:
support.beko.com

Обозначенным периодом поддержки обновления программного обеспечения, связанного с кибербезопасностью, является гарантийный период изделия. После этого обновления ПО, связанные с кибербезопасностью, не гарантируются.

2 Инструкции по окружающей среде

2.1 Соответствие нормам WEEE и утилизации отходов

Это изделие не содержит опасных и запрещенных веществ, указанных в «Правилах надзора за отходами электрического и электронного оборудования», опубликованных Министерством окружающей среды и городского планирования Турции.



Соответствует требованиям директивы ЕС об отходах электрического и электронного оборудования (WEEE).

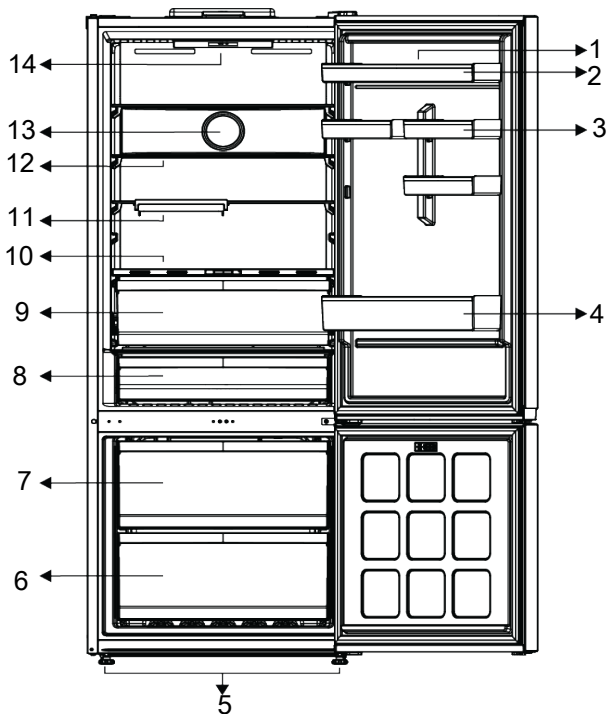
Этот прибор был изготовлен из перерабатываемых и многоразовых деталей и материалов высокого качества. Следовательно не выбрасывайте изделие вместе с обычными бытовыми отходами по истечении срока службы. Доставьте его в центр сбора и утилизации электрического и элек-

тронного оборудования. Для получения информации об этих пунктах сбора обратитесь в местные органы власти. Вы можете помочь защитить окружающую среду и природные ресурсы, сдавая использованные изделия на переработку.

CE **Соответствие стандартам и информации об испытаниях / Декларация о соответствии ЕС**
Этапы разработки, производства и продажи этого продукта соответствуют правилам безопасности во всех соответствующих руководствах Европейского сообщества. 2014/35/EU, 2014/30/EU, 93/68/EC, IEC 60436/DIN 44990, EN 50242

2.2 Информация об упаковке

3 Ваш холодильник



- | | |
|----------------------------------|--|
| 1 * Регулируемые полки на дверце | 2 Держатель яиц |
| 3 * Маленькая дверная полка | 4 * Полка для бутылок |
| 5 Регулируемые ножки | 6 Ящики морозильной камеры |
| 7 Контейнер льдогенератора | 8 * Ящик для хранения в охлажденном виде |
| 9 Ящик для фруктов и овощей | 10 * Контейнер с контролируемой влажностью |
| 11 * Складной винный стеллаж | 12 * Регулируемая стеклянная полка |
| 13 Вентилятор | 14 Освещение |

* **Дополнительно:** Рисунки в данном руководстве по эксплуатации могут не полностью соответствовать характеристикам вашего устройства. Если в вашем

устройстве нет соответствующих деталей, информация относится к другим моделям.

4 Установка

Сначала прочтите раздел «Инструкции по технике безопасности»!

4.1 Подходящее место для установки

Обратитесь в авторизованный центр для установки устройства. Для того, чтобы подготовить устройство к установке, ознакомьтесь с информацией в руко-

водстве пользователя и убедитесь, что электрические и водопроводные сети соответствуют требованиям. В противном случае вызовите электрика и сантехника для принятия необходимых мер.

- Поместите изделие на ровную поверхность, чтобы не избежать вибраций
- Расположите изделие на расстоянии не менее 30 см от обогревателей, плит и аналогичных источников тепла и не менее 5 см от электрических духовок.
- При установке рядом двух холодильников оставьте расстояние между двумя устройствами должно быть не менее 4 см.
- Храните изделие в сухом месте, защищенном от воздействия прямых солнечных лучей.
- Для эффективной работы вашего изделия необходима достаточная циркуляция воздуха. При установке изделия в нише необходимо обеспечить зазор не менее 5 см между изделием, потолком, задней и боковыми стенами.
- Убедитесь, что защитный элемент зазора у задней стены установлен в предназначенное для него место (если он входит в комплектацию изделия).
- Если элемент отсутствует, утерян или отломан, изделие необходимо устанавливать таким образом, чтобы между его задней поверхностью и стеной помещения оставался зазор не менее 5 см. Зазор у задней стены необходим для эффективной работы изделия.

4.2 Установка пластиковых клиньев

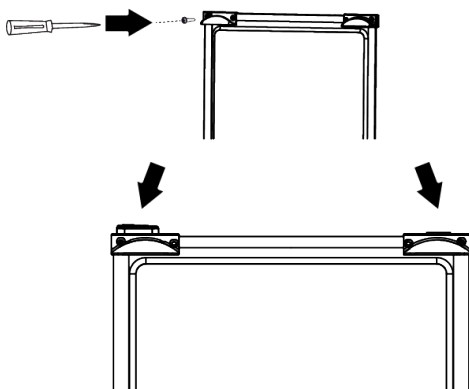
Чтобы обеспечить достаточно пространства для циркуляции воздуха между устройством и стеной, следует использовать пластиковые клинья.

1. Чтобы присоединить клинья, извлеките винты из устройства, и используйте винты, идущие в комплекте с клиньями.

5 Подготовка

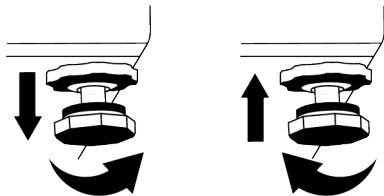
Сначала прочтите раздел «Инструкции по технике безопасности»!

2. Присоедините 2 пластиковых клина к вентиляционной крышке, как показано на рисунке.



4.3 Регулировка ножек

Если продукт находится в неуравновешенном состоянии, следует отрегулировать ножки путем вращения их вправо и влево.



4.4 Предупреждение о горячей поверхности

Боковые стенки вашего продукта оснащены охлаждающими трубками для улучшения системы охлаждения. Жидкость под высоким давлением может протекать через эти поверхности и вызывать нагревание поверхностей на боковых стенках. Это нормально и не требует обслуживания.

5.1 Как экономить электроэнергию

- Этот холодильный прибор не предназначен для использования в качестве встраиваемого прибора.
- При загрузке продуктов оставляйте внутри холодильника достаточно места для циркуляции воздуха и охлаждения.
- Поскольку горячий и влажный воздух не будет напрямую проникать в ваш продукт, когда дверца не открыта, ваш продукт будет оптимизировать себя в условиях, достаточных для защиты ваших продуктов. В этих условиях такие функции и компоненты, как компрессор, вентилятор, нагреватель, размораживание, освещение, дисплей и т. п., будут работать в соответствии с потребностями при минимальном потреблении энергии.
- В случае наличия нескольких вариантов стеклянные полки должны быть размещены так, чтобы отверстия для выпуска воздуха на задней стенке не были заблокированы, предпочтительно, чтобы отверстия для выпуска воздуха оставались под стеклянной полкой. Эта комбинация может помочь улучшить распределение воздуха и энергоэффективность.
- При хранении настоятельно рекомендуется использовать нижеприведенный ящик.
- Для достижения оптимальной производительности можно использовать быструю заморозку (если она доступна) за 24 часа до помещения свежих продуктов в морозильную камеру.
- В большинстве случаев для функции быстрой заморозки достаточно 24 часов после помещения свежих продуктов в морозильную камеру. Через некоторое время функция быстрой заморозки автоматически отключится.
- При замораживании небольшого количества продуктов для экономии электроэнергии функцию быстрой заморозки можно отключить через некоторое время.

- В зависимости от характеристик устройства, размораживание пищевых продуктов в холодильной камере обеспечит экономию электроэнергии и сохранит качество пищи.
- Для того, чтобы загрузить максимальное количество продуктов питания в холодильное отделение вашего морозильника, вам следует выдвинуть верхние ящики и поместить их на проволочные/стеклянные полки.
- Для экономии энергии храните продукты в холодильном отделении или отсеке для охлаждения, соблюдая надлежащие условия хранения.
- Упаковки с продуктами питания не следует хранить в непосредственном контакте с датчиком температуры, расположенным в морозильном отделении.

5.2 Первое использование

Перед тем, как использовать изделие, убедитесь, что все подготовительные работы выполнены в соответствии с рекомендациями в разделах «Меры безопасности» и «Установка».

- Перед началом эксплуатации изделия подождите не менее 2 часов, чтобы обеспечить полную эффективность охлаждения.
- Дайте изделию проработать, не кладя внутрь продукты, в течение 6 часов и не открывайте дверцу без крайней необходимости.
- Изменение температуры, вызванное открытием и закрытием дверцы во время использования изделия, обычно может привести к конденсации на полках дверцы/корпуса и стеклянных емкостях, помещенных в изделие.
- При включении компрессора вы услышите звук. Изделие издает шум, даже если компрессор не работает, поскольку жидкость и газ могут быть сжаты в системе охлаждения.
- Это нормально, что передние края изделия должны быть теплыми. Они специально подогреваются, чтобы предотвратить образование конденсата

- В некоторых моделях индикаторная панель автоматически выключается через 1 минуту после закрытия дверцы. Она включается снова при открытии дверцы или нажатии любой кнопки.

5.3 Климатический класс и определения

Пожалуйста, просмотрите климатический класс на паспортной табличке вашего устройства. Одни из следующих сведений применимы к вашему устройству в соответствии с климатическим классом.

- **SN:** Длительный умеренный климат: Данное охлаждающее устройство предназначено для использования при температуре окружающей среды от 10°C до 32°C.
- **N:** Умеренный климат: Данное охлаждающее устройство предназначено для использования при температуре окружающей среды от 16°C до 32°C.
- **ST:** Субтропический климат: Данное охлаждающее устройство предназначено для использования при температуре окружающей среды от 16°C до 38°C.
- **T:** Тропический климат: Данное охлаждающее устройство предназначено для использования при температуре окружающей среды от 16°C до 43°C.

6 Эксплуатация устройства

Сначала прочтите раздел «Инструкции по технике безопасности»!

- Изделие следует использовать только для хранения продуктов.
- Закройте водяной кран, если вы будете вдали от дома (например, в отпуске) и не будете использовать Icematic или диспенсер для воды в течение длительного периода времени. В противном случае может произойти утечка воды.

Выключение изделия из розетки

- Уберите продукты, чтобы не было запаха.
- Подождите, пока лед растает, очистите изделие внутри и дайте ему высохнуть, оставьте двери открытыми, чтобы не повредить пластиковую часть корпуса внутри.

7 Панель управления изделия

*

Температуру можно установить в диапазоне от 1 до 8 °C для холодильной камеры и от -24 до -15 °C для морозильной

камеры. Регулируемые значения температуры могут отличаться при условии, что они не выходят за пределы диапазонов, указанных в технических характеристиках изделия.

8 Эксплуатация устройства



Сначала прочтите раздел «Инструкции по технике безопасности»!

8.1 Хранение продуктов

Хранение продуктов в холодильной камере и отделении для охлаждения

- Температура в камере заметно повышается, если дверь камеры часто открывается и закрывается и остается

открытой в течение длительного времени, это может сократить срок службы продуктов и привести к их порче.

- Чтобы не вызывать изменения запаха и вкуса, продукты следует хранить в закрытых контейнерах.
- Для достижения лучшего и однородного охлаждения поместите пищу отдельно таким образом, чтобы холодный воздух мог перемещаться по ней.

- Обеспечьте воздушный поток, оставив пространство между пищевыми продуктами и внутренней стенкой. Если прислонить продукты к задней стенке, они могут замерзнуть.
- Доведите приготовленные горячие блюда до комнатной температуры, прежде чем поместить их в холодильник. Затем вы можете поместить умеренно теплую еду на нижние полки вашего холодильника. Поместите тёплые продукты вдали от скоропортящихся продуктов.
- Следите за тем то бы, чтобы не смешивать замороженные и свежие продукты.
- Размораживайте замороженные продукты в отделении для охлаждения. Таким образом, можно охлаждать отделение для охлаждения, используя замороженные продукты, и экономить энергию.
- Хранение незрелых тропических фруктов (манго, разные сорта дыни, папайя, банан, ананас) в холодильнике может ускорить процесс созревания. Это не рекомендуется, потому что вызывает сокращение времени хранения.
- Лук, чеснок, имбирь и другие корнеплоды следует хранить в темном и холодном помещении, а не в холодильнике.
- Если вы заметили, что еда испортилась в холодильнике, выбросьте ее и очистите аксессуары, которые контактировали с ней.
- Для того чтобы охладить такие блюда, как супы и рагу, которые готовятся в больших кастрюлях, вы можете быстро поместить их в холодильник, поместив их по частям в свои собственные неглубокие контейнеры.
- Храните неупакованные продукты отдельно от яиц.
- Держите фрукты и овощи отдельно и храните каждый сорт вместе (например, яблоки с яблоками, морковь с морковью).
- Извлеките зеленые овощи из полиэтиленового пакета и поместите их в холодильник, обернув в бумажное полотенце или ткань для высушивания. Если вы моете этот тип продуктов перед помещением их в холодильник, не забудьте высушить их.
- Вы можете как создать влажную среду, так и обеспечить воздушный поток, сохраняя фрукты и овощи, склонные к высыханию, в перфорированных или негерметичных пластиковых пакетах.
- За исключением случаев, когда существуют экстремальные условия внешней среды, если в вашем изделии установлены указанные заданные значения (в таблице рекомендуемых значений), продукты сохраняют свою свежесть в течение более длительного времени как в отделении для охлаждения, так и в морозильной камере.
- Не храните в отделении для охлаждения овощи, чувствительные к холоду, такие как зеленолистные овощи, помидоры и огурцы. Если вам необходимо использовать ящики холодильного отделения для хранения овощей, убедитесь, что панель управления вашего холодильника установлена на температуру 5°C или выше.

Хранение продуктов в охлаждающем отделении

В отделении для охлаждения температура хранящихся в нем продуктов может колебаться от +3 °C до -3 °C. Температура в отделении для охлаждения может опускаться ниже 0 °C, и это не подходит для хранения свежих фруктов и овощей. Если вам необходимо хранить свежие продукты в холодных ящиках, обязательно установите температуру холодильника на 5°C или выше.

Храните продукты питания в разных местах в соответствии с их свойствами:	
Еда	Расположение
Яйцо	Полка на дверце
Молочные продукты (масло, сыр)	При наличии отсека с нулевой температурой (продукты для завтрака)/отделение для охлаждения
Фрукты, овощи и зелень	Отделение для фруктов и овощей, ящик для фруктов и овощей или; В отделении для свежих продуктов, в ящике для овощей или в ящике Everfresh+ (при наличии) при условии, что в холодильнике установлена температура выше 5°C.
Свежее мясо, птица, рыба, колбаса и т.д. Приготовленные продукты	При наличии отсека с нулевой температурой (продукты для завтрака)/отделение для охлаждения
Готовые к подаче продукты, фасованные продукты, консервы и маринованные огурцы	Верхние полки или дверная полка
Напитки, бутылки, специи и закуски	Полка на дверце

Хранение продуктов в морозильной камере

- Вы можете активировать функцию быстрого замораживания за 4-6 часов до замораживания и выполнить более быстрое охлаждение.
- Перед помещением горячих блюд в морозильное отделение, охладите их до комнатной температуры.
- Продукты, которые подвергнутся замораживанию, должны быть разделены на порции согласно потребляемому размеру и заморожены в отдельных пакетах.
- Рекомендуется упаковывать продукты перед их размещением в морозильное отделение.
- Во избежание истечения срока хранения запишите дату замораживания, время и название продукта на упаковке в соответствии со сроками хранения различных пищевых продуктов.
- Быстро употребляйте размороженные продукты. Размороженные продукты не могут быть заморожены снова, если они не будут приготовлены. Небезопасно употреблять повторно замороженные свежие продукты без приготовления после их разморозки.
- Когда вы замораживаете свежие продукты, не допускайте их соприкосновения с уже замороженными продуктами. В противном случае замороженные продукты будут разморожены.

Хранение продуктов питания, которые продаются замороженными

- При хранении продуктов питания соблюдайте сроки, указанные в данной инструкции.
- Чтобы сохранить качество продуктов, соблюдайте минимальный интервал между покупкой и хранением.
- Покупайте замороженные продукты, которые хранятся при температуре – 18 °C или ниже.
- Избегайте покупки продуктов, упаковка которых покрыта льдом и т.д. Это может означать, что продукт частично размораживался и снова замораживался. Температура влияет на качество пищи.
- Храните продукты в течение времени, рекомендованного производителем. Извлеките из морозильной камеры только ту пищу, которая вам нужна.
- За исключением случаев, когда существуют экстремальные условия внешней среды, если в вашем изделии установлены указанные заданные значения (в таблице рекомендуемых значений), продукты сохраняют свою свежесть в течение более длительного времени как в отсеке для свежих продуктов, так и в морозильной камере.
- Если в отсеке для свежих продуктов установлена более низкая температура, свежие фрукты и овощи могут быть частично заморожены.

- Двухзвездочные отсеки подходят для предварительно замороженных продуктов. Можно хранить мороженое и кубики льда.

- Замораживайте продукты только в 4-звёздочном отделении.

RU

Мясо и Рыба		Подготовка		Самое долгое время хранения (месяц)	
Мясные продукты	Стейк	из Говядины	Разрезав их, толщиной в 2 см и положив фольгу между ними или плотно завернув в стретч-пленку	6-8	
		Запекание	Упаковав кусочки мяса в пакет для холодильника или плотно завернув их в стретч-пленку	6-8	
		Кубики	В маленьких кусочках	6-8	
		Шницель, отбивные	Положив фольгу между нарезанными кусками или отдельно завернув в стретч-пленку	6-8	
	Баранина	Отбивные	Положив фольгу между кусками мяса или отдельно завернув в стретч-пленку	4-8	
		Запекание	Упаковав кусочки мяса в пакет для холодильника или плотно завернув их в стретч-пленку	4-8	
		Кубики	Упаковав нарезанное мясо в пакет для холодильника или плотно завернув их в стретч-пленку	4-8	
	Говядина	Запекание	Упаковав кусочки мяса в пакет для холодильника или плотно завернув их в стретч-пленку	8-12	
		из Говядины	Разрезав их, толщиной в 2 см и положив фольгу между ними или плотно завернув в стретч-пленку	8-12	
		Кубики	В маленьких кусочках	8-12	
		Вареное мясо	Положив маленькими порциями в пакет для холодильника	8-12	
	Фарш		Без приправ, в плоских пакетах		1-3
	Потроха (кусок)		В кусочках		1-3
	Ферментированная колбаса - Салами		Должна находиться в упаковке даже при наличии пленки.		1-3
Окорок		Положив фольгу между нарезанными кусками		2-3	
Домашняя птица и дикие животные	Курица или Индейка		Завернув в фольгу	4-6	
	Гусь		Завернув в фольгу (порции не должны превышать 2.5 кг)	4-6	
	Утка		Завернув в фольгу (порции не должны превышать 2.5 кг)	4-6	
	Олень, Заяц, Косуля		Завернув в фольгу (порции не должны превышать 2.5 кг, а также кости должны быть отделены)	6-8	
Рыба и морепродукты	Пресноводная рыба (Форель, Карп, Сом)		После тщательной очистки внутренности и чешуи, рыба следует вымыть и высушить, а также при необходимости отрезать хвост и голову.	2	
	Нежирная рыба (Морской окунь, Палтус, Камбала)			4-6	
	Жирная рыба (Бонито, Скумбрия, Голубая рыба, Красная Кефаль, Анчоусы)			2-4	
	Моллюски			4-6	
	Икра			2-3	
		В очищенном виде и в пакетах			
		В собственной упаковке, алюминиевых или пластиковых контейнерах			

«Сроки хранения, указанные в таблице, предполагают температуру хранения -18°С».

Фрукты и Овощи	Подготовка	Самое долгое время хранения (месяц)
Стручковая фасоль и Обыкновенная фасоль	Шоковое приготовление в течение 3 минут после того, как овощи были помыты и нарезаны на маленькие кусочки	10-13
Зеленый горох	Шоковое приготовление в течение 2 минут после того, как он был очищен и помыт	10-12
Капуста	Шоковое приготовление в течение 1-2 минут после очистки	6-8
Морковь	Шоковое приготовление в течение 3-4 минут после очистки и нарезания на маленькие кусочки	12
Перец	Проварив в течение 2-3 минут после того, как стебель был отрезан, овощи были разделены на две части, а семена были очищены	8-10
Шпинат	Шоковое приготовление в течение 2 минут после того, как овощи были помыты и очищены	6-9
Лук-порей	Шоковое приготовление в течение 5 минут после того, как овощи были нарезаны на кусочки	6-8
Цветная капуста	Шоковое приготовление в воде с малым содержанием сока лимона в течение 3-5 минут после очистки от листьев и нарезания овоща на кусочки	10-12
Баклажан	Шоковое приготовление в течение 4 минут после того, как овощи были помыты и нарезаны на кусочки в 2 см	10-12
Тыква большая столовая	Шоковое приготовление в течение 2-3 минут после того, как овощи были помыты и нарезаны на кусочки в 2 см	8-10
Грибы	Слегка обжарив их в масле и выдавив на них лимон	2-3
Кукуруза	Очистив и упаковав в виде початков или крупы	12
Яблоки и Груши	Шоковое приготовление в течение 2-3 минут после очистки от кожуры и нарезания	8-10
Абрикос и персик	Разрежьте пополам и выньте косточки	4-6
Клубника и малина	Промыв и очистив от стеблей	8-12
Запеченные фрукты	Добавив %10 сахара в емкость	12
Слива, Вишня, Клюква	Промыв и очистив от стеблей	8-12

«Сроки хранения, указанные в таблице, предполагают температуру хранения -18°С».

Молочные Продукты	Подготовка	Самое долгое время хранения (месяц)	Условия хранения
Сыр (кроме белого сыра)	Положив фольгу между кусками, в нарезанном виде	6-8	Его можно хранить в своей упаковке на короткое время. Для длительного хранения ее тоже следует завернуть в алюминиевую или пластиковую фольгу.
Масло, маргарин	В собственной упаковке	6	В собственной упаковке или в пластиковых емкостях

«Сроки хранения, указанные в таблице, предполагают температуру хранения -18°С».

«Количество свежих продуктов, которые можно замораживать в течение определенного периода времени, указано на типовой.

Морозильная камера Настройка	Холодильное отделение Настройка	Примечания
-22	4°C	Эти настройки рекомендуются для общего использования.
Быстрая заморозка	4°C	Используется в случае, если вы хотите заморозить продукты в течение короткого промежутка времени. После окончания этого процесса настройки изделия восстанавливаются до предыдущих значений.
-18°C или ниже	2°C	Используйте данные настройки, если полагаете, что температура в холодильной камере недостаточно низкая в связи с внешней температурой или частым открыванием дверцы.

Быстрая заморозка

1. Активируйте функцию быстрого замораживания за 24 часа до размещения свежих продуктов.
2. Через 24 часа после нажатия кнопки, разместите продукты, которые вы хотите заморозить на вторую полку с более высокой производительностью.
3. Когда функция быстрого замораживания активирована, она автоматически отменяется через некоторое время.

Подробная информация по морозильной камере

В соответствии со стандартами МЭК 62552, морозильная камера должна иметь способность замораживать 4,5 кг продуктов питания на каждые 100 литров объема при температуре -18 °C или при более низких температурах при комнатной температуре 25°C в течение 24 часов.

Продовольственные товары можно хранить в течение длительных периодов времени исключительно при температуре в -18°C и ниже.

Можно хранить продукты свежими в течение нескольких месяцев (в морозильной камере при температуре не выше -18 °C).

Чтобы избежать частичного размораживания, еще не замороженные пищевые продукты не должны прикасаться к уже замороженным продуктам внутри устройства.

Чтобы продлить срок хранения в замороженном состоянии, отварите овощи и отфильтруйте воду. После фильтрации заверните пищу в воздухо непроницаемую упаковку и поместите в морозильную камеру. Не следует замораживать бананы, помидоры, салат-латук, сельдерей, отварные яйца, картошку и подобные пищевые продукты. В случае замораживания этих продуктов питательные свойства и вкусовые качества могут быть отрицательно изменены. Не вызывает сомнения, что употребление гнилых продуктов угрожает здоровью человека.

Размещение продуктов питания

Полки морозильной камеры: Различные замороженные продукты, такие как мясо, рыба, мороженое, овощи и т.п.

Полки холодильной камеры: пищевые продукты в кастрюлях, накрытых крышками тарелках и упаковках с крышками, яйца (в закрытой упаковке)

Полки дверцы холодильной камеры: продукты питания или напитки в небольшом количестве и в упаковке

Ящик для фруктов и овощей: Овощи и фрукты

Отделение для свежих продуктов: Холодные закуски (хлопья, мясные продукты скорого употребления)

8.2 Замена лампы подсветки

В случае необходимости замены лампы/СВЕТОДИОДНОГО ИНДИКАТОРА, используемых для освещения в вашем холодильнике, обратитесь в авторизованный сервисный центр.

Лампы, используемые в этом устройстве, не подходят для освещения помещений. Эти лампы предназначены для того, чтобы пользователь мог безопасно и комфортно размещать продукты в холодильнике/морозильнике.

8.3 Предупреждение об открытой двери

Система предупреждения об открытии двери холодильника может отличаться в зависимости от модели.

Версия 1:

Если дверца изделия остается открытой в течение определенного времени (от 60 с до 120 с), звучит звуковой предупреждающий сигнал; в зависимости от модели изделия также может отображаться визуальный предупреждающий сигнал (световая вспышка). Если вы закроете дверцу устройства или нажмете кнопку на экране устройства, если таковая имеется, предупреждающий звук прекратится.

9 Особенности продукта

9.1 Технологии Crisper

Синий свет

Фрукты и овощи, хранящиеся в контейнерах холодильника в секции с синей подсветкой, продолжают фотосинтезировать благодаря эффекту световой волны, возникающему под воздействием синего света, и сохраняют витамины.

HarvestFresh

Фрукты и овощи, хранящиеся в контейнерах холодильника в секции с освещением по технологии HarvestFresh сохраняют витамины дольше, поскольку чередование синего, зеленого и красного освещения и периодов темноты имитирует суточный цикл.

Версия 2:

Если дверь устройства остается открытой в течение определенного периода времени (от 60 с до 120 с), подается сигнал тревоги об открытии двери. Предупреждение об открытии двери звучит постепенно. Сначала начинает звучать звуковое предупреждение. Через 4 минуты, если дверь все еще не закрыта, включается визуальное предупреждение (вспышка освещения). Предупреждение об открытии двери будет отложено на определенный период времени (от 60 с до 120 с) при нажатии любой клавиши на экране изделия, если таковая имеется. Затем предупреждение включится заново. Когда дверца устройства будет закрыта, предупреждение об открытии двери будет отменено.

8.4 Изменение стороны открывания двери

Направление открывания двери вашего холодильника может быть изменено в соответствии с местом его расположения. В случае такой необходимости вы должны обязательно позвонить в ближайший авторизованный сервисный центр.

Когда дверь вашего холодильника открывается в темное время суток в период использования технологии HarvestFresh, ваш холодильник автоматически распознает это и для вашего удобства освещает холодильник одним из синих, зеленых или красных огней соответственно. После закрытия дверцы холодильника в нем вновь будет включен период темноты, имитирующий ночь в суточном цикле.

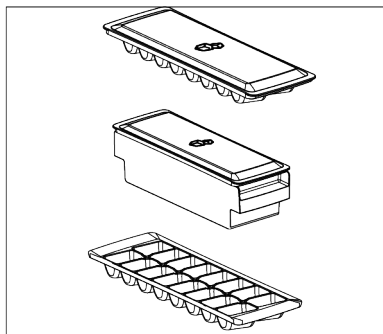
9.2 Зона хранения льда

Контейнер для льда

Емкость для льда позволяет легко доставать лед из холодильника.

Использование емкости для льда

1. Выньте емкость для льда из морозильной камеры.
2. Заполните емкость для льда водой.
3. Поместите емкость для льда в морозильную камеру. Лед будет готов примерно через два часа.
4. Выньте емкость для льда из морозильной камеры и слегка наклоните его над держателем, который вам нужен. Лед легко переместится в сервировочную подставку.



9.3 Держатель яиц

Вы можете поставить подставку для яиц на любую дверцу или полку корпуса, какую пожелаете.

Если подставка для яиц должна быть размещена на полке корпуса, мы рекомендуем вам выбрать более холодные нижние полки.

- Ни в коем случае не ставьте подставку для яиц в морозильную камеру.

9.4 Ящик для фруктов и овощей

Контейнер для фруктов и овощей холодильника предназначен для сохранения свежих овощей за счет сохранения их влажности. С этой целью в морозильнике усиливается общая циркуляция холодного воздуха. Храните в данном отсеке фрукты и овощи. Храните фрукты и овощи с зелеными листьями отдельно, чтобы продлить их срок годности.

9.5 Управление потреблением энергии

Ваш холодильник оснащен функцией управления энергопотреблением. Для запуска этой функции необходимо, что-

бы ваше изделие было добавлено в приложение HomeWhiz и подключено к Интернету.

Вы можете отслеживать информацию об энергопотреблении вашего изделия, используя панель управления энергопотреблением в приложении HomeWhiz. Информацию об энергопотреблении вашего умного холодильника можно отслеживать в разные временные периоды* и экономить деньги благодаря рекомендациям по снижению энергопотребления.



Значения энергопотребления, указанные на этикетке изделия, получены в стандартных лабораторных условиях. Значения энергопотребления, отображаемые в приложении HomeWhiz, предназначены исключительно для информационных целей и могут отличаться от фактических значений потребления в зависимости от климатических и других условий, в которых изделие эксплуатируется потребителем.

9.6 Технология искусственного интеллекта (ИИ)

Функция CoolAdapt



Ваш холодильник снабжен функцией CoolAdapt. Для запуска этой функции необходимо добавить изделие в приложение HomeWhiz и подключить его к Интернету.

Технологию CoolAdapt можно включить или выключить на странице вспомогательных функций изделия в приложении HomeWhiz.

Благодаря наличию автономной технологии охлаждения приобретенное изделие адаптируется к вашим привычкам использования, оптимизируя энергоэффективность и обеспечивая экономию до *20 %.

Указанные показатели экономии получены в стандартных лабораторных условиях. Показатели экономии могут отли-

чатся в зависимости от уникальных условий эксплуатации потребителем и климатических условий.

9.7 Место для хранения молочных продуктов в охлажденном виде

Ящик для хранения в охлажденном виде

Ящик для хранения в охлажденном виде может достигать более низких температур в холодильном отделении. Используйте этот ящик для деликатесов (салями, колбасы и т. д.) и молочных продуктов, которые требуют более холодных условий хранения, а также мяса, курицы или рыбы для быстрого употребления. Он не подходит для хранения фруктов и овощей.

10 Обслуживание и очистка

Сначала прочтите раздел «Инструкции по технике безопасности»!

Перед очисткой изделия отключите его от сети или обесточьте предохранитель, к которому он подключен.

Не кладите руки, ноги или металлические предметы под холодильник или между холодильником и полом по какой-либо причине. Может произойти зажатие, или любой острый край может привести к травмам.

- Не используйте острые или абразивные инструменты для очистки изделия. Не используйте такие материалы, как бытовые чистящие средства, мыло, моющие средства, газ, бензин, разбавитель, спирт, воск и т. д.
- Не реже одного раза в год (не открывая крышку) следует удалять пыль с вентиляционной решетки на задней стороне изделия. Протрите изделие сухой тканью.
- Будьте осторожны, не заденьте крышку лампы и другие электрические части.
- Протрите дверцу влажной тканью. Удалите все содержимое, чтобы снять дверные и корпусные стойки. Снимите

9.8 AeroFlow

Это система распределения воздуха, которая обеспечивает однородное распределение температуры. При циркуляции воздуха обеспечивается однородное распределение температуры в отсеке для хранения свежих продуктов, а колебания температуры поддерживаются на низком уровне. Прямой обдув пищи воздухом не осуществляется, и это помогает уменьшить потерю влаги. Он сохраняет свежесть продуктов, хранящихся в отделении для свежих продуктов холодильника. Таким образом, ваша пища хранится при более стабильных температурах и контакт с воздухом уменьшается. Сушка и сморщивание продуктов за счет потери влаги предотвращается, и свежесть обеспечивается в течение более длительного времени.

дверные полки, подняв их вверх. Очистите и высушите полки, затем прикрепите их обратно, задвинув сверху.

- Не используйте хлорированную воду или чистящие средства на внешней поверхности и хромированных частях изделия. Хлор вызовет ржавчину на таких металлических поверхностях.
- Не используйте острые и абразивные инструменты, мыло, средства для уборки дома, моющие средства, газ, бензин, лак и подобные вещества, чтобы предотвратить деформацию пластмассовой детали и удаление отпечатков на ней. Для очистки используйте теплую воду и мягкую ткань, а затем вытрите насухо.
- На продуктах без функции No-Frost на задней стенке холодильного отделения могут образовываться капли воды и обледенение толщиной до пальца. Не очищайте и никогда не наносите масла или аналогичные материалы.
- Для очистки внешней поверхности изделия используйте только слегка смоченную ткань из микроволокна. Губки и другие чистящие средства могут поцарапать поверхность.

- Чтобы очистить все съемные компоненты во время очистки внутренней поверхности изделия, промойте эти компоненты мягким раствором, состоящим из мыла, воды и карбоната. Тщательно вымойте и высушите. Избегайте контакта воды с элементами освещения и панелью управления.
- Не используйте уксус, медицинский спирт или другие чистящие средства на спиртовой основе для очистки внутренних поверхностей.

Наружные поверхности из нержавеющей стали

Используйте неабразивное чистящее средство для нержавеющей стали и нанесите его мягкой безворсовой тканью. Для полировки аккуратно протрите поверхность тканью из микрофибры, смоченной водой, и используйте замшу для сухой полировки. Всегда следите за прожилками нержавеющей стали.

Очистка изделий со стеклянными дверцами

Снимите защитную пленку со стекол. На поверхности стекла есть покрытие. Это покрытие сводит к минимуму образование пятен и обеспечивает легкую очистку образовавшихся пятен и грязи. Стекло без защитного покрытия может быстро и легко задерживать на себе органические или неорганические загрязнители воздуха и воды, такие как известняк, минеральные соли, несгоревшие углеводороды, оксиды металлов и силиконы, которые вызывают появление пятен и физические повреждения. Несмотря на регулярную чистку, содержать стекло в чистоте становится очень сложно, а то и вовсе невозможно. В результате ухудшается прозрачность и внешний вид стекла. Методы очистки с использованием жестких и абразивных средств и составов усилят эти дефекты и ускорят процесс износа.

11 Устранение неисправностей

Сначала прочтите раздел «Инструкции по технике безопасности»!

Для обычных процессов очистки должны использоваться *не щелочные и неагрессивные чистящие средства на водной основе.

Для повышения устойчивости этих стекол к ударам и разрушению применяется процесс закалки.

В качестве дополнительной меры предосторожности на заднюю поверхность этих стекол нанесена защитная пленка, чтобы предотвратить нанесение вреда окружающей среде в случае их поломки.

Предотвращение запахов

Устройство не содержит материалов с запахом. Тем не менее, хранение пищевых продуктов в не предназначенных для них отделениях, а также ненадлежащая очистка поверхностей могут вызывать неприятные запахи.

- Чтобы этого не случилось, очищайте внутреннюю поверхность сатурированной водой каждые 15 дней.
- Храните продукты в герметичных контейнерах, так как микроорганизмы, возникающие из продуктов, хранящихся в негерметичных контейнерах, вызывают неприятный запах.
- Не храните в холодильнике испорченные или продукты с истекшим сроком хранения.

Чай - одно из самых эффективных средств для устранения запаха. Поместите мякоть заваренного чая в продукт в открытую емкость и уберите ее не позднее, чем через 12 часов. Если вы держите чайную мякоть внутри продукта более 12 часов, в ней будут собираться микроорганизмы, вызывающие запах, и она может стать источником самого запаха.

Защита пластиковых поверхностей

Попадание масел на пластиковую поверхность может повредить ее, поэтому следует незамедлительно очистить поверхность теплой водой.

Проверьте этот список, прежде чем обращаться в службу. Так вы сэкономите время и деньги. Данный список включает

в себя частые жалобы, которые не связаны с неправильным качеством изготовления и материалов. Некоторые функции, упомянутые здесь, могут не относиться к вашему холодильнику.

Если проблема не устранена после выполнения инструкций в этом разделе, обратитесь к поставщику или в авторизованную службу. Не пытайтесь отремонтировать холодильник.

Холодильник не работает.

- Вилка питания не полностью вставлена. >>> Вставьте вилку, чтобы она целиком вошла в розетку.
- Предохранитель, подключенный к розетке, питающей устройство, или основной предохранитель, перегорел. >>> Проверьте предохранитель.

Конденсат на боковой стенке холодильного отделения (МУЛЬТИ ЗОНА, ХОЛОДИЛЬНАЯ, КОНТРОЛЬНАЯ и ФЛЕКСИ ЗОНА).

- Дверца открывается слишком часто. >>> Не открывайте дверцу холодильника очень часто.
- Окружающая среда слишком влажная. >>> Не помещайте холодильник во влажную среду.
- Продукты, содержащие жидкости, хранятся в незапечатанных держателях. >>> Продукты, содержащие жидкости, следует хранить в герметичных держателях.
- Дверца холодильника осталась открытой. >>> Не держите дверцы холодильника открытыми на протяжении длительного времени.
- Термостат установлен на очень низкую температуру. >>> Установите термостат на соответствующую температуру.

Компрессор не работает.

- В случае, если внезапно отключится питание или выйдет вилка из розетки и повторно включится, а давление газа в системе охлаждения устройства не балансируется, сработает тепловая защита компрессора. Холодильник перезапустится примерно через 6 минут.

Если холодильник не перезапустится по истечении этого периода, обратитесь в службу.

- Размораживание активно. >>> Это нормально для полностью автоматического размораживания продукта. Размораживание проводится периодически.
- Устройство не подключено к сети. >>> Убедитесь, что шнур питания подключен.
- Неверная настройка температуры. >>> Выберите соответствующую настройку температуры.
- Электричество отключено. >>> Устройство продолжит нормально работать после восстановления питания.

Шум работы холодильника увеличивается во время использования.

- Эксплуатационные характеристики холодильника могут варьироваться в зависимости от изменений температуры окружающей среды. Это нормально и не является неисправностью.

Холодильник работает слишком часто либо слишком долго.

- Новое устройство может быть больше предыдущего. Более крупные устройства работают дольше.
- Температура в помещении возможно высокая. >>> Продукт обычно работает в течение длительного времени при более высокой комнатной температуре.
- Возможно, холодильник был недавно подключен к сети или в него помещены новые продукты питания. >>> Холодильнику нужно будет больше времени для достижения заданной температуры, если он недавно подключен к сети или в него помещены новые продукты питания. Это нормально.
- Возможно, в холодильник недавно было помещено большое количество горячей пищи. >>> Не помещайте горячую пищу в холодильник.
- Двери часто открывались или оставались открытыми в течение длительного времени. >>> Теплый воздух внутри

приведет к тому, что холодильник будет работать дольше. Не открывайте двери слишком часто.

- Дверь морозильной камеры или холодильника возможно приоткрыта. >>> Убедитесь, что дверцы полностью закрыты.
- Возможно, температура холодильника слишком низкая. >>> Установите более высокую температуру и подождите, пока холодильник достигнет заданной температуры.
- Омыватель дверцы холодильника или морозильной камеры возможно загрязнен, изношен, сломан либо неверно установлен. >>> Очистите либо замените прокладку. Поврежденное/порванное устройство для мытья дверцы приведет к тому, что холодильник будет работать более длительное время для сохранения текущей температуры.

Температура морозильной камеры очень низкая, но температура охладителя достаточна.

- Температура морозильной камеры установлена на очень низком уровне. >>> Установите более высокую температуру в морозильной камере и проверьте очередной раз.

Температура охладителя очень низкая, но температура морозильной камеры достаточна.

- Температура в холодильной камере установлена на очень низком уровне. >>> Установите более высокую температуру в холодильной камере и проверьте очередной раз.

Продукты питания в ящиках холодильного отделения заморожены.

- Температура в холодильной камере установлена на очень низком уровне. >>> Установите более высокую температуру в холодильной камере и проверьте очередной раз.

Температура в холодильнике или морозильной камере слишком высокая.

- Температура в холодильной камере установлена на очень высоком уровне. >>> Настройка температуры в холо-

дильном отсеке оказывает влияние на температуру в морозильном отсеке.

Подождите, пока температура соответствующих деталей не достигнет достаточного уровня, изменив температуру холодильных или морозильных отсеков.

- Двери часто открывались или оставались открытыми в течение длительного времени. >>> Не открывайте дверцы слишком часто.
- Дверь, возможно, приоткрыта. >>> Полностью закройте дверь.
- Возможно, холодильник был недавно подключен к сети или в него помещены новые продукты питания. >>> Это нормально. Для достижения заданной температуры холодильнику потребуются больше времени, если он недавно был подключен к сети или в него помещен новый продукт питания.
- Возможно, в холодильник недавно было помещено большое количество горячей пищи. >>> Не помещайте горячую пищу в холодильник.

Тряска или шум.

- Поверхность не ровная и не прочная >>> Если холодильник трясется при медленном перемещении, отрегулируйте подставки, чтобы сбалансировать его. Также убедитесь, что поверхность достаточно прочная, чтобы выдержать холодильник.
- Любые предметы, помещенные на холодильник, могут вызывать шум. >>> Удалите все предметы, помещенные на холодильник.
- Холодильник издает шум текущей, брызгающей жидкости и т.д.
- Принципы работы устройства включают потоки жидкости и газа. >>> Это нормально и не является неисправностью.

От холодильника доносится звук дующего ветра.

- Устройство использует вентилятор для процесса охлаждения. Это нормально и не является неисправностью.

На внутренних стенках устройства образуется конденсат.

- Жаркая или влажная окружающая среда приводит к увеличению обледенения и конденсации. Это нормально и не является неисправностью.
- Двери часто открывались или оставались открытыми в течение длительного времени. >>> Не открывайте дверца слишком часто; если они открыты, закройте.
- Дверь, возможно, приоткрыта. >>> Полностью закройте дверь.

На внешней поверхности устройства либо между дверями образуется конденсат.

- Окружающая среда, возможно, влажная, это вполне нормально. >>> Конденсат пройдет при снижении влажности.

Внутри неприятно пахнет.

- Холодильник не подвергается регулярной чистке. >>> Регулярно чистите внутренние поверхности с помощью губки, теплой и газированной воды.
- Некоторые контейнеры и упаковочные материалы могут вызывать неприятный запах. >>> Используйте контейнеры и упаковочные материалы без запаха.
- Продукты помещены в незапечатанные контейнеры. >>> Храните продукты в запечатанных контейнерах. Из незакрытых пищевых продуктов могут выделяться микроорганизмы, вызывающие неприятные запахи.
- Извлеките из холодильника все просроченные и испорченные продукты.

Дверь не закрывается.

- Пакеты с продуктами возможно блокируют дверь. >>> Сдвиньте все предметы, блокирующие двери.
- Холодильник не стоит в полностью вертикальном положении на земле. >>> Отрегулируйте подставки, чтобы сбалансировать продукт.
- Поверхность не ровная и не прочная >>> Убедитесь, что поверхность ровная и достаточно прочная, чтобы выдержать изделие.

Контейнер для фруктов и овощей заклинило.

- Продукты питания, возможно, соприкасаются с верхней частью выдвижного ящика. >>> Переставьте продукты питания в ящике.

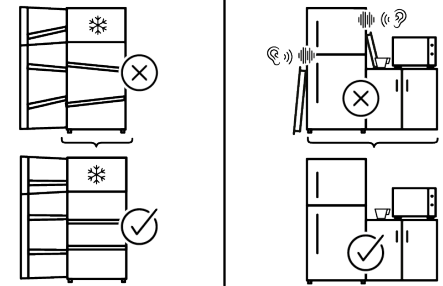
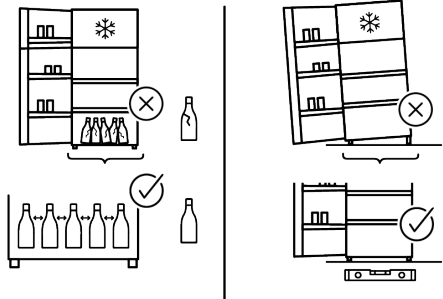
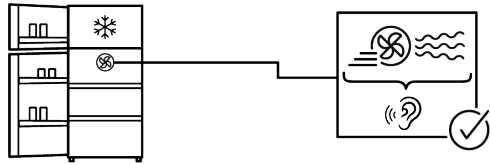
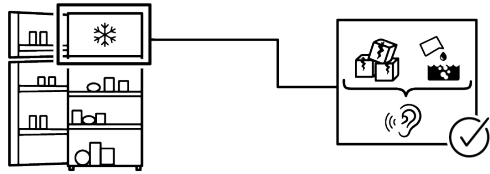
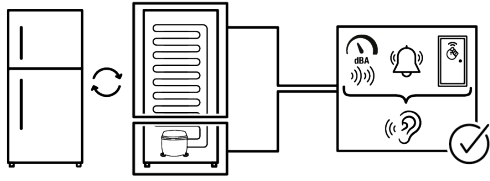
Температура на поверхности продукта.

- Высокая температура может наблюдаться между двумя дверями, на боковых панелях и на задней решетке во время работы вашего устройства. Это нормально и не требует обслуживания.

Вентилятор продолжает работать, когда дверца открыта.

- Вентилятор может продолжать работать, когда дверца морозильной камеры открыта.

Если проблема не устранена после выполнения инструкций в этом разделе, обратитесь к поставщику или в авторизованную службу. Не пытайтесь отремонтировать холодильник. Это нормально.



Considerations Regarding Errors of Use and Warranty Рассмотрение ошибок использования и гарантии الاعتبارات المتعلقة بأخطاء الاستخدام والضمان

Следующие дефекты могут быть устранены за плату. Гарантийные условия не распространяются на ни один из следующих случаев:

1. Повреждения и сбои, вызванные ошибками при использовании.
2. Повреждения и сбои во время погрузки, разгрузки, транспортировки и т. д. после поставки товара потребителю.
3. Повреждения и сбои, возникшие из-за электричества (розетка, напряжение, заземление и т. д.), воды (давление воды, кран и т. д.), природного газа, телефона, интернета и т. д., а также сети и/или инфраструктуры (канализация, пол, окружение и т. д.) места использования товара.
4. Повреждения и сбои, вызванные стихийными бедствиями, пожаром, наводнением и т. д.
5. Повреждения и сбои, возникшие из-за использования товара вопреки указаниям в описании и руководстве пользователя.
6. Повреждения и сбои, возникшие из-за использования товара в коммерческих или профессиональных целях, как определено Законом № 6502 "О защите прав потребителей".
7. В случае проведения обслуживания, ремонта или любого другого вмешательства в товар несанкционированными лицами гарантия на товар утрачивается.

Гарантийный срок на замененные товары в рамках гарантийного обслуживания ограничен оставшимся сроком гарантии на приобретенный товар.

Произведено компанией Arçelik A.Ş.

Происхождение: Турция

يرجى قراءة دليل المستخدم هذا أولاً.

عملنا العزيز،

نشكرك على اختيارك هذا المنتج Beko.

نتمنى أن تصل إلى الكفاءة المثلى من هذا المنتج عالي الجودة الذي تم تصنيعه بأحدث التقنيات. للقيام بذلك ، اقرأ هذا الدليل بعناية وأية وثائق أخرى مقدمة قبل استخدام المنتج.

انتبه إلى جميع المعلومات والتحذيرات الموجودة في دليل المستخدم. بهذه الطريقة ، ستحمي نفسك ومنتجاتك من الأخطار التي قد تحدث. احتفظ بدليل المستخدم. قم بتضمين هذا الدليل مع المنتج إذا قمت بتسليمه إلى شخص آخر.

يتم استخدام الرموز التالية في دليل المستخدم وعلى المنتج:

اقرأ دليل المستخدم.



خطر قد يؤدي إلى الوفاة أو الإصابة.



بإمكانك الوصول إلى المعلومات الفنية الخاصة بالمنتج عن طريق مسح رمز الاستجابة السريعة (QR) الموجود على ملصق الطاقة باستخدام جهاز محمول متصل بالإنترنت.



92	حامل البيض	٣-٩
92	رف الخضروات	٤-٩
92	إدارة الطاقة	٥-٩
93	تقنية الذكاء الاصطناعي (AI)	٦-٩
93	منطقة التخزين البارد لمنتجات الألبان	٧-٩
93	AeroFlow	٨-٩
93	١٠ الصيانة والتنظيف	
94	١١ استكشاف الأخطاء وإصلاحها	

74	١ تعليمات السلامة	
74	رموز السلامة المهمة	١-١
74	طريقة الاستخدام	٢-١
74	سلامة الأطفال والضعفاء والحيوانات الأليفة	٣-١
75	السلامة الكهربائية	٤-١
76	سلامة نقل المنتج	٥-١
76	سلامة التركيب	٦-١
78	السلامة التشغيلية	٧-١
81	سلامة تخزين الطعام	٨-١
81	سلامة الصيانة والتنظيف	٩-١
82	الإنارة	١٠-١
82	التخلص من المنتج القديم	١١-١
82	معلومات تقنية عن Bluetooth + Wi-fi	١٢-١
83	٢ التعليمات البيئية	
83	الامتثال للوائح AEEE والتخلص من النفايات	١-٢
83	معلومات مواد التغليف	٢-٢
84	٣ نلجتك	
84	٤ التركيب	
85	المكان المناسب للتركيب	١-٤
85	تثبيت الأوتاد البلاستيكية	٢-٤
85	ضبط أقدام المنتج	٣-٤
85	تحذير سطح ساخن	٤-٤
85	٥ الإعداد	
85	إجراءات توفير الطاقة	١-٥
86	الاستخدام لأول مرة	٢-٥
86	فئة المناخ والتعاريف	٣-٥
86	٦ تشغيل المنتج	
87	٧ لوحة التحكم في منتجك	
87	٨ استخدام المنتج	
87	تخزين الطعام في منتجك	١-٨
91	استبدال مصباح الإضاءة	٢-٨
91	تحذير فتح الباب	٣-٨
91	عكس جانب فتح الباب	٤-٨
92	٩ مواصفات المنتج	
92	تقنيات درج الخضروات	١-٩
92	منطقة تخزين الثلج	٢-٩

١ تعليمات السلامة ⚠️

AR

- يوضح هذا الجزء تعليمات السلامة اللازمة لمنع خطر الإصابة أو الضرر المادي.
- لا تتحمل شركتنا المسؤولية عن أي أضرار قد تقع إذا لم يتم التقيد بهذه التعليمات.
- يجب أن تُجرى عمليات التركيب والإصلاح دائماً من قبل مركز خدمة معتمد لدى الجهة المصنعة.
- لا تستخدم سوى قطع الغيار والملحقات الأصلية.
- لا تصلح أو تستبدل أي جزء من الجهاز إلا إذا ذكر ذلك صراحة في دليل المستخدم.
- لا تُجرى أي تعديلات على المنتج.

١-١ رموز السلامة المهمة ⚠️

⚡ خطر حدوث صدمة كهربائية!

📖 اقرأ دليل المستخدم.

⚠️ خطر قد يؤدي إلى الحروق نتيجة ملامسة الأسطح الساخنة.

🔥 مادة قابلة للاشتعال، تحذير من مخاطر الحريق.

⚠️ خطر الإصابة نتيجة ملامسة الأسطح الحادة!

☠️ خطر التعرض للأشعة فوق البنفسجية من النوع ج

٢-١ طريقة الاستخدام ⚠️

- هذا المنتج غير مناسب للاستخدام التجاري ولا ينبغي استخدامه لأي غرض آخر غير الغرض المقصود منه.
- هذا المنتج مخصص للتشغيل في المساحات الداخلية، مثل المنازل أو ما شابه ذلك.

مثال؛

- في مطابخ الموظفين بالمتاجر والمكاتب وبيئات العمل الأخرى ، في المزارع، في وحدات الفنادق أو الموتيلات أو مرافق الاستراحة الأخرى التي يستخدمها الزبائن، في النزل أو البيئات المماثلة ، في خدمات الضيافة وتقديم الطعام والتطبيقات المماثلة في غير محلات التجزئة.

- لا يجوز استخدام هذا المنتج في البيئات الخارجية المفتوحة أو المغلقة مثل السفن أو عربات التخيم أو الشرفات. قد يؤدي تعريض المنتج للمطر والثلج وأشعة الشمس والرياح إلى خطر نشوب حريق.

٣-١ سلامة الأطفال ⚠️

- يمكن للأطفال بعمر 8 أعوام فأكثر والأشخاص الذين يعانون من قدرات بدنية أو حسية أو عقلية محدودة أو يفتقرون للخبرة والمعرفة استخدام

- لا تضع سلك الطاقة أسفل المنتج أو في الجزء الخلفي منه. لا تضع عناصر ثقيلة على سلك الطاقة. يجب عدم ثني سلك الطاقة أو الضغط فوقه أو ملامسته لأي مصدر حرارة.
- استخدم الكابل الأصلي فقط. لا تستخدم الكابلات المقطوعة أو التالفة.
- لا تستخدم سلك تمديد أو مقبس متعدد أو محول لتشغيل منتجك.
- قد تؤدي المقابس المتعددة المحمولة أو مصادر الطاقة المحمولة إلى زيادة الحرارة وتسبب الحريق. وبالتالي، لا تضع مصادر طاقة محمولة متعددة المقابس خلف المنتج أو بالقرب منه.
- تُرجى إزالة كابل الطاقة من خطاف المكثف (إن وجد) في أثناء التركيب قبل توصيل المنتج بمصدر الطاقة.
- لا ينبغي أن يتمكن المستخدم من الوصول إلى الأجزاء الكهربائية بعد التركيب.
- لا تقم بتوصيل سلك الطاقة الخاص بالمنتج بمأخذ طاقة مفكوك أو تالف. قد ترتفع درجة حرارة هذه الأنواع من الوصلات وتسبب في نشوب حريق.
- يجب أن تكون هناك سهولة في الوصول إلى المقبس. إذا لم يكن ذلك ممكنًا، فيجب توفير آلية في التركيب تتوافق مع التشريعات الكهربائية وتفصل جميع المحطات الطرفية عن تمديدات الشبكة (المصهر، والمفتاح الرئيسي، الخ).

- هذا المنتج تحت الإشراف أو وفقًا للتعليمات الخاصة باستخدام الجهاز بطريقة آمنة شريطة أن يكونوا مدركين للمخاطر المتعلقة بذلك.
- يُسمح للأطفال الذين تتراوح أعمارهم بين 3 و 8 سنوات بوضع وإخراج الطعام من / إلى المنتج المبرد.
- يجب على الأطفال والحيوانات الأليفة عدم اللعب بالمنتج، أو التسلق عليه، أو دخوله.
- ويجب إبعاد الأطفال والحيوانات الأليفة عن منطقة الكابينة (الضاغط) حيث توجد بها الأجزاء الكهربائية.
- يجب ألا يقوم الأطفال بالتنظيف وصيانة المستخدم ما لم يكن هناك من يشرف عليهم.
- ابعدهم مواد التغليف عن الأطفال. خطر الإصابة والاختناق.
- إذا كان هناك قفل متوفر في باب المنتج، احفظ مفتاح القفل بعيدًا عن متناول الأطفال.

٤-١ ⚠️ السلامة الكهربائية

- يجب عدم توصيل المنتج بالمأخذ أثناء عمليات التركيب والصيانة والتنظيف والإصلاح والنقل.
- في حالة تلف سلك الطاقة، فيجب استبداله بواسطة الخدمة المعتمدة فقط لتجنب أي خطر قد يحدث.

الأمر كذلك، فاتصل بغني كهربائي وسباك مؤهل لترتيب المرافق حسب الضرورة.

• قد يؤدي عدم القيام بذلك إلى حدوث صدمة كهربائية أو نشوب حريق أو مشاكل بالمنتج أو حدوث إصابة.

• قبل بدء التثبيت، قم بإيقاف تشغيل المصهر لفصل الطاقة عن خط الطاقة الذي يتصل به المنتج.

• ينبغي تركيب المنتج من قبل شخصين أو أكثر. استخدم القفازات الواقية عند إزالة المنتج من عبوته وتركيبه.

• صُمم هذا المنتج للاستخدام على ارتفاع أقصاه 2000 متر فوق مستوى سطح البحر.

• ابعد الأطفال بعيداً عن منطقة التثبيت. تحقق من عدم وجود أي ضرر في المنتج قبل تثبيته. لا توصل الجهاز بالكهرباء إذا كان متضرراً.

• استخدم دائماً معدات الحماية الشخصية (القفازات، إلخ) أثناء تركيب المنتج وصيانته وإصلاحه. خطر حدوث إصابات.

• لا تقم بتثبيت المنتج أو تركه في أماكن قد يتعرض فيها لدرجات الحرارة المحيطة الخارجية.

• ضع المنتج على سطح نظيف ومستو وصلب وقم بموازنته مع الأرجل القابلة للتعديل (عن طريق تدوير القدمين الأماميتين إلى اليمين أو اليسار). ولا فقد تنقلب الثلاجة وتتسبب في حدوث إصابات.

• يجب عدم تشغيل المنتج باستخدام جهاز تحويل خارجي مثل مؤقت، أو نظام تحكم عن بُعد.

• لا تستخدم المنتج عندما تكون قدميك عاريتين أو يكون جسمك مبللاً.

• لا تلمس القابس بأيدي مثقلة! عند فصل الجهاز، لا تمسك كابل الطاقة، بل القابس.

• تأكد من أن القابس ليس مبللاً أو متسخاً أو مغبراً.

• لا تقم مطلقاً بتوصيل منتجك بأجهزة توفير الطاقة. هذه الأنظمة ضارة بالمنتج.

! ٥-١ سلامة نقل المنتج

• تأكد من فصل الجهاز عن الكهرباء قبل حمل المنتج.

• هذا المنتج ثقيل، لا تحمله بمفردك. فقد تحدث إصابات إذا وقع المنتج عليك. لا تصطدم المنتج أو تسقطه أثناء نقله.

• أغلق الأبواب دائماً ولا تمسك المنتج من أبوابه أثناء نقله.

• احرص على عدم إتلاف نظام التبريد والأنابيب أثناء نقل المنتج. لا تقم بتشغيل المنتج في حالة تلف الأنابيب، واتصل بخدمة معتمدة.

! ٦-١ سلامة التركيب

• لإعداد الجهاز للاستخدام، انظر المعلومات في دليل المستخدم والتركيب، وتأكد أن منافع الكهرباء والماء كما هو مطلوب. إذا لم يكن

- يجب ألا يكون المنتج متصلًا بأنظمة الإمداد ومصادر الطاقة التي قد تسبب تغييرات مفاجئة في الجهد (أي، مصدر طاقة شمسي محمول). خلاف ذلك ، قد يحدث تلف لمنتجك نتيجة لتقلبات الجهد المفاجئة!
- كلما زادت كمية غاز التبريد في الثلاجة ، زادت مساحة الغرفة التي يجب تركيب الثلاجة بها. في الغرف الصغيرة جدًا ، قد يتشكل خليط غاز-هواء قابل للاشتعال في حالة تسرب الغاز في نظام التبريد. يطلب ما لا يقل عن 1 متر مكعب من الحجم لكل 8 جرام من سائل التبريد. تم تحديد كمية مادة التبريد المتوفرة في منتجك في ملصق النوع.
- لا يجوز أبدًا وضع المنتج بطريقة تجعل كابلات الطاقة، أو الخرطوم المعدني لموقد الغاز، أو أنابيب الغاز المعدني أو أنابيب المياه تتلامس مع الجدار الخلفي للمنتج (أو المكثف).
- يجب ألا يتعرض مكان تركيب المنتج لأشعة الشمس المباشرة، كما يجب ألا يكون بالقرب من مصدر حرارة مثل المواقد، والرادياتير وما إلى ذلك، وإذا لم تتمكن من منع تركيب المنتج بالقرب من مصدر الحرارة، فاستخدم لوح عزل مناسب وتأكد من أن الحد الأدنى للمسافة إلى مصدر الحرارة كما هو محدد أدناه:
- توخ الحذر لتجنب التسبب في أي ضرر للأرضيات (البلاط وما إلى ذلك) في أثناء نقل المنتج. ركب المنتج على الأرض أو وفر الدعم الكافي حسب الحجم والوزن وسبب استخدام المنتج. تأكد من عدم وجود المنتج بالقرب من مصدر حرارة، وأن جميع أقدامه الأربعة ثابتة ومستقرة على الأرض. ركب المنتج حسب الحاجة وتأكد من استوائه أفقيًا باستخدام ميزان استواء فقاعي. انتظر لمدة ساعتين على الأقل قبل تشغيل المنتج لضمان الكفاءة الكاملة لدائرة مادة التبريد.
- يجب تركيب المنتج في بيئة جافة وجيدة التهوية. لا تضع سجاد أو بسط أو أغطية مشابهة أسفل المنتج. قد يؤدي ذلك إلى نشوب حريق نتيجة التهوية الغير كافية!
- لا تسد أو تغطي فتحات التهوية. بخلاف ذلك، يزيد استهلاك الطاقة وقد يتلف منتجك.
- اترك مساحة كافية عند جوانب المنتج وفوقه لضمان تهويته بشكل كافٍ. يجب أن يكون مقاس الفجوة بين اللوحة الخلفية والحائط خلف المنتج 50 مم على الأقل لمنع سخونة الأسطح. قد يؤدي تقليل هذه المسافة إلى زيادة استهلاك المنتج للطاقة.
- عند وضع المنتج، تأكد من أن كابل الإمداد غير تالف أو مقروص.

وغرفة الغسيل وما إلى ذلك) إذا كانت
الثلاجة مبللة بالمياه ، افصلها واتصل
بالخدمة المعتمدة.

- لا تقم بتوصيل ثلاجتك بأجهزة توفير
الطاقة. هذه الأنظمة ضارة بالمنتج.
- هناك خطر ملامسة الأجزاء الكهربائية
عند إزالة غطاء اللوحة الإلكترونية
والغطاء الخلفي للضاغط (إذا تم
تركيبه). لا تقم بإزالة غطاء اللوحة
الإلكترونية والغطاء الخلفي للضاغط
(إذا تم تركيبه). هناك خطر حدوث
صعق كهربائي!

⚠️ ٧-١ السلامة التشغيلية

- لا تستخدم المذيبات الكيميائية على
المنتج. تسبب هذه المواد خطر
الانفجار.
- في حالة تعطل المنتج، افصله (أو قم
بفصل المصهر المتصل به)، ولا تقم
بتشغيله حتى يتم إصلاحه بواسطة
الخدمة المعتمدة. فهناك خطر
الصدمة الكهربائية!
- لا تضع اللهب (شمعة مضاءة،
سيجارة، إلخ) أو مصادر الحرارة
(المكواة، الموقد، الفرن، إلخ) على
المنتج أو بالقرب منه. لا تضع مواد
قابلة للاشتعال أو متفجرة بالقرب من
المنتج...
- لا تصعد على المنتج. هناك خطر
السقوط والإصابة!
- لا تلتف أنابيب نظام التبريد باستخدام
أدوات حادة وثاقبه. قد يتسبب سائل
التبريد الذي قد يتم رشه في حالة

- - على بعد 30 سم على الأقل من
مصادر الحرارة مثل المواقد
والأفران ووحدات التسخين
والسخانات وما إلى ذلك،

- - وعلى بعد 5 سم على الأقل من
الأفران الكهربائية.

- منتجك من فئة الحماية الأولى.
- قم بتوصيل المنتج بمقبس مؤرض
يتوافق مع قيم الجهد والتيار والتردد
المحددة في ملصق النوع. يجب أن
يحتوي المقبس على فتيل 10 أمبير -
16 أمبير. لا تتحمل شركتنا المسؤولية
عن أية أضرار بسبب الاستعمال بدون
تأريض أو بدون توصيل الطاقة طبقاً
للأنظمة المحلية.
- يجب فصل كبل طاقة الجهاز أثناء
التركيب. خلاف ذلك، قد يحدث خطر
حدوث صدمة كهربائية وإصابة!
- لا توصل المنتج بمقابس أو مآخذ
مفكوكة أو مكسورة أو متسخة أو
دهنية خارجة عن مواضعها أو مقابس
ذات خطر ملامسة الماء. قد ترتفع
درجة حرارة هذه الأنواع من
الوصلات وتتسبب في نشوب حريق.
- ضع سلك الطاقة وخرطوم المنتج (إن
وجدت) بحيث لا تسبب خطر التعثر.
- قد يتسبب دخول الرطوبة أو السوائل
إلى الأجزاء الكهربائية أو سلك الطاقة
في حدوث قصر في الدائرة
الكهربائية. بالتالي، لا تستخدم المنتج
في البيئات الرطبة أو في المناطق
التي قد تتناثر فيها المياه (مثل المرآب

- للاشتعال ، والثلج الجاف أو غيرها من المواد الكيميائية في محيط الثلجة. خطورة الحريق والانفجار!
- لا تخزن المواد القابلة للانفجار مثل علب الأيروسول التي تحتوي على مواد قابلة للاشتعال داخل المنتج.
- لا تضع العلب المحتوية على سوائل فوق المنتج بشكل مفتوح. قد يؤدي تناثر الماء على جزء كهربائي إلى حدوث صدمة كهربائية أو نشوب حريق.
- لا تخزن الأوعية الزجاجية التي تحتوي على سائل بداخلها في حجرة التجميد نظراً لخطر حدوث كسر.
- هذا المنتج غير مخصص لتخزين وتبريد الأدوية أو بلازما الدم أو المستحضرات المخبرية أو المواد والمنتجات المماثلة التي تخضع لتوجيه المنتجات الطبية.
- إذا تم استخدام المنتج لغرض غير الغرض المقصود منه، فقد يتسبب ذلك في تلف المنتجات المخزنة بالداخل أو تدهور جودتها.
- إذا كانت ثلاجتك مزودة بضوء أزرق ، فلا تنظر إلى هذا الضوء بالأجهزة البصرية. لا تحقق مباشرة في ضوء الأشعة فوق البنفسجية LED لفترة طويلة. قد تسبب الأشعة فوق البنفسجية إجهاد العين.
- لا تملأ المنتج بمحتويات تزيد عن سعته. لا تستخدم أي إجراءات غير تلك الموصى بها من قبل الشركة المصنعة لتسريع عملية إزالة الجليد.
- ثقب أنابيب الغاز أو تمديدات الأنابيب أو غلاف السطح العلوي في حدوث تهيج للجلد وإصابات في العين.
- لا تدخل في دائرة التبريد أو تلتفها. خطر الانفجار.
- لا تضع وتشغل الأجهزة الكهربائية داخل الثلاجات / المجمد ما لم ينصح المصنع بذلك.
- لا تستخدم أي إجراءات غير تلك الموصى بها من قبل الشركة المصنعة لتسريع عملية إزالة الجليد.
- انتبه حتى لا تحشر أي جزء من يديك أو جسمك في الأجزاء المتحركة داخل المنتج. احرص على عدم انحسار أصابعك بين الثلجة وبابها. كن حذراً أثناء فتح وإغلاق الباب إذا كان هناك أطفال بالجوار.
- لا تضع الثلجات أو مكعبات الثلج أو الأطعمة المجمدة في فمك بمجرد إخراجها من الفريزر. خطر حدوث عضة صقيع!
- لا تلمس الجدران الداخلية أو الأجزاء المعدنية من المجمد أو الأطعمة المحفوظة داخل المجمد وبيدك مبتلة. خطر حدوث عضة صقيع!
- لا تضع علب الصودا أو العلب والزجاجات التي تحتوي على سوائل يمكن تجميدها في حجرة التجميد. قد تنفجر العلب أو الزجاجات. هناك خطر حدوث إصابة وأضرار مادية!
- لا تستخدم أو تضع مواداً حساسة ضد درجة الحرارة مثل البخاخات القابلة للاشتعال ، والأشياء القابلة

- يحتوي نظام التبريد في منتجك على ميرد R600a. يتم تحديد نوع مادة التبريد المستخدمة في المنتج في ملصق النوع. هذا الغاز سريع الاشتعال. لذلك احرص على عدم إتلاف نظام التبريد والأنابيب أثناء تشغيل المنتج. في حالة تلف الأنابيب ؛
 1. لا تلمس المنتج أو سلك الطاقة،
 2. احتفظ بالمنتج بعيداً عن مصادر الحريق المحتملة التي قد تسبب في اشتعال المنتج.
 3. قم بتهوية المنطقة التي وضع فيها المنتج. لا تستخدم مروحة.
 4. قم بالاتصال بالخدمة المعتمدة.
- قبل التخلص من المنتجات القديمة التي لا يجب استخدامها بعد الآن:
 1. أفضل سلك الطاقة من مأخذ التيار.
 2. اقطع سلك الطاقة وقم بإزالته من الجهاز مع القابس.
 3. لا تقم بإزالة الرفوف والأدراج من المنتج لمنع الأطفال من الدخول إلى الجهاز.
 4. فك الأبواب
 5. قم بتخزين المنتج بحيث لا ينقلب.
 6. لا تسمح للأطفال بالعبث بالجهاز المفكك.
 7. في حالة تلف المنتج ولاحظت تسرب الغاز ، يرجى الابتعاد عن الغاز. قد يسبب الغاز قضمة الصقيع إذا لامس جلدك.
- لا تتخلص من المنتج برميهِ في النار. خطر الانفجار.
- قد تحدث إصابات أو أضرار إذا سقطت محتويات الثلاجة عند فتح الباب. قد تحدث مشكلات مماثلة عند وضع شيء ما فوق المنتج.
- تأكد من إزالة أي جليد أو ماء قد يكون سقط على الأرض لمنع الإصابات.
- قم بتغيير أماكن الرفوف / أرفف الزجاجات على باب الثلاجة عندما تكون الأرفف فارغة فقط. خطر الإصابة!
- لا تضع أشياء قد تسقط / تنقلب على المنتج. قد تسقط هذه الأشياء أثناء فتح الباب أو إغلاقه وتسبب إصابات و / أو أضرار مادية.
- لا تضرب أو تمارس ضغطاً زائداً على الأسطح الزجاجية. قد يتسبب الزجاج المكسور في حدوث إصابات و / أو أضرار مادية.
- بالنسبة للمنتجات المصممة لتستخدم مرشح هواء داخل غطاء مروحة يمكن الوصول إليه، يجب أن يكون المرشح في مكانه دائماً عند تشغيل الثلاجة.
- لا تحجب المروحة (إن وجدت) بوضع الطعام أمامها.
- ينبغي استبدال الحشيات التالفة في أقرب وقت ممكن.
- قد يحتوي منتجك على حجرات خاصة (مثل حجرة الطعام الطازج وحجرة الدرجة صفر وما إلى ذلك). يمكن إزالة هذه الحجرات واستخدام المنتج بنفس الأداء ما لم يُذكر خلاف ذلك في دليل المنتج المعني.

- تأكد من أن فتحات الحجرات، لا سيما باب المجمد، مغلقة بشكل صحيح بعد وضع الأطعمة.

- استخدم حجرة التلاجة لتخزين الأطعمة الطازجة، وحجرة المجمد لتخزين الأطعمة المجمدة وتجميد الأطعمة الطازجة وصنع مكعبات الثلج.

- لا تخزن الأطعمة من دون إحكام غلقها بشكل صحيح في حجرات التلاجة والمجمد لمنع ملامستها للأسطح الداخلية مباشرة.

9-1 ⚠️ سلامة الصيانة والتنظيف

- افصل التلاجة أو قم بفصل التيار الكهربائي عن المصهر قبل تنظيفها أو البدء في إجراء الصيانة.
- لا تسحب من الباب أو مقبض الباب إذا كنت ستنتقل المنتج لأغراض التنظيف. قد يتسبب الباب في حدوث إصابات إذا تم سحب المقبض بقوة.
- لا تضع يديك أو قدميك أو أشياء معدنية أسفل المنتج أو خلفه. فقد يحدث سحق ليديك أو قد تتسبب أي حافة حادة في حدوث إصابات شخصية.

- لا تغسل الجزء الداخلي أو الخارجي من المنتج بغسالة الضغط أو البخار أو رش الماء أو سكب الماء. خطر حدوث صدمة كهربائية وحرق.
- عند تنظيف المنتج، لا تستخدم أدوات حادة وكاشطة أو مواد تنظيف منزلية، ومنظفات، وغاز، وبنزين، ومخفف

- إذا كان هناك قفل متوفر في باب المنتج، احفظ مفتاح القفل بعيداً عن متناول الأطفال.

8-1 ⚠️ سلامة تخزين الطعام

يرجى الانتباه إلى التحذيرات التالية لتجنب تلف الطعام:

- قد يؤدي ترك الأبواب مفتوحة لفترة طويلة إلى ارتفاع درجة الحرارة داخل المنتج.
- نظف بانتظام أنظمة الصرف التي يمكن الوصول إليها عند ملامستها للطعام.
- قم بتنظيف خزانات المياه التي لم يتم استخدامها لمدة 48 ساعة وأنظمة المياه التي يتم تغذيتها بالتيار الكهربائي والتي لم يتم استخدامها لأكثر من 5 أيام.
- قم بتخزين اللحوم النيئة ومنتجات الأسماك في أجزاء مناسبة داخل المنتج بحيث لا تقطر أو تتلامس مع الأطعمة الأخرى.
- تُستخدم حجرات المجمد ذات النجمتين لتخزين الأطعمة المعبأة مسبقاً، وصنع وتخزين الثلج والآيس كريم.
- المقصورات ذات النجوم الواحدة والنجمة والثلاثة نجوم، غير مناسبة لتجميد الأطعمة الطازجة.
- إذا تم ترك منتج التبريد فارغاً لفترة طويلة، فقم بإيقاف تشغيل المنتج، وقم بإذابة المنتج وتنظيفه وتجميده من أجل حماية غلاف المنتج.

⚠️ ١٠-١ الإنارة

اتصل بالخدمة المعتمدة عندما يتعين عليك استبدال مصباح ليد LED / المصباح المستخدم للإضاءة.

⚠️ ١١-١ التخلص من المنتج القديم

- عند التخلص من منتجك القديم، اتبع التعليمات التالية:
- لمنع الأطفال من القفل على أنفسهم عن طريق الخطأ داخل المنتج، إذا كان هناك قفل باب، فقم بتعطيله.
- يعد رذاذ سائل التبريد ضاراً بالعينين. لا تلتف أي جزء من نظام التبريد أثناء التخلص من المنتج.
- قد يكون زيت الضاغط مميّناً إذا تم ابتلاعه أو إذا احترق الجهاز التنفسي.
- يشتمل نظام التبريد الخاص بمنتجك على غاز R600a كما هو محدد في ملصق النوع. هذا الغاز سريع الاشتعال. لا تتخلص من المنتج برميته في النار. خطر الانفجار!
- ج - يُستخدم البتتان كمادة نفخ في الرغوة العازلة وهو مادة قابلة للاشتعال. لا تتخلص من المنتج برميته في النار.

الدهان، والكحول، والورنيش، والمواد المماثلة. استخدم فقط عوامل التنظيف والصيانة غير الضارة بالطعام داخل المنتج.

- لا تستخدم المناشف الورقية أو اسفنج تنظيف المطبخ أو غيرها من مواد التنظيف الصلبة.
- لا تستخدم مواد التنظيف بالبخار أو البخار لتنظيف المنتج وإذابة الثلج بداخله. يلامس البخار المناطق الكهربائية في ثلاجتك ويسبب ماساً كهربائياً أو صدمة كهربائية!
- لا تستخدم أي أدوات ميكانيكية أو أي أدوات أخرى لتسريع عملية الذوبان غير الأدوات التي توصي بها الشركة المصنعة.
- احرص على إبقاء الماء بعيداً عن فتحات التهوية والدوائر الإلكترونية أو إضاءة المنتج. خلاف ذلك ، قد يحدث خطر نشوب حريق أو صدمة كهربائية.
- استخدم قطعة قماش نظيفة وجافة لمسح الغبار أو المواد الغريبة على أطراف القوابس. لا تستخدم قطعة قماش رطبة أو مبللة لتنظيف القابس. خلاف ذلك ، قد يحدث خطر نشوب حريق أو صدمة كهربائية.

⚠️ ١٢-١ معلومات تقنية عن Bluetooth + Wi-fi

نطاق التردد:	2.4 جيجا هرتز (خاصية Wi-fi أو bluetooth)
قوة الإرسال القصوى:	100 مجاوات (خاصية Wi-fi أو bluetooth)
نفاصيل البرمجة:	Quartz_WiFi.XXX

٢ التعليمات البيئية

١-٢ الامتثال للوائح AEEE والتخلص من

النفايات

لا يحتوي هذا المنتج على مواد خطرة ومحظورة محددة في "لوائح التحكم في نفايات المعدات الكهربائية والإلكترونية" الصادرة عن وزارة البيئة والتخطيط العمراني التركية.



المطابقة للمعايير ومعلومات الاختبار /

إعلان مطابقة المعايير الأوروبية

تتوافق مراحل تطوير هذا المنتج وتصنيعه

ويبعه مع قواعد السلامة الواردة في جميع

الإرشادات ذات الصلة الصادرة عن الاتحاد

الأوروبي. EU, 2014/30/EU, 2014/35

93/68/EC, IEC 60436/DIN 44990, EN

50242



يتوافق مع لوائح نفايات المعدات الكهربائية والإلكترونية. تم تصنيع هذا المنتج من أجزاء ومواد عالية الجودة وقابلة لإعادة التدوير والاستخدام. لذلك، لا تتخلص من هذا المنتج مع

النفايات المنزلية الأخرى في عمره الافتراضي. ضعه في نقطة تجميع للأجهزة الكهربائية والإلكترونية. يرجى الاستفسار من السلطات المحلية فيما يتعلق بمناطق التجميع هذه. يمكنك المساعدة في حماية البيئة والموارد الطبيعية من خلال تقديم المنتجات المستخدمة لإعادة التدوير.

٢-٢ معلومات مواد التغليف

غلاف المنتج مصنوع من مواد قابلة للتدوير،

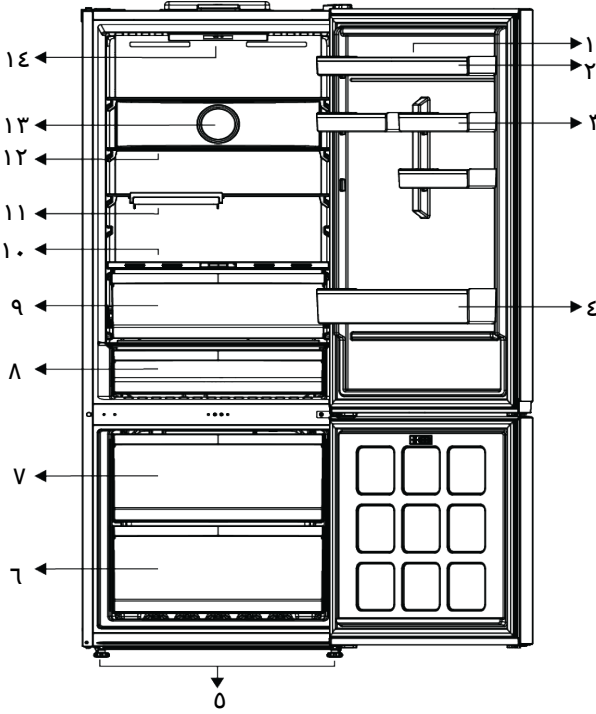
طبقاً لأنظمة البيئة المحلية. لا تتخلص من

نفايات التغليف مع النفايات المنزلية أو

النفايات الأخرى، وتخلص منها في مناطق

التجميع المحددة من قبل السلطات المحلية.





- | | |
|-------------------------------------|-------------------------------|
| ٢ حامل البيض | ١ *أرفف الباب القابلة للتعديل |
| ٤ *رف الزجاجات | ٣ *أرفف باب صغيرة |
| ٦ *أدرج حجرة المجمد | ٥ الأرفف القابلة للتعديل |
| ٨ *درج التخزين البارد | ٧ حاوية صندوق الثلج |
| ١٠ * درج الخضروات المتحكم في رطوبته | ٩ رف الخضروات |
| ١٢ *الرف الزجاجي القابلة للتعديل | ١١ *رف المشروبات القابل للطي |
| ١٤ الإنارة | ١٣ مروحة |

***اختياري:** إن الأشكال المذكورة في دليل المستخدم هذا هي تخطيطه وقد لا تتطابق مع جهازك تماما. إذا كان جهازك لا يشمل على الأجزاء ذات الصلة، فإن المعلومات تعود لطراز أخرى.

٤ التركيب

اقرأ "تعليمات الأمان" أولاً!

١-٤ المكان المناسب للتركيب

اتصل بخدمة الصيانة المعتمدة من أجل تركيب الجهاز. لإعداد الجهاز للتركيب، انظر المعلومات في دليل المستخدم وتأكد أن منافع الكهرباء والماء كما هو مطلوب. إذا لم يكن الأمر كذلك، فاتصل بغني كهربائي وسباك مؤهل لترتيب المرافق حسب الضرورة.

- ضع الجهاز على سطح منبسط لتجنب الاهتزاز
- ضع الجهاز على بعد 30 سم على الأقل من المدفأة والموقد مصادر الحرارة الأخرى 50 سم على الأقل من الأفران الكهربائية.
- عند وضع مبردين في موضع مجاور، اترك مسافة 4 سم على الأقل بين الوحدتين.
- احفظ المنتج بعيداً عن أشعة الشمس المباشرة وفي مكان جاف.
- يتطلب المنتج الخاص بك توزيع الهواء بصورة كافية حتى يعمل بكفاءة. إذا كنت ستضع الجهاز في تجويف بالجدار، فتذكر ترك خلوص لا يقل عن 5 سم بين الجهاز وكل من السقف والجدار الخلفي والجدران الجانبية.
- تأكد أن مكوّن الحماية الخاص بالخلوص بين الجهاز والجدار الخلفي موجود في مكانه (إذا كان مزوداً مع المنتج).
- في حالة عدم توفر المكون المشار إليه أعلاه، أو في حالة فقدانه أو سقوطه، ضع الجهاز مع ترك خلوص لا يقل عن 5 سم بين السطح الخلفي للجهاز وجدار الغرفة. الخلوص في خلفية الجهاز مهم لتشغيل الجهاز بكفاءة.

٢-٤ تثبيت الأوتاد البلاستيكية

استخدم الأوتاد البلاستيكية المزودة مع الجهاز لتوفير مساحة كافية لتوزيع الهواء بين الجهاز والجدار.

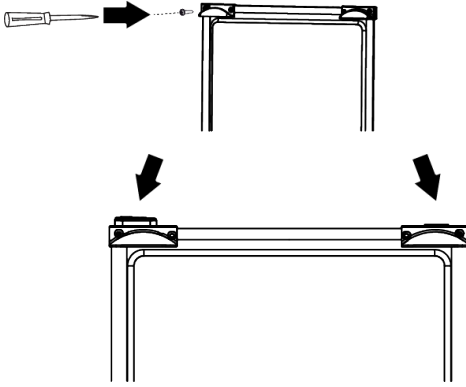
٥ الإعداد

اقرأ "تعليمات الأمان" أولاً!

١-٥ إجراءات توفير الطاقة

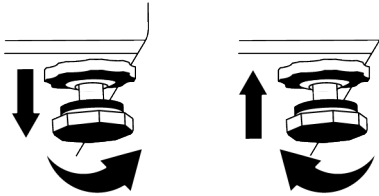
- جهاز التبريد هذا غير مخصص للاستخدام كجهاز مدمج؛
- عند وضع الطعام، اترك مساحة كافية داخل الثلاجة للسماح بدوران الهواء الكافي للتبريد.

1. لتثبيت الأوتاد، فك البراغي الموجودة على المنتج واستخدم البراغي المزودة مع الأوتاد.
2. ركب وتدبين على غطاء التهوية كما هو موضح في الشكل.



٣-٤ ضبط أقدام المنتج

إن لم يكن الجهاز في وضع متوازن، اضبط الأقدام الأمامية القابلة للتعديل بإدارتها إلى اليمين أو اليسار.



٤-٤ تحذير سطح ساخن

تم تجهيز الجدران الجانبية لمنتجك بأنايب تبريد لتعزيز نظام التبريد. قد يتدفق السائل ذو الضغط المرتفع عبر هذه الأسطح، وبسبب سخونة للأسطح على الجدران الجانبية. هذا أمر طبيعي ولا يتطلب صيانة.

- نظراً لأن الهواء الساخن والرطب لن يتغلغل بشكل مباشر في منتجك عند عدم فتح الأبواب، فإن منتجك سيحسن نفسه في ظروف كافية لحماية طعامك. في ظل هذه الظروف، ستعمل الوظائف والمكونات مثل الصاغط، والمروحة،

- والسخان، وخاصة إزالة الصقيع، والإضاءة، والشاشة، وما إلى ذلك، وفقاً للاحتياجات من خلال استهلاك الحد الأدنى من الطاقة.
- في حالة وجود خيارات متعددة، يجب وضع أرفف زجاجية بحيث لا يتم سد منافذ الهواء الموجودة في الجدار الخلفي، ويفضل بحيث تبقى منافذ الهواء أسفل الرف الزجاجي. قد يساعد هذا المزيج في تحسين توزيع الهواء وكفاءة الطاقة.
- يوصى بشدة باستخدام الدرج السفلي عند التخزين.
- للحصول على الأداء الأمثل، يمكن استخدام التجميد السريع (إذا كان متاحاً)، قبل 24 ساعة من وضع الأطعمة الطازجة في الفريزر.
- في معظم الحالات، تكون 24 ساعة كافية لوظيفة التجميد السريع بعد وضع الأطعمة الطازجة في الفريزر. بعد مرور بعض الوقت، سيتم إلغاء تنشيط وظيفة التجميد السريع تلقائياً.
- عند تجميد كمية صغيرة من الطعام، يمكن إلغاء تنشيط وظيفة التجميد السريع بعد مرور بعض الوقت لضمان توفير الطاقة.
- بناء على سمات المنتج؛ تضمن إذابة الأطعمة المجمدة في حجرة المبرد توفير الطاقة والمحافظة على جودة الطعام.
- من أجل تحميل الحد الأقصى من الأطعمة في مبرد الثلجة، يجب إخراج الأدرج العلوية ووضع الطعام في الأرفف الزجاجية/السلكية.
- خزن الطعام في حجرة المبرد أو مقصورة المبرد وفقاً لظروف التخزين المناسبة لتوفير الطاقة.
- يجب ألا تكون عبوات الطعام على تلامس مباشر بمستشعر درجة الحرارة الموجود في مقصورة المجمد.

٣-٥ فئة المناخ والتعاريف

- يرجى الرجوع إلى فئة المناخ على لوحة التصنيف الخاصة بجهازك. تنطبق إحدى المعلومات التالية على جهازك وفقاً لفئة المناخ.
- SN: المناخ المعتدل على المدى الطويل: تم تصميم جهاز الجهاز هذا للاستخدام في درجات حرارة محيطية تتراوح بين 10 درجة مئوية و 32 درجة مئوية.
- N: المناخ المعتدل: تم تصميم جهاز الجهاز هذا للاستخدام في درجات حرارة محيطية تتراوح بين 16 درجة مئوية و 32 درجة مئوية.
- ST: المناخ شبه الاستوائي: تم تصميم جهاز الجهاز هذا للاستخدام في درجات حرارة محيطية تتراوح بين 16 درجة مئوية و 38 درجة مئوية.
- T: المناخ الاستوائي: تم تصميم جهاز الجهاز هذا للاستخدام في درجات حرارة محيطية تتراوح بين 16 درجة مئوية و 43 درجة مئوية.

٢-٥ الاستخدام لأول مرة

- قبل استخدام منتجك، تأكد من إجراء الإعدادات الضرورية انسجاماً مع التعليمات المذكورة في أقسام "تعليمات السلامة" و"التركيب".
- انتظر لمدة ساعتين على الأقل قبل تشغيل المنتج، لضمان كفاءة التبريد الكاملة.

٦ تشغيل المنتج

- اقرأ "تعليمات الأمان" أولاً!
- يجب استخدام المنتج لتخزين المواد الغذائية فقط.
- أغلق صمام المياه إذا كنت ستبقى بعيداً عن المنزل (على سبيل المثال في إجازة) ولن تستخدم صانعة الثلج أو موزع المياه لفترة طويلة من الوقت. خلاف ذلك، قد يحدث تسرب للمياه.

- انتظر حتى يذوب الثلج، وقم بتنظيف الجزء الداخلي وأتركه يجف، واترك الأبواب مفتوحة لتجنب إتلاف البلاستيك الداخلي للجسم.

فصل قابس المنتج عن الكهرباء
• قم بإزالة الطعام لمنع الروائح.

AR ٧ لوحة التحكم في منتجك

*

يمكن ضبط درجة الحرارة بين 1-8 درجة مئوية لمقصورة التبريد وبين 24- و15 درجة مئوية لمقصورة التجميد. قد تختلف قيم درجات الحرارة القابلة للضبط بشرط أن تكون ضمن هذه النطاقات وفقاً لمواصفات المنتج.

٨ استخدام المنتج

اقرأ قسم "تعليمات الأمان" أولاً!



١-٨ تخزين الطعام في منتجك

تخزين الطعام في مقصورة وحجرة المبرد

- قد يؤدي تخزين الفواكه الاستوائية غير الناضجة (المانجو وأصناف البطيخ والبابايا والموز) (والأناناس) في الثلاجة، إلى تسريع عملية النضج، ولا ينصح بذلك لأنه سيؤدي إلى تقليل وقت التخزين.
- يجب تخزين البصل والثوم والأصابع والخضروات الجذرية الأخرى في ظروف الغرفة المظلمة والباردة، وليس في الثلاجة.
- إذا لاحظت تلف الطعام في الثلاجة، فتخلص من هذا الطعام ونظف الملحقات التي لامست الطعام.
- من أجل تبريد وجبات الطعام مثل الحساء واليخانات، والتي يتم طهيها في القدور الكبيرة، يمكنك بسرعة وضعها في الثلاجة عن طريق فصلها في أوانيها الضحلة.
- ضع الأطعمة غير المعبأة بعيداً عن البيض.
- احتفظ بالفواكه والخضروات بشكل منفصل وقم بتخزين كل نوع معاً (على سبيل المثال، تفاح مع تفاح وجزر مع جزر).
- أخرج الخضروات من الكيس البلاستيكي وضعها في الثلاجة بعد لفها بمنشفة ورقية أو قطعة قماش تجفيف. إذا قمت بغسل هذا النوع من الطعام قبل وضعه في الثلاجة، فتذكر أن تجففه.
- يمكنك إنشاء بيئة رطبة وتوفير تدفق للهواء عن طريق الاحتفاظ بالفواكه والخضروات المعرضة للجفاف في الأكياس البلاستيكية المثقبة أو غير المغلقة.
- باستثناء الحالات التي تتوفر فيها ظروف بيئية شديدة، إذا تم ضبط منتجك (في جدول القيم المحددة الموصى بها) على القيم المحددة

- ترتفع درجات حرارة المقصورة بشكل بارز إذا تم فتح باب الحجرة وإغلاقه بشكل متكرر وظل مفتوحاً لفترة طويلة، فقد يؤدي ذلك إلى تقليل العمر الافتراضي للطعام وتلف الطعام.
- من أجل عدم إحداث تغييرات في الرائحة والمذاق، يجب تخزين الطعام في عبوات مغلقة.
- لتحقيق تبريد أفضل ومتجانس، ضع الطعام بشكل منفصل بحيث يمكن للهواء البارد أن يتجول فيه.
- قم بتوفير تدفق الهواء من خلال ترك مسافة بين الطعام والجدار الداخلي. إذا قمت بوضع الطعام على الحائط الخلفي، فقد يتجمد الطعام.
- أترك الوجبات الساخنة المطبوخة حتى تصل إلى درجة حرارة الغرفة قبل وضعها في الثلاجة. بعد ذلك، يمكنك وضع الوجبة الفاترة في الأرفف السفلية للثلاجة. ضع الأطعمة الدافئة بعيداً عن الأطعمة القابلة للتلف.
- انتبه بشكل خاص إلى عدم خلط الأطعمة المباعرة كمجمدة مع الأطعمة الطازجة.
- قم بإذابة طعامك المجمد في مقصورة المبرد. وبالتالي، يمكنك تبريد مقصورة المبرد باستخدام الأطعمة المجمدة وتوفير الطاقة.

المحددة، فإن الطعام يحافظ على نضارته لفترة أطول في كل من مقصورة المبرد ومقصورة المجمد.

• لا تخرن الخضراوات الحساسة للبرد، مثل الخضراوات الورقية والطماطم والخيار، في مقصورة المبرد. إذا كنت بحاجة إلى استخدام أدراج مقصورة المبرد لتخزين الخضراوات، فتأكد من ضبط لوحة التحكم في نلاجتك على 5 درجات مئوية أو أقل.

تخزين الطعام في مقصورة التبريد في مقصورة المبرد، تتراوح درجة حرارة الطعام المراد تخزينه بين +3 و-3 درجات مئوية. قد تنخفض درجة الحرارة في حجرة التبريد عن 0 درجة مئوية، وهذا غير مناسب لتخزين الفواكه والخضراوات الطازجة. إذا كنت بحاجة إلى تخزين طعام طازج في أدراج التبريد، فتأكد من ضبط درجة حرارة الثلاجة على 5 درجات مئوية أو أكثر.

قم بتخزين الأطعمة في أماكن مختلفة حسب خصائصها:	
الموقع	الطعام
أرفف الباب	البيض
إذا كانت متوفرة، حجرة الدرجة الصفر (لطعام الإفطار) / مقصورة المبرد	منتجات الألبان (الزبدة والجبن)
حجرة الفواكه والخضراوات أو درج الخضراوات؛ في حجرة الطعام الطازج، أو درج الخضراوات، أو درج Everfresh+ (إن وجد)، شريطة ضبط درجة حرارة الثلاجة على أعلى من 5 درجات مئوية.	الفواكه والخضراوات والبانات الخضراء
إذا كانت متوفرة، حجرة الدرجة الصفر (لطعام الإفطار) / مقصورة المبرد	اللحوم الطازجة والدواجن والأسماك والتفاح وما إلى ذلك الأطعمة المطبوخة
الأرفف العلوية أو رف الباب	الأطعمة الجاهزة للتقديم والمنتجات المعبأة والأطعمة المعلبة والمخللات
أرفف الباب	المشروبات والزجاجات والتوابل والوجبات الخفيفة

تخزين الطعام في مقصورة المجمد

- يمكنك تنشيط وظيفة التجميد السريع قبل 4-6 ساعات من وظيفة التجميد وإجراء تبريد أسرع.
- ضع الوجبات الساخنة في درجة حرارة الغرفة قبل وضعها في مقصورة المجمد.
- يجب تقسيم الأطعمة المراد تجميدها إلى حصص حسب الكمية المراد استهلاكها، مع تجميدها في عبوات منفصلة.
- يوصى بتعبئة الأطعمة قبل وضعها في المجمد.
- من أجل منع انتهاء صلاحية وقت التخزين، اكتب تاريخ التجميد ووقته واسم المنتج على العبوة وفقاً لأوقات تخزين الأطعمة المختلفة.
- استهلك الأطعمة التي قمت بإذابتها بسرعة. لا يمكن تجميد الأطعمة التي تم إذابتها مرة أخرى إلا إذا تم طهيها. ليس من الآمن تناول الأطعمة الطازجة المجمدة دون طهيها بعد إذابتها.
- أثناء تجميد الأطعمة الطازجة، لا تجعلها تلامس مع الأطعمة المجمدة بالفعل. بخلاف ذلك، سيتم إذابة الأطعمة المجمدة.

تخزين الأطعمة المباعة مجمدة

- عند تخزين الطعام، اتبع الفترات الزمنية المحددة في هذه التعليمات.
- من أجل حماية جودة الطعام، حافظ على الفاصل الزمني بين معاملة الشراء والتخزين قصيراً قدر الإمكان.
- اشترى الأطعمة المجمدة التي يتم تخزينها في -18 درجة مئوية أو درجات حرارة منخفضة.
- تجنب شراء الأطعمة التي تكون عبواتها مغطاة بالثلج وما إلى ذلك. وهذا يعني أنه يمكن إذابة المنتج جزئياً وإعادة تجميده. تؤثر درجة الحرارة على جودة الطعام.
- خزن الطعام حسب الوقت الموصى به من قبل الشركة المصنعة. قم بإزالة الطعام بالقدر الذي تحتاجه فقط من المجمد.
- باستثناء الحالات التي تتوفر فيها ظروف بيئية شديدة، إذا تم ضبط منتجك (في جدول القيم المحددة الموصى بها) على القيم المحددة المحددة، فإن الطعام يحافظ على نضارته لفترة أطول في كل من حجرة المنتج الطازج ومقصورة المجمد.

- إذا تم ضبط حجرة الطعام الطازج على درجة حرارة منخفضة، فقد يتم تجميد الفواكه والخضروات الطازجة جزئياً.
- المقصورات ذات النجمتين مناسبة للأطعمة المجمدة مسبقاً. يمكن تخزين الأيس كريم ومكعبات الثلج.
- لا تُجمد الأطعمة سوى في الحجرة ذات الأربع نجوم.

أطول مدة تخزين (شهر)	الإعداد	اللحم والسّمك		
6-8	التقطيع بسّمك 2 سم ووضع رقائق معدنية بين كل شريحة أو لفها بإحكام بغلاف مرن	شريحة لحم	لحم العجل	منتجات اللحوم
6-8	تعبئة قطع اللحم في كيس تلاجة أو لفها بإحكام بغلاف مرن	المشاوي		
6-8	قطع صغيرة	المكعبات		
6-8	وضع ورق الألمونيوم بين شرائح مقطعة أو لفها بشكل فردي بغلاف مرن	شرائح، قطع	لحم الضأن	
4-8	وضع ورق الألمونيوم بين قطع اللحم أو لفها بشكل فردي بغلاف مرن	قطع		
4-8	تعبئة قطع اللحم في كيس تلاجة أو لفها بإحكام بغلاف مرن	المشاوي		
4-8	تعبئة قطع اللحم الصغيرة في كيس تلاجة أو لفها بإحكام بغلاف مرن	المكعبات	لحم بقر	
8-12	تعبئة قطع اللحم في كيس تلاجة أو لفها بإحكام بغلاف مرن	المشاوي		
8-12	التقطيع بسّمك 2 سم ووضع رقائق معدنية بين كل شريحة أو لفها بإحكام بغلاف مرن	شريحة لحم		
8-12	قطع صغيرة	المكعبات	لحم المفروم	
8-12	التعبئة بقطع صغيرة في كيس تلاجة	اللحم المسلوّق		
1-3	بدون توابل، في أكياس مسطحة	أحشاء (قطع)		
1-3	قطع	سجق مخمر - سلامي	لحم الخنزير	
1-3	يجب تعبئته حتى وإن كان مغلقاً.	الداج والديك الرومي		
2-3	وضع ورق الألمونيوم بين الشرائح المقطعة	الإوز		
4-6	يتم لفه في ورق المونوم	البط	الدواجن وحيوانات الصيد	
4-6	يتم لفه في ورق المونوم (ينبغي ألا يزيد وزن الحصص عن 2.5 كجم)			
4-6	يتم لفه في ورق المونوم (ينبغي ألا يزيد وزن الحصص عن 2.5 كجم)			
6-8	يتم لفه في ورق المونوم (ينبغي ألا يزيد وزن الحصص عن 2.5 كجم، مع ضرورة فصل العظام)	أبل، أرنب، يحمور أوروبي	الأسماك والمأكولات البحرية	
2	يجب بعد التنظيف الشامل من الداخل وإزالة القشور غسل الأسماك وتجفيفها وقطع الذيل وأجزاء الرأس عند الضرورة.	أسماك المياه العذبة (التراوت، الكارب، الكركي، القرموط)		
4-6		الأسماك قليلة الدهون (القاروص، الطربوت، موسى)		
2-4		الأسماك الدهنية (بونيتو، ماركيل، بلوفيش، بوري أحمر، أنشوجة)		
4-6	تنظف وتُوضع في أكياس	البكلوبز	الكافيار	
2-3	يُوضع بعبوته، في وعاء من الألومنيوم أو البلاستيك			

"تعتمد مدة التخزين المحددة في الجدول على درجة حرارة التخزين البالغة -18 درجة مئوية."

أطول مدة تخزين (شهر)	الإعداد	الفاكهة والخضروات
10-13	غليان مفاجئ لمدة 3 دقائق بعد الغسيل والتقطيع إلى قطع صغيرة	اللوبيا والفول القطبي
10-12	غليان مفاجئ لمدة دقيقتين بعد إزالة القشور والغسل	البازلزا الخضراء
6-8	غليان مفاجئ لمدة 1-2 دقيقة بعد التنظيف	ملفوف
12	غليان مفاجئ لمدة 3-4 دقائق بعد الغسيل والتقطيع إلى شرائح	الجزر
8-10	غليان لمدة 2-3 دقائق بعد تقطيع الساق، وتقسيم الثمرة إلى قسمين وفصل البذور	الفلفل
6-9	غليان مفاجئ لمدة دقيقتين بعد الغسل والتنظيف	السيباخ
6-8	غليان مفاجئ لمدة 5 دقائق بعد التقطيع	الكراث
10-12	غليان مفاجئ في القليل من ماء الليمون لمدة 3-5 دقائق بعد فصل الأوراق، وتقطيع اللب إلى قطع	قرنبيط
10-12	غليان مفاجئ لمدة 4 دقائق بعد الغسيل والتقطيع إلى قطع 2 سم	بادنجان
8-10	الغليان المفاجئ لمدة 2-3 دقائق بعد الغسيل والتقطيع إلى قطع 2 سم	سيباخ
2-3	القلي قليلاً في الزيت وعصر الليمون عليه	الفطر
12	التنظيف والتعبئة سواءً بالقواقع أو حبوب	ذرة
8-10	الغليان المفاجئ لمدة 2-3 دقائق بعد التقشير والتقطيع إلى شرائح	التفاح والكمثرى
4-6	يُقسم إلى نصفين ويستخرج البذور	المشمش والخوخ
8-12	عن طريق الغسل وإزالة القشور	الفاولة والتوت
12	بإضافة 10٪ سكر في الوعاء	فواكه مخبوزة
8-12	الغسل وإزالة قشور السيقان	البرقوق والكرز والكرز الحامض

"تعتمد مدة التخزين المحددة في الجدول على درجة حرارة التخزين البالغة -18 درجة مئوية."

شروط التخزين	أطول مدة تخزين (شهر)	الإعداد	منتجات الألبان
يمكن تركها في عبوتها الأصلية للتخزين على المدى القصير. للتخزين طويل الأجل، يجب أيضاً تغليفها بورق المنيوم أو بلاستيك.	6-8	تُقطع في شكل شرائح يتم فصلها من خلال وضع أوراق الألمونيوم بينهما	الجبن (معدا جينة الفيتا)
في عبوتها أو الأوعية البلاستيكية	6	في عبوتها	الزبدة والسمن

"تعتمد مدة التخزين المحددة في الجدول على درجة حرارة التخزين البالغة -18 درجة مئوية." "كمية الطعام الطازج التي يمكن تجميدها لفترة زمنية معينة محددة على ملصق النوع."

الملاحظات	حجرة المبرد الإعدادات	مقصورة المجمد الإعدادات
يوصى بهذه الإعدادات للاستخدام العام.	4°C	22-
استخدمه عندما تود تجميد طعامك خلال زمن قصير. عندما تنتهي العملية، ستعود إعدادات المنتج إلى الوضع السابق.	4°C	التجميد السريع
استخدم هذه الإعدادات إذا كنت تعتقد أن حجرة المبرد ليست باردة بما يكفي بسبب درجة حرارة المحيط أو فتح الباب بشكل متكرر.	2°C	-18 مئوية أو أقل

التجميد السريع

درجة الخضروات: الخضروات والفواكه
مقصورة الأطعمة الطازجة: الأطعمة اليومية (طعام الإفطار، اللحوم التي تستهلك خلال فترة قصيرة)

1. نشط وظيفة التجميد السريع قبل 24 ساعة من وضع أطعمتك الطازجة.
2. بعد 24 ساعة من الضغط على الزر، ضع طعامك الذي تريد تجميده على الرف الثاني بسعة تجميد أعلى.
3. بمجرد تنشيط وظيفة التجميد السريع، تُغلق تلقائيًا بعد فترة زمنية محددة.

٢-٨ استبدال مصباح الإضاءة

اتصل بالخدمة المعتمدة عند الرغبة في استبدال المصباح / LED المستخدم للإضاءة في ثلاجتك. لا يمكن استخدام المصباح (المصابيح) المستخدمة في هذا الجهاز لإضاءة المنزل. الغرض من استخدام هذا المصباح هو مساعدة المستخدم على وضع الطعام في الثلاجة / المجمد بأمان وراحة.

٣-٨ تحذير فتح الباب

قد يختلف نظام تحذير فتح الباب في ثلاجتك تبعًا للطراز.

النسخة 1:

إذا ظل باب المنتج مفتوحًا لفترة معينة (بين 60 ثانية و 120 ثانية)، تصدر إشارة تحذير صوتية، اعتمادًا على طراز المنتج، يمكن أيضًا عرض إشارة تحذير مرئية (وميض ضوئي). إذا أغلقت باب الجهاز أو ضغطت على أي زر على شاشة الجهاز، إن وجدت، فسيوقف صوت التحذير.

النسخة 2:

يتم إصدار تحذير فتح الباب، إذا ظل باب الجهاز مفتوحًا لفترة زمنية معينة (بين 60 ثانية و 120 ثانية). يُطلق تحذير فتح الباب تدريجيًا. أولاً، يبدأ صوت تحذير مسموع. بعد 4 دقائق، إذا كان الباب لا يزال مفتوحًا، يتم تنشيط تحذير مرئي (وميض ضوئي). سيتأخر تحذير فتح الباب لفترة زمنية معينة (بين 60 ثانية و 120 ثانية) عند الضغط على أي مفتاح على شاشة المنتج، إن وجدت. ثم ستبدأ العملية مرة أخرى. سيتم إيقاف تحذير فتح الباب بمجرد إغلاق باب الجهاز.

٤-٨ عكس جانب فتح الباب

يمكن عكس جانب فتح باب الثلاجة وفقًا للمكان الذي تضعه فيه. عندما تحتاج إلى هذا، يجب عليك بالتأكيد الاتصال بأقرب خدمة معتمدة.

تفاصيل المجمد

وفقًا لمعايير IEC 62552، يجب أن يتمتع المجمد بالقدرة على تجميد 4.5 كجم من المواد الغذائية عند 18- درجة مئوية أو درجات حرارة منخفضة عند درجة حرارة الغرفة 25 درجة مئوية خلال 24 ساعة لكل 100 لتر من حجم حجرة التجميد. يمكن الاحتفاظ بالأطعمة لفترات طويلة عند درجة حرارة 18- أو أقل. يمكنك المحافظة على نضارة الأطعمة لعدة أشهر (في المجمد أو تحت درجة - 18 مئوية). يجب أن لا تتلامس الأطعمة المراد تجميدها مع الأطعمة المجمدة سلفًا في الداخل لتجنب الذوبان الجزئي.

اسلق الخضار ونقي الماء لإطالة زمن تخزين المجمدات. ضع الطعام في أغلفة مانعة للهواء بعد التنقية وخنزها في المجمد. يجب عدم تجميد الموز، الطماطم، الخس، الكرفس، البيض المسلوق، البطاطا والأطعمة المماثلة. في حالة تجميد هذه الأطعمة، ستتأثر القيم الغذائية ونوعية الأكل سلبيًا فقط. والتعفن الذي من شأنه أن يهدد صحة الإنسان ليس موضع تساؤل.

وضع الطعام

أرف مقصورة المجمد: الأصناف المجمدة المختلفة
بما يشمل اللحم، السمك، الأيس كريم، الخضار، الخ.
أرف مقصورة المبرد: أصناف الطعام داخل القدر، الأطباق المغطاة والعلب المغطاة، البيض (في علبة مغطاة)

أرف باب مقصورة المبرد: الأطعمة والمشروبات الصغيرة والمعبأة

١-٩ تقنيات درج الخضروات

الضوء الأزرق

فإن الفاكهة والخضروات التي يتم تخزينها في الأقسام المخصصة لها في الثلاجة، وهي الأقسام المضاءة بالضوء الأزرق، تستمر في عملية التمثيل الضوئي بفضل تأثير طول موجة الضوء الأزرق، ومن ثم فإنها تحتفظ بالفيتامينات التي تحتوي عليها.

HarvestFresh

فإن الفاكهة والخضروات التي يتم تخزينها في الأقسام المخصصة لها في الثلاجة، والتي تتم إضاءتها بتقنية HarvestFresh، تحتفظ بفيتاميناتها لمدة أطول بفضل دورات الضوء الزرقاء والخضراء والحمراء والظلام، التي تحاكي دورة اليوم الكامل. عندما يتم فتح باب ثلاجتك خلال الفترة المظلمة لتقنية الحصاد الطازج HarvestFresh، ستشعر الثلاجة بذلك تلقائياً وتضيء درج الثلاجة بأحد الضوء الزرقاء أو الخضراء أو الحمراء على التوالي لضمان راحتك. بعد أن تغلق باب الثلاجة، سوف تستمر فترة الظلام، لتكون بمثابة الفترة الليلية من دورة اليوم.

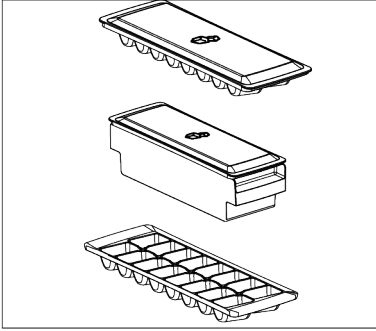
٢-٩ منطقة تخزين الثلج

حاوية الثلج

تسمح لك علبة الثلج بأخذ الثلج من الثلاجة بسهولة.

استخدام علبة الثلج

1. أخرج علبة الثلج من مقصورة المجمد.
2. املاً العلبة بالماء.
3. ضع علبة الثلج في حجرة المجمد. سيكون الثلج جاهزاً بعد ساعتين تقريباً.
4. أخرج علبة الثلج من حجرة المجمد وقم بإمالتها قليلاً فوق الحامل الذي ستستخدمه للتقديم. سيسكب الثلج بسهولة في حامل التقديم.



٣-٩ حامل البيض

يمكنك وضع حامل البيض على الباب أو رف الجسم الذي تريده.
في حالة وضع حامل البيض على رف الهيكل، نوصيك باختيار أرفف سفلية أكثر برودة.
• لا تضع حامل البيض في حجرة الفريزر أبداً.

٤-٩ رف الخضروات

تم تصميم درج خضار الثلاجة للحفاظ على الخضار طازجة من خلال المحافظة على الرطوبة. لهذه الغاية، يتم تكييف التوزيع الكلي للماء البارد في درج الخضار. احتفظ بالفواكه والخضار في هذه الحجرة. احتفظ بالخضروات ذات الأوراق الخضراء والفواكه بشكل منفصل لإطالة عمرها.

٥-٩ إدارة الطاقة

ثلاجتك مجهزة بميزة إدارة استهلاك الطاقة. لتشغيل هذه الميزة، يجب إضافة منتجك إلى تطبيق HomeWhiz وتوصيله بالإنترنت. يمكنك متابعة معلومات الاستهلاك لمنتجك عن طريق استخدام لوحة إدارة الطاقة في تطبيق Homewhiz.

يمكنك مراقبة معلومات استهلاك ثلاجتك الذكية وفقاً لفترات زمنية مختلفة* ويمكنك توفير المال من خلال الاقتراحات المقدمة بخصوص كيفية تقليل استهلاكك.



٧-٩ منطقة التخزين البارد لمنتجات الألبان

درج التخزين البارد

يمكن أن يصل درج التخزين البارد إلى درجات حرارة منخفضة في حجرة المبرد. استخدم هذا الدرج للمنتجات الرهيفة (السلامي، السجق، إلخ) ومنتجات الألبان التي تتطلب ظروف تخزين أكثر برودة، أو لاستهلاك اللحوم أو الدجاج أو الأسماك بسرعة. ليس من المناسب تخزين الفواكه والخضروات في هذا الدرج.

٨-٩ AeroFlow

هو نظام توزيع الهواء الذي يوفر توزيعاً متجانساً لدرجة الحرارة. فمع دوران الهواء، يتم ضمان التوزيع المتجانس لدرجة الحرارة في حجرة تخزين الطعام الطازج، ويتم الحفاظ على تقلبات درجات الحرارة عند مستويات منخفضة. ولا يحدث هبوب مباشر للهواء فوق الطعام مما يساعد على تقليل فقد الرطوبة. ويحافظ على نضارة الطعام المخزن في حجرة الطعام الطازج بالثلاجة. بهذه الطريقة، يتم تخزين طعامك في درجات حرارة أكثر استقراراً وتقليل التلامس مع الهواء. يُمنع تجفيف الأطعمة وانكماشها بفقدان الرطوبة وتوفير نضارة لفترة أطول.

قيم الاستهلاك الموضحة على ملصق المنتج تم التوصل إليها في ظروف المختبر القياسية. قيم الاستهلاك المعروضة في تطبيق HomeWhiz للأغراض الإعلامية وقد تختلف عن قيم الاستهلاك الفعلية وفقاً لظروف التشغيل والظروف المناخية لدى العميل.

٦-٩ تقنية الذكاء الاصطناعي (AI)

خاصية CoolAdapt



خاصية CoolAdapt مَثَبَة بتلاجتك. لتشغيل هذه الخاصية، يجب عليك إضافة منتجك إلى تطبيق HomeWhiz وتوصيله بالإنترنت. يمكنك تشغيل تقنية CoolAdapt أو إيقاف تشغيلها من صفحة الوظائف المساعدة الخاصة بمنتجك في تطبيق HomeWhiz. بفضل تقنية التلاجة التلقائية، يتكيف منتجك مع عادات الاستخدام لديك، مما يعمل على تحسين كفاءة استهلاك الطاقة وتوفير ما يصل إلى 20%*. تم التوصل إلى قيم التوفير المحددة في ظل ظروف المختبر القياسية. كعميل، قد تختلف قيم التوفير لديك حسب ظروف التشغيل والمناخ الفريدة لديك.

١٠ الصيانة والتنظيف

- احرص على إبعاد الماء عن غطاء المصباح والأجزاء الكهربائية الأخرى.
- نظف الباب بقطعة قماش رطبة. قم بإزالة جميع المحتويات لإزالة الباب ورفوف الهيكل. قم بإزالة رفوف الباب برفعها لأعلى. نظف الرفوف وجففها، ثم ركبها في مكانها ثانية بتمريرها من الأعلى.
- لا تستخدم الماء المحتوي على الكلور أو منتجات التنظيف على السطح الخارجي والأجزاء المطلوبة بالكروم من الجهاز. يسبب الكلور الصدأ على هذه الأسطح المعدنية.
- لا تستخدم الأدوات الحادة والكاشطة والصابون ومواد تنظيف المنزل والمنظفات والغاز والبنزين والورنيش والمواد المماثلة لمنع تشوه الجزء البلاستيكي وإزالة المطبوعات الموجودة عليه. استخدم الماء الدافئ وقماسة ناعمة للتنظيف ثم جفف الجهاز.

- اقرأ "تعليمات الأمان" أولاً!
- قبل تنظيف منتجك، افصلها عن الكهرباء أو قم بإلغاء تنشيط المصهر المتصل بها.
- لا تضع يديك أو قدميك أو أي أشياء معدنية تحت التلاجة أو بين التلاجة والأرضية لأي سبب كان. فقد يحدث سحق ليديك أو قد تسبب أي حافة حادة في حدوث إصابات شخصية.
- لا تستخدم أدوات حادة أو كاشطة لتنظيف المنتج. لا تستخدم مواد مثل مواد التنظيف المنزلية والصابون والمنظفات والغاز والبنزين والكحول والشمع وما إلى ذلك.
- يجب إزالة الغبار من شبكة التهوية الموجودة في الجزء الخلفي من المنتج مرة واحدة في السنة على الأقل (بدون فتح الغطاء). نظف المنتج بقطعة قماش جافة

- بالنسبة للمنتجات التي لا تحتوي على ميزة تبريد مضاد للصقيع No-Frost ، قد تظهر قطرات الماء وتلج بسمك الإصبع على الجدار الخلفي لمقصورة المبرد ، لا تنظف ، ولا تستخدم الزيوت أو المواد الشابهة.
- استخدم فقط قطعة قماش من الألياف الدقيقة مبللة قليلاً لتنظيف السطح الخارجي للمنتج. قد تسبب الإسفنج وأنواع تنظيف الملابس الأخرى خدوشاً.
- لتنظيف جميع المكونات القابلة للإزالة أثناء تنظيف السطح الداخلي للمنتج ، اغسل هذه المكونات بمحلول معتدل يتكون من الصابون والماء والكربونات. اشطفه وجففه كلياً. امنع ملامسة الماء لمكونات الإضاءة ولوحة التحكم.
- لا تستخدم الخل أو الكحول المحمر أو مواد التنظيف الأخرى التي تحتوي على الكحول على أي سطح داخلي.
- الأسطح الخارجية من الفولاذ المقاوم للصدأ استخدم مادة تنظيف غير كاشطة مصنوعة من الفولاذ المقاوم للصدأ وقم بتطبيقها بقطعة قماش ناعمة وخالية من النسالة. للتلميع، امسح السطح برفق بقطعة قماش من الألياف الدقيقة مبللة بالماء واستخدم قطعة قماش شمواه جافة للتلميع. اتبع دائماً اتجاه عروق الفولاذ المقاوم للصدأ.
- تنظيف المنتجات ذات الأبواب الزجاجية قم بإزالة الرقاقة الواقية عن الزجاج. يوجد غلاف على سطح الزجاج. يقلل هذا الطلاء من تكون البقع ويوفر تنظيفاً سهلاً للبقع والأوساخ التي تكونت. يمكن للزجاج الذي لا يحتوي على طبقة واقية أن يترابط بسرعة وسهولة بشكل دائم عن طريق الهواء العضوي أو غير العضوي والملوثات التي تحملها المياه مثل الحجر الجيري والأملاح المعدنية والهيدروكربونات غير المحترقة وأكاسيد المعادن والسيليكون التي تسبب تلميحاً وضرراً مادياً. على الرغم من التنظيف المنتظم، يصبح الحفاظ على

11 استكشاف الأخطاء وإصلاحها

- اقرأ "تعليمات الأمان" أولاً!
- تحقق من هذه القائمة قبل الاتصال بمركز الصيانة. من شأن ذلك توفير الوقت والمال. تتضمن هذه القائمة الشكاوى غير المرتبطة بعيوب الصناعة أو المواد. وقد لا تنطبق سمات معينة مذكورة هنا على جهازك.
- إن استمرت المشكلة بعد اتباع تعليمات هذا القسم، اتصل بالبائع أو بمركز خدمة معتمد. لا تحاول إصلاح الجهاز.
- الثلاجة لا تعمل.
- قابس الطاقة غير مستقر كلياً. <<< ادفعه بحيث يستقر في المقبس كلياً.

- الصمام الموصول بالمقيس الذي يزود الجهاز بالطاقة أو الصمام الرئيسي تالف. <<< افحص الصمام.
- هناك تكاتف على جانب جدار حجرة المبرد (المنطقة المتعددة، منطقة التبريد، التحكم والمنطقة المرنة).
- يتم فتح الباب بشكل متكرر. <<< احرص على عدم فتح باب المنتج كثيراً.
- المكان رطب جدا. <<< لا تضع الجهاز في أماكن رطبة.
- الأطعمة المحتوية على سوائل تحفظ في مستوعبات غير محكمة الإغلاق. <<< احتفظ بالأطعمة المحتوية على سوائل في مستوعبات محكمة الإغلاق.
- ترك الباب مفتوحاً. <<< لا تدع أبواب التلاجة مفتوحة لفترات طويلة.
- تم ضبط منظم الحرارة على درجة حرارة باردة جدا. <<< اضبط الثرموستات على درجة حرارة مناسبة.
- الضاغط لا يعمل.
- في حال حدوث انقطاع مفاجئ في التيار الكهربائي أو سحب قابس الطاقة وإعادته مرة أخرى، يصبح ضغط الغاز في نظام تبريد الجهاز غير متوازن، مما يفعل الواقي الحراري للضاغط. يعمل المنتج من جديد بعد 6 دقائق تقريباً. إذا لم يعمل الجهاز بعد هذه الفترة، اتصل بمركز الصيانة.
- إزالة الجليد غير نشطة. <<< هذا أمر طبيعي في جهاز مقاوم للصقيع تلقائياً. تتم إزالة الجليد دورياً.
- الجهاز غير موصول بالكهرباء. <<< تأكد أن سلك الطاقة موصول بالكهرباء.
- إعداد درجة الحرارة غير صحيح. <<< اختر إعداداً صحيحاً لدرجة الحرارة.
- لا يوجد تيار كهربائي. <<< يستمر الجهاز بالعمل بشكل طبيعي حال عودة الطاقة.
- يزداد ضجيج تشغيل التلاجة أثناء الاستعمال.
- وقد يتباين أداء عمل الجهاز بناء على تغيرات درجة حرارة المكان. هذا أمر طبيعي ولا يعتبر عطلاً.
- تعمل التلاجة لفترة زمنية طويلة.
- ربما يكون المنتج الجديد أكبر من المنتج السابق. تعمل الأجهزة الأكبر فترات زمنية أطول.
- ربما تكون درجة حرارة الغرفة عالية. <<< يعمل الجهاز فترات طويلة في درجات الحرارة العالية.
- ربما تم توصيل الجهاز بالكهرباء مؤخراً أو تم وضع صنف طعام جديد داخله. <<< يستغرق الجهاز فترة أطول لبلوغ درجة الحرارة المعينة عند توصيله بالكهرباء حديثاً أو عند وضع صنف طعام جديد داخله. هذا أمر طبيعي.
- ربما تم وضع كميات كبيرة من الطعام الساخن في الجهاز مؤخراً. <<< لا تضع الطعام الساخن داخل الجهاز.
- تم فتح الأبواب كثيراً أو تركت مفتوحة لفترات طويلة. <<< يتسبب الهواء الساخن المتحرك في الداخل في عمل الجهاز فترة أطول. لا تفتح الأبواب كثيراً.
- ربما يكون باب المجمد أو المبرد مورباً. <<< تأكد أن الأبواب مغلقة كلياً.
- ربما يكون الجهاز مضبوط على درجة حرارة متدنية جداً. <<< اضبط درجة الحرارة على أعلى وانتظر حتى يصل الجهاز إلى درجة الحرارة المرغوبة.
- ربما تكون فلحة باب المبرد أو المجمد متسخة، أو مهترئة أو مكسورة أو غير مستقرة. <<< نظف أو استبدل مانع التسرب. تتسبب فلحة الباب التالفة/ المهترئة في عمل الجهاز لفترات طويلة للحفاظ على درجة الحرارة الحالية.
- درجة حرارة المجمد منخفضة جداً، لكن درجة حرارة المبرد ملائمة.
- تم ضبط درجة حرارة مقصورة المجمد على درجة متدنية جداً. <<< اضبط درجة حرارة مقصورة المجمد على درجة أعلى وافحص مرة أخرى.
- درجة حرارة المبرد منخفضة جداً، لكن درجة حرارة المجمد ملائمة.
- تم ضبط درجة حرارة حجرة المبرد على درجة متدنية جداً. <<< اضبط درجة حرارة حجرة المبرد على درجة أعلى وافحص مرة أخرى.
- الأطعمة المحفوظة في جوارير حجرة المبرد متجمدة.
- تم ضبط درجة حرارة حجرة المبرد على درجة متدنية جداً. <<< اضبط درجة حرارة حجرة المبرد على درجة أعلى وافحص مرة أخرى.
- درجة الحرارة في المبرد أو المجمد عالية جداً.
- تم ضبط درجة حرارة حجرة المبرد على درجة عالية جداً. <<< يؤثر إعداد درجة حرارة حجرة المبرد على درجة حرارة مقصورة المجمد. انتظر

رائحة الجزء الداخلي سيئة.

- لا يتم تنظيف الجهاز بانتظام. <<< نظف الجزء الداخلي بانتظام مستخدماً إسفنجة وماء دافئ وماء مكرين.
- قد تسبب بعض المستوعبات ومواد التغليف بالروائح. <<< استخدم المستوعبات ومواد التغليف الخالية من الروائح.
- تم وضع الطعام في مستوعبات غير محكمة الإغلاق. <<< احتفظ بالأطعمة في مستوعبات محكمة الإغلاق. قد تنتشر الميكروبات من الأطعمة غير المغلقة مسببة الروائح الكريهة.
- تخلص من أية أطعمة فاسدة أو منتهية الصلاحية داخل الجهاز..

النياب لا يثقل.

- تسد أغلفة الطعام الباب أحياناً. <<< غير مكان الأطعمة التي تسد الأبواب.
- لا يقف الجهاز بوضع رأسي كامل على الأرض. <<< اضبط القواعد لموازنة الجهاز.
- السطح ليس مسطحاً أو متيناً <<< تأكد من أن السطح مسطح ومتين بدرجة كافية لتحمل المنتج. درج الخضروات محشور.
- ربما تلامس الأطعمة الجزء العلوي من الجارور. <<< أعد ترتيب الأطعمة في الجارور. درجة الحرارة على سطح المنتج.
- يمكن ملاحظة ارتفاع درجة الحرارة بين البابين ، على الألواح الجانبية وعلى منطقة الشبكة الخلفية أثناء تشغيل المنتج. هذا أمر طبيعي ولا يتطلب صيانة.

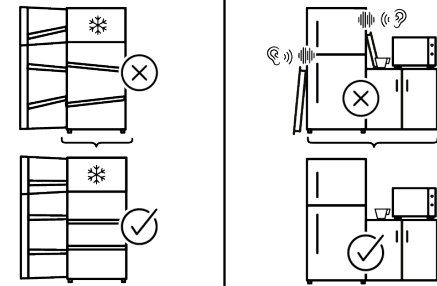
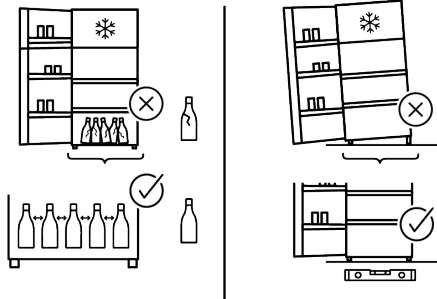
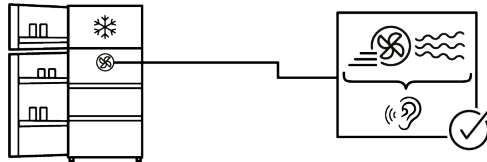
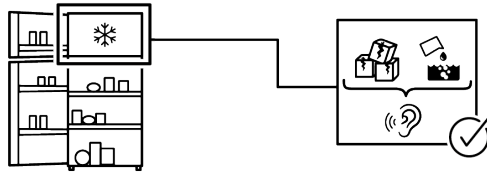
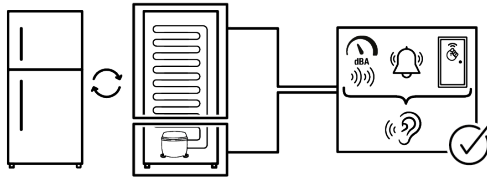
تستمر المروحة في العمل عند فتح الباب.

- قد تستمر المروحة في العمل عندما يكون باب المجمد مفتوحاً.
- إن استمرت المشكلة بعد اتباع تعليمات هذا القسم، اتصل بالبائع أو بمركز خدمة معتمد. لا تحاول إصلاح الجهاز. هذا أمر طبيعي.

- حتى تصل الأجزاء ذات الصلة إلى مستوى درجة الحرارة المرغوبة عبر تغيير درجة حرارة مقصورة المجمد أو المبرد.
- تم فتح الأبواب كثيراً أو تركت مفتوحة لفترات طويلة. <<< لا تفتح الأبواب كثيراً.
- ربما يكون الباب موارباً. <<< أغلق الباب كلياً.
- ربما تم توصيل الجهاز بالكهرباء مؤخراً أو تم وضع صنف طعام جديد داخله. <<< هذا أمر طبيعي.
- يستغرق الجهاز فترة أطول لبلوغ درجة الحرارة المعينة عند توصيله بالكهرباء حديثاً أو عند وضع صنف طعام جديد داخله.
- ربما تم وضع كميات كبيرة من الطعام الساخن في الجهاز مؤخراً. <<< لا تضع الطعام الساخن داخل الجهاز.

الاهتزاز أو الضجيج.

- السطح ليس مسطحاً أو متيناً <<< إذا كان المنتج يهتز عند تحريكه ببساط، فاضبط الحامل لموازنة المنتج. تأكد أن الأرض متينة لدرجة تحمل الجهاز.
- قد تحدث أية مواد موضوعة على الجهاز ضجيجاً. <<< قم بإزالة أية مواد وضعت على الجهاز.
- يصدر الجهاز ضجيجاً يشبه تدفق السوائل، أو الرش، الخ.
- يتخلل مبادئ تشغيل الجهاز تدفق السائل والغاز. <<< هذا أمر طبيعي ولا يعتبر عطلاً.
- هناك صوت كهبوب الرياح يأتي من الجهاز.
- يستخدم الجهاز مروحة في عملية التبريد. هذا أمر طبيعي ولا يعتبر عطلاً.
- هناك تكاثف على الجدران الداخلية للجهاز.
- يزيد الطقس الحار أو الرطب من تشكل الصقيع والتكاثف. هذا أمر طبيعي ولا يعتبر عطلاً.
- تم فتح الأبواب كثيراً أو تركت مفتوحة لفترات طويلة. <<< لا تفتح الأبواب كثيراً؛ إذا كانت مفتوحة، أغلقها.
- ربما يكون الباب موارباً. <<< أغلق الباب كلياً.
- هناك تكاثف على السطح الخارجي للجهاز أو بين الأبواب.
- ربما يكون جو المكان رطباً، وهذا أمر طبيعي في الجو الرطب. <<< سيتبدد التكاثف عندما تقل الرطوبة.





Considerations Regarding Errors of Use and Warranty

Рассмотрение ошибок использования и гарантии

والضمان

- يمكن تصحيح العيوب التالية مقابل رسوم. لا تنطبق شروط الضمان على أي من هذه الحالات:
1. الأضرار والأعطال الناجمة عن أخطاء في الاستخدام،
 2. الأضرار والأعطال أثناء التحميل والتفريغ والنقل وما إلى ذلك بعد تسليم البضاعة إلى المستهلك،
 3. الأضرار والأعطال الناتجة عن الكهرباء (المقبس، الجهد الكهربائي، التأريض، إلخ)، والمياه (ضغط المياه، الصنوبر، إلخ)، والغاز الطبيعي، والهاتف، والإنترنت، إلخ، والشبكة و/أو البنية التحتية (الصرف، الأرضية، البيئة، إلخ) في الموقع الذي يتم فيه استخدام البضائع،
 4. الأضرار والأعطال الناجمة عن القضاء والقدر والحرائق والفيضانات وغيرها،
 5. الأضرار والأعطال الناشئة عن استخدام البضائع بما يتعارض مع الموضوعات الواردة في الوصف وأدلة المستخدم،
 6. الأضرار والأعطال الناشئة عن استخدام البضائع لأغراض تجارية أو مهنية على النحو المحدد في القانون رقم 6502 بشأن حماية المستهلكين،
 7. ينتهي الضمان الممنوح للبضائع في حالة الصيانة أو الإصلاح أو أي تدخل آخر للبضائع من قبل أشخاص غير مصرح لهم.

تقتصر فترة ضمان البضائع المستبدلة أثناء تطبيق الضمان على فترة الضمان المتبقية للبضائع المشتراة.

صُنِعَ بواسطة Arçelik A.Ş.
المصدر: تركيا

