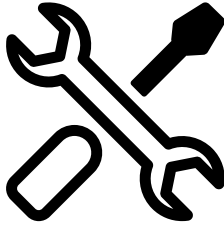
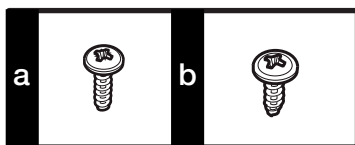
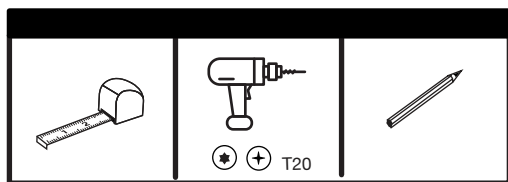
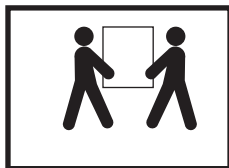
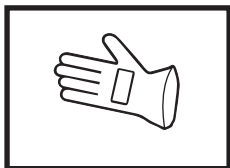
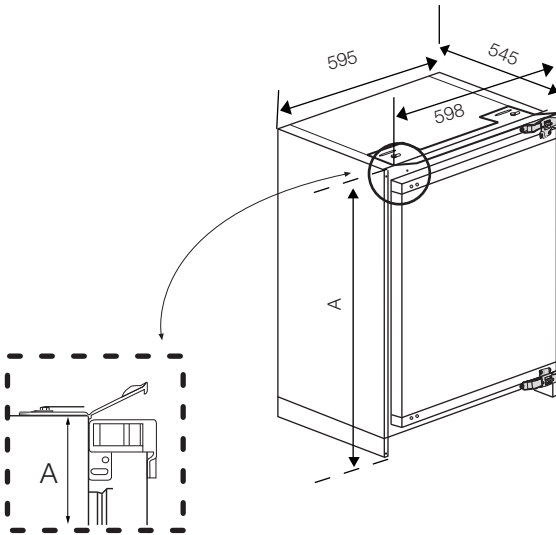


# Montaj Talimatları

## Installation instructions



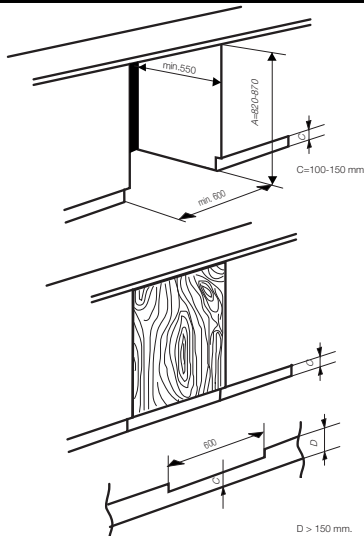


**1**

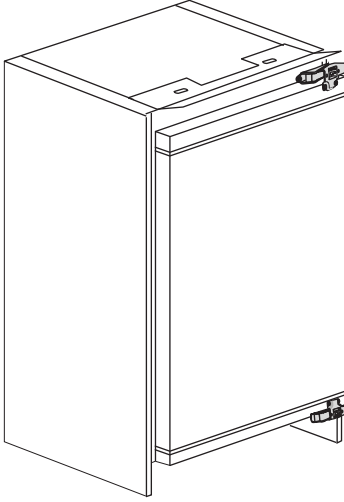
A (mm)	820 - 870 mm
C (mm)	100 - 150 mm

**Note:**

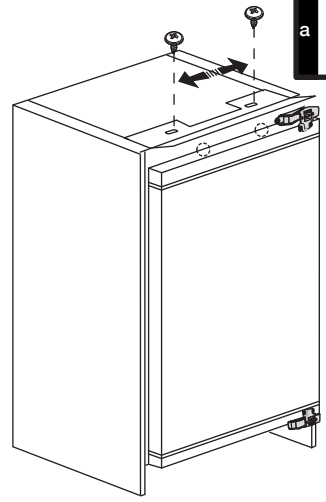
- 1) Height of the product can be adjusted by the help of adjustable feet (front and back) to fit the furniture niche height (A).
- 2) Do not operate this appliance until it has been installed in the furniture.

**2**

3



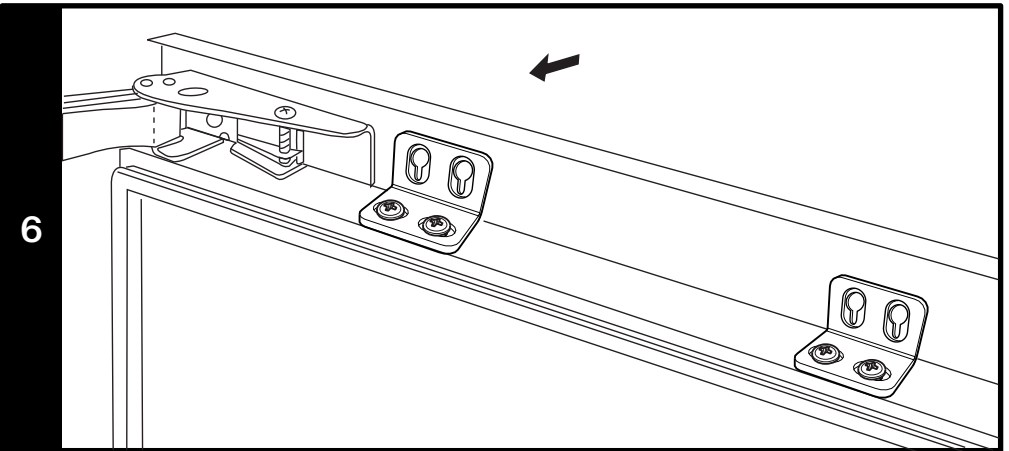
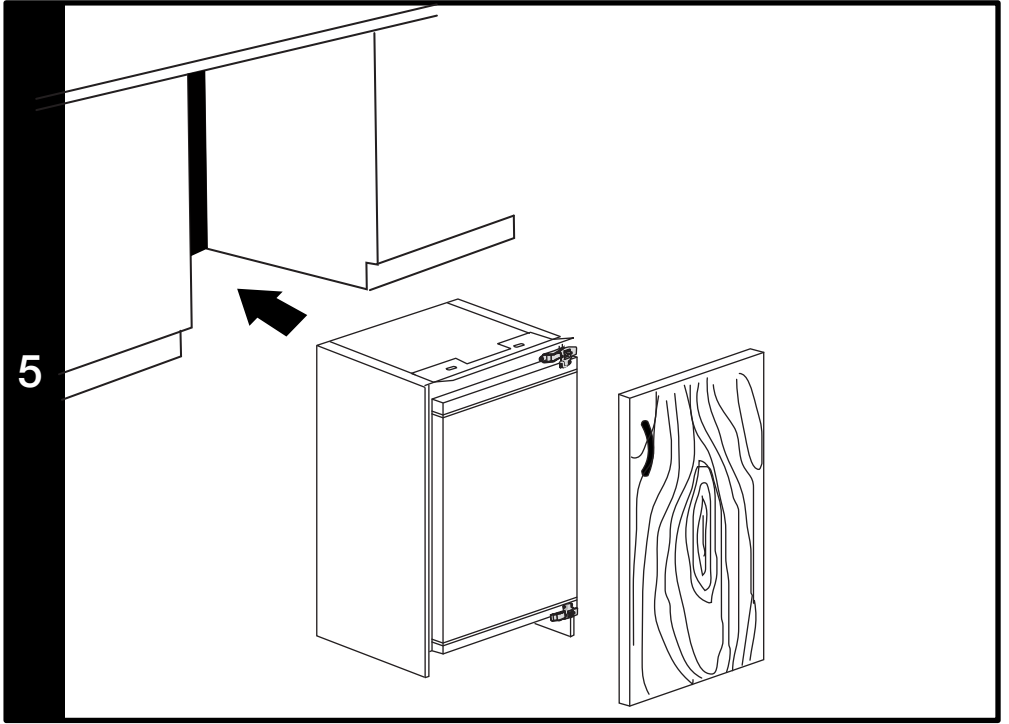
4

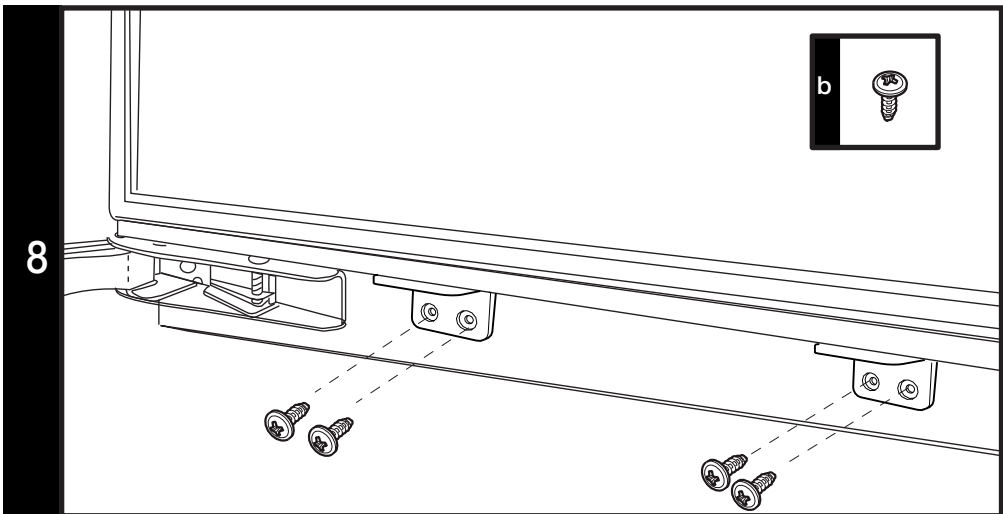
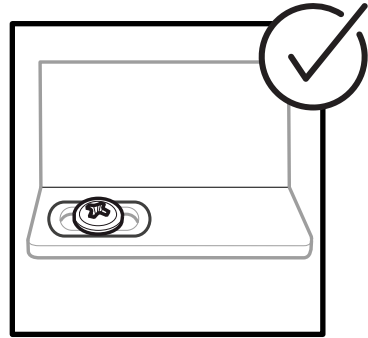
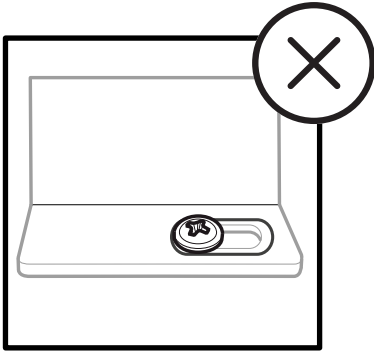
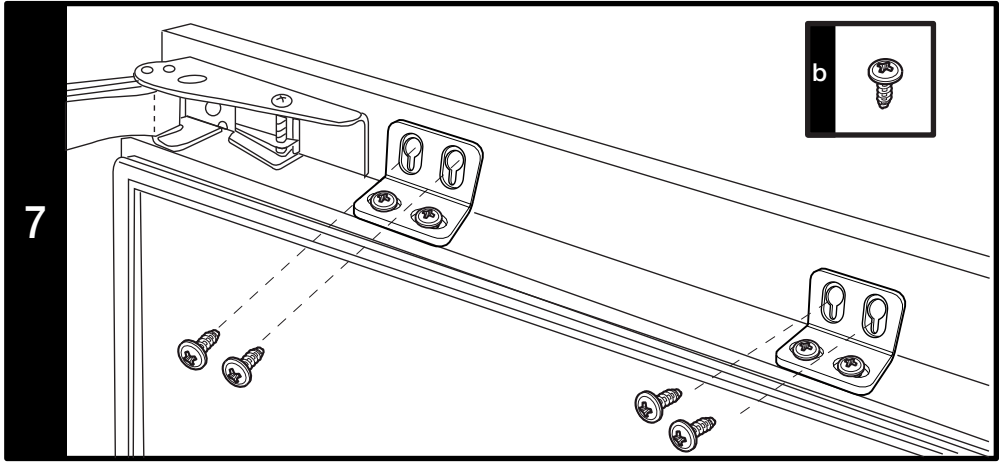


**Not:** 4 numara ile gösterilen montaj adımında üst bağlantı plastiğini kaydırabilmek için bağlantının yapıldığı vidaları tam sıkmayınız.

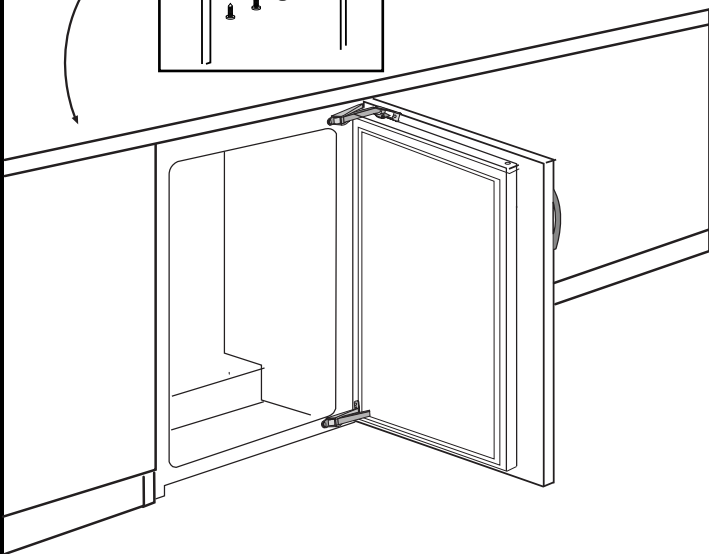
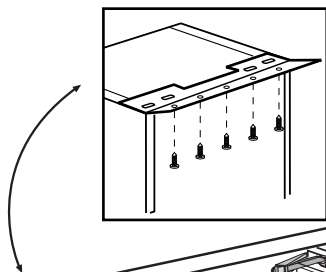
**Note:** Installation step for 4, screws for connecting top plastic rpart should not be screwed very hard, because of moving the plastic part easily left or right side.

**Hinweis:** Installationsschritt 4: Die Schrauben zum Fixieren des Kunststoffteils sollten nicht zu fest angezogen werden, da sich das Kunststoffteil ansonsten nach links oder rechts verschieben kann.





9



10

