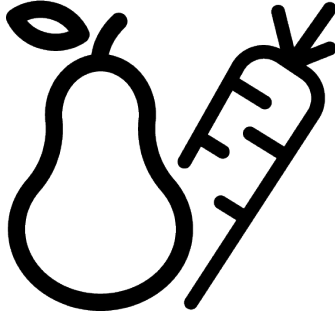




Refrigerator / User Manual

ثلاجة / دليل المستخدم

Холодильник / Руководство по эксплуатации



K78590NE

58 9740 0000/ EN/ AR/ RU/ AA/ 06/06/23 16:16
7291620165

Please read this manual first!

Dear Customer

Please read this manual before using the product.

Thank you for choosing this Arçelik product. We would like you to achieve the optimal efficiency from this high quality product which has been manufactured with state of the art technology. To do this, carefully read this manual and any other documentation provided before using the product and keep it as a reference.

Heed all information and warnings in the user manual. This way, you will protect yourself and your product against the dangers that may occur.

Keep the user manual. Include this manual with the unit if you hand it over to someone else.

The following symbols are used in the user manual:



Hazard that may result in death or injury.



Important information or useful tips on operation.




Read the user manual.



Combustible material, warning against fire hazard.

NOTICE A hazard that may cause material damage to the product or its surroundings

 <p>ÜRETİCİ İSMİ</p> <p>MODEL TANIMI → (*)</p>	<p>The model information as stored in the product data base can be reached by entering following website and searching for the model identifier (*) found on energy label.</p> <p>https://eprel.ec.europa.eu/</p>
---	---

1	Safety Instructions.....	4
1.1	Intention of Use	4
1.2	Safety of Children, Vulnerable Persons and Pets	4
1.3	Electrical Safety.....	5
1.4	Handling Safety	6
1.5	Installation Safety.....	6
1.6	Operational Safety.....	8
1.7	Food Storage Safety.....	10
1.8	Maintenance and Cleaning Safety	11
2	Environmental Instructions.....	12
2.1	Compliance with WEEE regula- tions and Waste Disposal	12
2.2	Packaging Information.....	12
3	Your Refrigerator	12
4	Installation	13
4.1	Electrical Connection	14
5	Preparation.....	14
5.1	What To Do For Energy Saving	14
5.2	First Use	15
5.3	Climate Class and Definitions	15
6	Operating the Product.....	15
7	Control Panel of the Product.....	16
8	Using The Product.....	18
8.1	Storing Food in the Freezer and Cooler Compartment.....	18
8.2	Replacing the Illumination Lamp..	21
8.3	Door Open Alert	21
8.4	Reversing the Door Opening Side.	21
9	Product Features	21
9.1	The ice storage area.....	21
9.2	Crisper	21
9.3	Crisper Technologies	22
9.4	AeroFresh.....	22
9.5	Humidity Controlled Crisper	22
9.6	Mobile Body Shelf	22
10	Maintenance and Cleaning	23
11	Troubleshooting.....	24

1 Safety Instructions

- This section includes the safety instructions necessary to prevent the risk of personal injury or material damage.
- Our company shall not be held responsible for damages that may occur if these instructions are not observed.



Installation and repair operations shall always be performed by authorized service.



Use original spare parts and accessories only.



Do not repair or replace any component of the product unless it is clearly specified in the user manual.



Do not perform any modifications on the product.

1.1 Intention of Use

- This product is not suitable for commercial use and should not be used for a purpose other than its intended use.
- This product is intended for operating interiors, such as households or similar.

For example;

In the staff kitchens of the stores, offices and other working environments,

In farm houses,
In the units of hotels, motels or other resting facilities that are used by the customers,

In hostels, or similar environments,

In catering services and similar non-retail applications.

- This product shall not be used in open or enclosed external environments such as vessels, camper vans, balconies or terraces. Exposing the product to rain, snow, sunlight and wind may cause risk of fire.



1.2 Safety of Children, Vulnerable Persons and Pets

- This product may be used by children aged 8 years and older and persons with under-developed physical, sensory or mental capabilities or lack of experience and knowledge if they are being supervised or have been given instruction concerning use of the appliance in a safe way and the hazards involved.
- Children between 3 and 8 years are allowed to put and take out food into/from the cooler product.

- Electrical products are dangerous for children and pets. Children and pets must not play with, climb on, or enter the product.
- Cleaning and user maintenance should not be performed by children unless there is someone overseeing them.
- Keep the packaging materials away from children. Risk of injury and suffocation.

Before disposing of old products that shall not be used any more:

1. Unplug the power cord from the mains socket.
 2. Cut the power cable and remove it from the appliance together with the plug.
 3. Do not remove the racks and drawers from the product to prevent children from getting inside the appliance.
 4. Remove the doors.
 5. Store the product so that it shall not be tipped over.
 6. Do not allow children to play with the scrapped product.
- Do not dispose of the product by throwing it into fire. Risk of explosion.
 - If there is a lock available on the product's door, keep the key out of children's reach.



1.3 Electrical Safety

- The product shall not be plugged into the outlet during installation, maintenance, cleaning, repair, and transportation operations.

If the power cable is damaged, it shall only be replaced by authorized service to avoid any risks that may occur.

- Do not tuck the power cable under the product or to the rear of the product. Do not put heavy items on the power cable. The power cable should not be bent, crushed, and come into contact with any heat source.
- Do not use an extension cord, multi-plug or adaptor to operate your product.
- Portable multi-plugs or portable power supplies may overheat and cause fire. Thus, do not have a multi-plug, portable power sources behind or in the vicinity of the product.
- Do not plug the product's power cord in a loose or damaged power outlet. These types of connections may overheat and cause fire.
- The plug shall be easily accessible. If this is not possible, a mechanism that meets the electrical legislation and that

disconnects all terminals from the mains (fuse, switch, main switch, etc.) shall be available on the electrical installation.

- Do not touch the plug with wet hands.
- When unplugging the appliance, don't hold the power cord, but the plug.

1.4 Handling Safety

- Make sure to unplug the appliance before carrying the product.
- This product is heavy, do not handle it by yourself. Injuries may occur if the product falls on you. Do not bump into places or drop the product while transporting it.
- Always close the doors and do not hold the product by its doors while transporting it.
- Be careful not to damage the cooling system and the pipes while handling the product. Do not operate the product if the pipes are damaged, and contact an authorized service.

1.5 Installation Safety

- Contact the Authorized Service for the product's installation. To prepare the product for use, see the information in the user manual and make sure the

electric and water utilities are as required. If not, call a qualified electrician and plumber to arrange the utilities as necessary. Failure to do so may result in electric shock, fire, problems with the product, or injury.

- The product is designed for use in areas 2000 metres below sea level.
- Check for any damage on the product before installing it. Do not have the product installed if it is damaged.
- Always use personal protective equipment (gloves, etc.) during product installation, maintenance and repair. Risk of Injury!
- Place the product on a clean, level and hard surface and balance it with the adjustable legs (by rotating the front feet to the right or left). Otherwise, the refrigerator may tip over and cause injuries.
- The product shall be installed in a dry and ventilated environment. Do not keep carpets, rugs or similar covers under the product. This may cause risk of fire as a result of inadequate ventilation!

- Do not block or cover ventilation holes. Otherwise, power consumption increases and your product may be damaged.
- When placing the product, make sure that the supply cable is not damaged or pinched.
- The product must not be connected to supply systems such as solar power supply. Otherwise, your product may be damaged due to sudden voltage changes!
- The more refrigerant a refrigerator contains, the bigger its installation room should be. In very small rooms, a flammable gas-air mixture may occur in case of a gas leak in the cooling system. At least 1 m³ of volume is required for each 8 grams of refrigerant. The amount of the refrigerant available in your product is specified in the Type Label.
- The installation place of the product shall not be exposed to direct sunlight and it shall not be in the vicinity of a heat source such as stoves, radiators, etc. If you cannot prevent installation of the product in the vicinity of a heat source, use a suitable insulation plate and make sure the minimum distance to the heat source is as specified below:
 - At least 30 cm away from heat sources such as stoves, ovens, heating units and heaters, etc.,
 - And at least 5 cm away from electrical ovens.
- Your product has the protection class of I.
- Plug the product in a grounded socket that conforms with the Voltage, Current and Frequency values specified in the type label. The socket must have a 10A – 16A fuse. Our firm will not assume responsibility for any damages due to usage without earthing and without power connection in compliance with local and national regulations.
- The product's power cable must be unplugged during installation. Otherwise, risk of electric shock and injury may occur!
- Do not plug the product's power cord in loose, dislocated, broken, dirty, oily power outlets which have a risk of water contact. These types of connections may cause overheating and fire.

- Place the power cable and hoses (if any) of the product so that they shall not cause a risk of tripping over.
- Penetration of humidity and liquid to live parts or to the power cord may cause short circuit. Thus, do not use the product in humid environments or in areas where water may splash (e.g. garage, laundry room, etc.) If the refrigerator is wet by water, unplug it and contact an authorized service.
- Do not ever connect your refrigerator to power saving devices. These systems are harmful for the product.
- There is a risk of contact with electrical parts when removing the electronic board cover and the compressor rear cover (if fitted). Do not remove the electronic board cover and the compressor rear cover (if fitted). There is a risk of electrocution!
- In case of a failure of the product, unplug it and do not operate until it is repaired by the authorized service. There is a risk of electric shock!
- Do not place a source of flame (e.g. candles, cigarettes, etc.) on the product or in the vicinity of it.
- Do not get on the product. Risk of falling and injury!
- Do not cause damage to the pipes of the cooling system using sharp and piercing tools. The refrigerant that sprays out in case of puncturing the gas pipes, pipe extensions or upper surface coatings may cause irritation of skin and injury to the eyes.
- Do not place and operate electrical appliances inside the refrigerator/freezer unless it is advised by the manufacturer.
- Do not jam any parts of your hands or your body to the moving parts inside the product. Be careful to prevent jamming of your fingers between the refrigerator and its door. Be careful while opening or closing the door if there are children around.

1.6 Operational Safety

- Do not ever use chemical solvents on the product. These materials contain an explosion risk.

- Do not put ice cream, ice cubes or frozen food to your mouth as soon as you take them out of the freezer. Risk of frostbite!
- Do not touch the inner walls, metal parts of the freezer or food kept inside the freezer with wet hands. Risk of frostbite!
- Do not place soda cans or cans and bottles that contain fluids that may be frozen to the freezer compartment. Cans or bottles may explode. Risk of injury and material damage!
- Do not use or place materials sensitive against temperature such as flammable sprays, flammable objects, dry ice or other chemical agents in the vicinity of the refrigerator. Risk of fire and explosion!
- Do not store explosive materials such as aerosol cans with flammable materials inside the product.
- Do not place cans containing fluids over the product an open state. Splashing of water on an electrical part may cause an electric shock or a fire.
- This product is not intended for storage and cooling of medicines, blood plasma, laboratory preparations or similar materials and products that are subject to the Medical Products Directive.
- If the product is used against its intended purpose, it may cause damage to or deterioration of the products kept inside.
- If your refrigerator is equipped with blue light, do not look at this light with optical devices. Do not stare directly at UV LED light for a long time. Ultraviolet rays may cause eye strain.
- Do not fill the product with more contents than its capacity. Injuries or damages may occur if the contents of the refrigerator fall when the door is opened. Similar problems may also occur when an object is placed over the product.
- Ensure that you have removed any ice or water that may have fallen to the floor to prevent injuries.
- Change the locations of the racks/bottle racks on the door of your refrigerator only when the racks are empty. Danger of injury!
- Do not place objects that may fall/tip over on the product. These objects may fall while opening or closing the door and cause injuries and/or material damages.

- Do not hit or exert excessive pressure on glass surfaces. Broken glass may cause injuries and/or material damages.
- The cooling system in your product contains R600a refrigerant. The refrigerant type used in the product is specified in the type label. This gas is flammable. Therefore, be careful not to damage the cooling system and the pipes while operating the product. In case of damage to the pipes;
 1. Do not touch the product or the power cable.
 2. Keep the product away from potential sources of fire that may cause the product to catch fire.
 3. Ventilate the area where the product is placed. Do not use a fan.
 4. Contact Authorized Service.

If the product is damaged and you observe gas leak, please stay away from the gas. Gas may cause frostbite if it contacts your skin.

Before disposing of old products that shall not be used any more:

1. Unplug the power cord from the mains socket.
2. Cut the power cable and remove it from the appliance together with the plug.

3. Do not remove the racks and drawers from the product to prevent children from getting inside the appliance.
 4. Remove the doors.
 5. Store the product so that it shall not be tipped over.
 6. Do not allow children to play with the scrapped product.
- Do not dispose of the product by throwing it into fire. Risk of explosion.
 - If there is a lock available on the product's door, keep the key out of children's reach.

1.7 Food Storage Safety

Please pay attention to the following warnings to avoid food spoilage:

- Leaving the doors open for a long time may cause the temperature inside the product to rise.
- Regularly clean the accessible drainage systems in contact with food.
- Clean the water tanks that have not been used for 48 hours and mains-fed water systems that have not been used for more than 5 days.
- Store raw meat and fish products in appropriate compartments within the product.

Thus, it does not drip on or come into contact with other foods.

- Two-star freezer compartments are used for storing pre-filled foods, making and storing ice and ice cream.
- One, two and three-star compartments are not appropriate for freezing fresh food.
- If the cooling product has been left empty for a long time, turn off the product, defrost, clean, and dry the product in order to protect the housing of the product.

1.8 Maintenance and Cleaning Safety

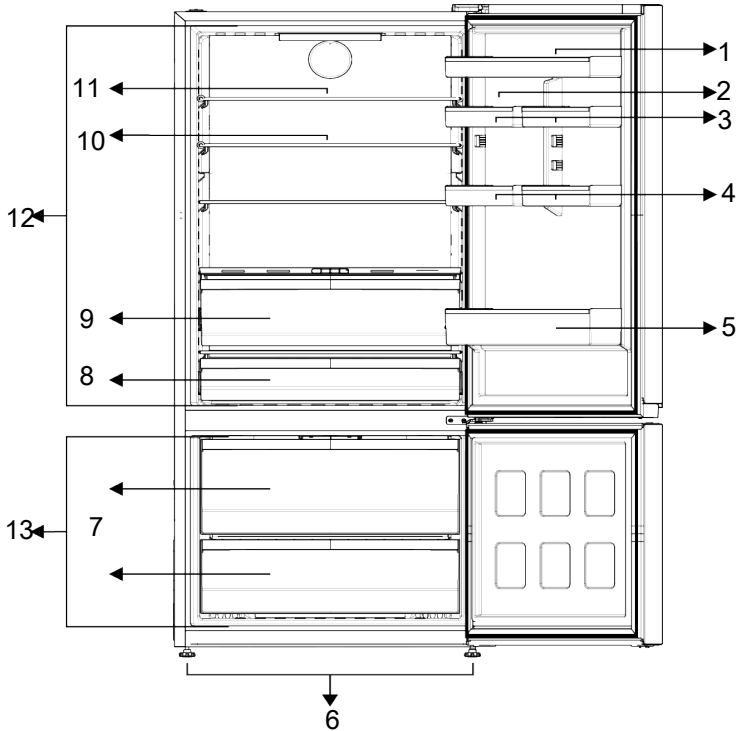
- Unplug the refrigerator before cleaning it or starting to perform maintenance.
- Do not pull by the door handle if you shall move the product for cleaning purposes. Handle may cause injuries if it is pulled too hard.
- Do not put your hands etc. under the refrigerator. Jamming may occur or any sharp edge may cause personal injuries.
- Do not clean the product by spraying or pouring water on the product and inside the product. Risk of electric shock and fire.
- When cleaning the product, do not use sharp and abrasive tools or household cleaning agents, detergent, gas, gasoline, thinner, alcohol, varnish, and similar substances. Use only cleaning and maintenance agents that are not harmful for food inside the product.
- Do not ever use steam or steamed cleaning materials for cleaning the product and thawing the ice inside it. Steam contacts the live areas in your refrigerator and causes short circuit or electric shock.
- Do not use any mechanical tools or any other tools than the recommendations of the manufacturer to speed up the defrost operation.
- Take care to keep water away from the ventilation holes, electronic circuits or lighting of the product.
- Use a clean, dry cloth to wipe the dust or foreign material on the tips of the plugs. Do not use a wet or damp piece of cloth to clean the plug. Otherwise, risk of fire or electric shock may occur.

2 Environmental Instructions

2.1 Compliance with WEEE regulations and Waste Disposal

2.2 Packaging Information

3 Your Refrigerator



- | | |
|--|--|
| 1 Cooler compartment door shelves | 2 Egg holder |
| 3 *Cooler compartment small door shelves | 4 *Cooler compartment small door shelves |
| 5 Bottle shelf | 6 Adjustable legs |
| 7 *Freezer compartment drawers | 8 Dairy (cold storage) drawer |
| 9 Crisper | 10 *Glass shelves |
| 11 *Moving Body Glass Shelf | 12 Cooler compartment |
| 13 Freezer compartment | |

***Optional:** Figures in this user manual are schematic and may not exactly match your product. If your product does not comprise the relevant parts, the information pertains to other models.

4 Installation

Right place for installation



Read the "Safety Instructions" section first!

Your product requires adequate air circulation to function efficiently. If the product will be placed in an alcove, remember to leave at least 5 cm clearance between the product and the ceiling, rear wall and the side walls. Check if the rear wall clearance protection component is present at its location (if provided with the product). If the component is not available, or if it is lost or fallen, position the product so that at least 5 cm clearance shall be left between the rear surface of the product and the wall of the room. The clearance at the rear is important for efficient operation of the product.



Do not use extension or multi sockets in the power connection.

Attaching the plastic wedges

Use the plastic wedges provided with the product to maintain sufficient space for air circulation between the product and the wall.

- Remove the screws on the product and mount the screws provided with the wedges.



The manufacturer assumes no responsibility for any damage caused by the work carried out by unauthorized persons.

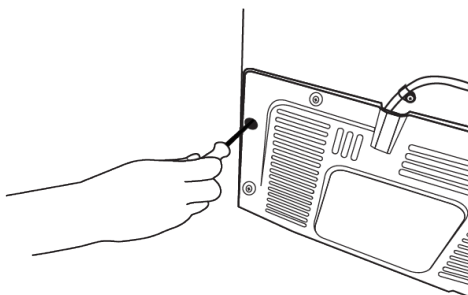


The product's power cable must be unplugged during installation. Failure to do so may result in death or serious injuries!

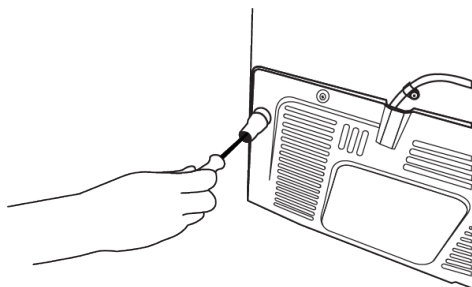


If the door span is too narrow for the product to pass, remove the door and turn the product sideways; if this does not work, contact the authorized service.

- Place the product on a flat surface to avoid vibration
- Place the product at least 30 cm away from the heater, stove and similar sources of heat and at least 5 cm away from electric ovens.
- Do not expose the product to direct sunlight or keep in damp environments.

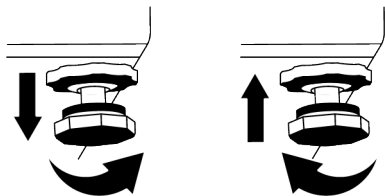


- Attach 2 plastic wedges on the ventilation cover as shown in the figure.



Adjusting the Legs


If the product is not in a balanced position, you can adjust the balance of the product by rotating the stands on the front right or left.



5 Preparation


 Read the "Safety Instructions" section first!


5.1 What To Do For Energy Saving

 Connecting the product to electronic energy-saving systems is harmful, as it may damage the product.


- This refrigerating appliance is not intended to be used as a built in appliance.
- Do not keep the refrigerator doors open for long periods.
- Do not place hot food or beverages into the refrigerator.
- Do not overfill the refrigerator; blocking the internal air flow will reduce cooling capacity.

4.1 Electrical Connection

 **WARNING:** Do not use extension or multi sockets in power connection.

 **WARNING:** Damaged power cable must be replaced by Authorized Service.

- Our firm will not assume responsibility for any damages due to usage without earthing and power connection in compliance with national regulations.
- The power cable plug must be easily accessible after installation.

 **Hot surface warning!**
The side walls of your product are equipped with cooler pipes to enhance the cooling system. High pressure fluid may flow through these surfaces, and cause hot surfaces on the side walls. This is normal and it does not require servicing. Be careful when you contact these areas.

- Since hot and humid air will not directly penetrate into your product when the doors are not opened, your product will optimize itself in conditions sufficient to protect your food. Under these circumstances, functions and components such as compressor, fan, heater, defrost, lighting, display and so on will operate according to the needs by consuming minimum energy.
- In case that multiple options are present, glass shelves must be placed so that the air outlets at the rear wall are not blocked and preferably, in a way that air outlets remain below the glass shelf. This combination may help improving air distribution and energy efficiency.
- Using the below drawer when storing is strongly recommended.

- Food shall be stored using the drawers in the cooler compartment in order to ensure energy saving and protect food in better conditions.

5.2 First Use

Before using your refrigerator, make sure the necessary preparations are made in line with the instructions in "Safety and Environmental Instructions" and "Installation" sections.

- Keep the product running without placing any food inside for 6 hours and do not open the door, unless absolutely necessary.
- The temperature change caused by opening and closing of the door while using the product may normally lead to condensation on door/body shelves and glassware placed in the product.



A sound will be heard when the compressor is engaged. It is normal for the product to make noise even if the compressor is not running, as fluid and gas may be compressed in the cooling system.



It is normal for the front edges of the refrigerator to be warm. These areas are designed to warm up in order to prevent condensation.



For some models, indicator panel turns off automatically 1 minute after the door closes. It will be re-activated when the door is opened or any button is pressed.

5.3 Climate Class and Definitions

Please refer to the Climate Class on the rating plate of your device. One of the following information is applicable to your device according to the Climate Class.

- **SN:** Long Term Temperate Climate: This cooling device is designed for use at ambient temperatures between 10 °C and 32 °C.
- **N:** Temperate Climate: This cooling device is designed for use at ambient temperatures between 16°C and 32 °C.
- **ST:** Subtropical Climate: This cooling device is designed for use at ambient temperatures between 16°C and 38°C.
- **T:** Tropical Climate: This cooling device is designed for use at ambient temperatures between 16°C and 43°C.

6 Operating the Product



Read the "Safety Instructions" section first!

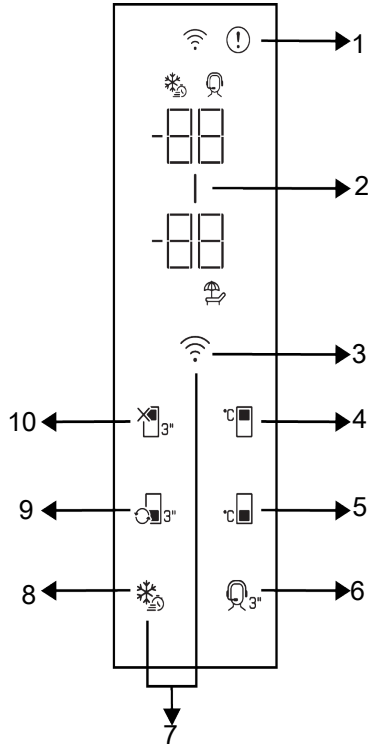
- Do not use any mechanical tools or any other tools than the recommendations of the manufacturer to speed up the defrost operation.
- Do not use parts of your refrigerator such as the door or drawers as a support or a step. This may cause the product to trip over or its components to be damaged.
- The product shall be used for storing food only.

- Turn off the water valve if you will be away from home (e.g. at vacation) and you will not be using the Icematic or the water dispenser for a long period of time. Otherwise, water leaks may occur.


Unplugging the Product

- If you are not going to use the product for a long time, unplug the product from the socket.
- Remove the food to prevent odours,
- Wait for the ice to melt, clean the interior and let it dry, leave the doors open to avoid damaging the inner body plastics.

7 Control Panel of the Product



- | | |
|--|---|
| 1 Error Status Indicator | 2 Energy Saving (Display Off) Indicator |
| 3 *Wireless Key | 4 Cooler Compartment Temperature Setting Key |
| 5 Freezer Compartment Temperature Setting Key | 6 *Support Service Key |
| 7 Key for Resetting Wireless Connection Settings | 8 *Quick Freezing Key/Handle Light Function Setting Key |
| 9 *Compartment Conversion Key | 10 Cooler Compartment Off (Vacation) Function Key |

 Read the "Safety Instructions" section first.

*Optional: Shown functions are optional, there may be differences of shape and location in functions found on your appliance's indicator panel.

Auditory and visual functions on the indicator panel will assist you in using the refrigerator.

1. Error Condition Indicator

This indicator will be active when your refrigerator cannot perform adequate cooling or in case of any sensor error. "E" will be displayed on the freezer compartment tem-

perature indicator and figures such as 1,2,3... will be displayed on the cooler compartment temperature indicator. These figures provide information to the authorized service on the error that has occurred. Exclamation mark may be displayed for a while when you load warm food to the freezer compartment or keep the door open for a long period of time. This is not a fault, this warning will be removed when the food is cooled down or when any key is pressed.

2. Energy Saving (Display Off) Indicator

Energy saving function is enabled automatically and the energy saving symbol lights up when the door of the product is not opened or closed for some period of time. When the energy saving function is active, all symbols on the screen except the energy saving symbol will be turned off. When the energy saving function is active, if you press any key or open the door, the energy saving function will be deactivated and the symbols on the screen will return to normal. The energy saving function is a function activated ex-factory and cannot be cancelled.

3. *Wireless Key

When the key is pressed for a long period (3 seconds), the wireless connection symbol on the display/screen flashes slowly (at 0.5 second intervals). The home network is initialized on the product this way.

After achieving wireless connection with the product, wireless connection symbol illuminates continuously.

When the initial connection is established, you may activate/deactivate the connection with a short press on this key. The wireless connection symbol will flash quickly (at 0.2 second intervals) until the connection is established. When the connection is active, the wireless network symbol will illuminate continuously.

If the connection cannot be established for a long period, check your connection settings and refer to the "Troubleshooting" section provided in the user manual.

HomeWhiz application will be used for wireless connection. The installation steps are described on the application during installation.

You may access the application by reading the QR code available on the HomeWhiz label on the product. Application is offered through App Store for IOS devices, and through Play Store for Android devices. Visit <https://www.homewhiz.com/> address for detailed information.

4. Cooler Compartment Temperature

Setting Key

Allows setting of temperature for cooler compartment. Pressing this key will enable the cooler compartment temperature to be set at 8, 7, 6, 5, 4, 3, 2 and 1 °C.

5. The Freezer Compartment Temperature Setting Key

Temperature setting is made for freezer compartment. When the key is pressed, the freezer compartment temperature can be set at the values of -18, -19, -20, -21, -22, -23, -24 °C.

6. *Support Service Key

Press this key for 3 seconds to activate/deactivate the support service. Detailed information on the support service is provided in the "Support Service Feature" section.

7. Key for Resetting Wireless Connection Settings

To reset the wireless connection settings, press on Quick freezing and Wireless connection keys simultaneously for 3 seconds. All user information recorded previously are removed on a product where wireless connection settings are reset/restored to factory defaults.

8. Quick Freezing Key

When the quick freezing key is pressed, the LED on the key is illuminated and the quick freezing function will be activated. Freezer compartment temperature is set to -27 Celsius. Press the key again to cancel the

function. The quick freezing function will be cancelled automatically. To freeze a large amount of fresh food, press the quick freezing key before placing the food in the freezer compartment.

*Handle Light Function Setting Key

Handle light function might be switched between open and closed modes by pressing the quick freezing key for 3 seconds. In the closed mode, the handle light is only activated when the appliance door is opened and it goes out after a while after the door is closed. In the open mode, the handle light is activated when the appliance door is opened, the handle light stays on dimly after a while after the door is closed. The handle light function is set to the ex-factory closed mode.

9. *Compartment Conversion Key

Pressing compartment conversion key for 3 seconds, the freezer compartment switches

8 Using The Product



Read the "Safety Instructions" section first!

8.1 Storing Food in the Freezer and Cooler Compartment

Storing food in the freezer compartment

- You can activate Quick Freezing function 4-6 hours before freezing function and perform a faster cooling.
- Bring hot meals to the room temperature before placing them in the freezer compartment.
- Foods to be frozen must be divided into portions according to a size to be consumed, and frozen in separate packages.
- It is recommended to pack the foods before placing them in the freezer.
- In order to prevent expiration of storage time, write the freezing date, time and name of the product on the package according to the storage times of different foods.

between cooler, off, and freezer modes.

If it is operated as the cooler compartment, the temperature of the compartment will be set as 4 °C. In the off mode, compartment temperature indicator shall display "--".

10. Cooler Compartment Off (Vacation)

Function Key

Press the key for 3 seconds to activate the vacation function. Vacation mode is activated and the vacation symbol is illuminated. "--" shall be displayed on the Cooler Compartment temperature indicator and the cooler compartment does not actively perform cooling.

You should not keep your food in the cooler compartment if you activate this function. Other

compartments continue to cool according to temperatures set before. Press the key for 3 seconds again to cancel this function.

- Consume the foods you have defrosted quickly. Defrosted foods cannot be frozen again unless they are cooked. It is not safe to consume the refrozen fresh foods without cooking after they are defrosted.
- As you freeze fresh foods, do not bring them in contact with already frozen foods. Otherwise, frozen foods will be defrosted.

Storing the foods, which are sold frozen

- Always follow the instructions of the producer in relation to the time during which you are required to store your foods. Do not exceed the time specified in these instructions!
- In order to protect the quality of the food, keep the time interval between purchasing transaction and storing as short as possible.
- Buy frozen food which are stored at -18 °C or lower temperatures.

- Avoid buying foods whose packages are covered with ice etc. This means that the product could be partially defrosted and refrozen. Temperature impacts the quality of the food.
- Do not exceed the storing time recommended by the food producer. Remove only the food as much as you need from the freezer.
- Except the cases where extreme circumstances are available in the environment, if your product (on the recommended set values table) is set to the specified set values, the food keep their freshness for a longer time both in the fresh product compartment and freezer compartment.
- If fresh food compartment is set to a lower temperature, fresh fruits and vegetables may be partially frozen.

Recommended set values table

Freezer Compartment Setting	Fridge Compartment Setting	Remarks
-18°C	4°C	This is the default, recommended setting. This setting is recommended if ambient temperature is below 30°C.
-20, -22 or -24 °C	4°C	These settings are recommended for ambient temperatures exceeding 30°C.
Quick Freeze	4°C	Use when you want to freeze your food in a short time. When the process ends, the product's settings will return to previous position.
-18°C or colder	2°C	Use these settings if you believe the cooler compartment is not cold enough due to ambient temperature or frequently opening the door.

Quick freezing

1. Activate the quick freezing function 24 hours before placing your fresh foods.
2. After 24 hours after pressing the button, place your food that you want to freeze on the second shelf with higher freezing capacity.
3. The quick freezing function will be automatically deactivated after 48 hours.

Freezer details

As per the IEC 62552 standards, the freezer must have the capacity to freeze 4,5 kg of food items at -18°C or lower temperatures at 25°C room temperature in 24 hours for each 100 litres of freezer compartment volume.

Food products can only be preserved for extended periods at or below temperature of -18 °C.

You can keep the foods fresh for months (in freezer at or below temperatures of -18 °C).

The food products to be frozen must not contact the already-frozen food inside to avoid partial defrosting.

Boil the vegetables and filter the water to extend the frozen storage time. Place the food in air-tight packages after filtering and place in the freezer. Bananas, tomatoes, lettuce, celery, boiled eggs, potatoes and similar food items should not be frozen. In case these foods are frozen, only nutritional values and eating qualities will be negatively affected. A rotting that would threaten human health is not in question.

Placing the food

Freezer compartment shelves: Different frozen foods like meat, fish, ice cream, vegetables etc.

Cooler compartment shelves: Food items inside pots, capped plate and capped cases, eggs (in closed case)

Cooler compartment door shelves: Small and packaged food or beverages

Crisper: Vegetables and fruits

Fresh food compartment: Delicatessen (breakfast food, meat products to be consumed in short time)

Storing food in the cooler compartment

- Compartment temperatures rise prominently if compartment door is opened and closed frequently and kept open for a long time, this can reduce the life span of the food and cause the food to spoil.
- In order not to cause odour and taste changes, the food should be stored in the closed containers.
- Do not store too much food in your refrigerator. To achieve a better and homogeneous cooling, place the food separately in a way that cold air can wander through them.
- Provide air flow by leaving a space between the food and internal wall. If you lean the food against the rear wall, the food may freeze.
- Bring cooked hot meals to the room temperature before placing them in the refrigerator. Then, you can place the tepid meal in the lower shelves of your refrigerator. Do not place the tepid meals close to the foods which may easily spoil.
- Defrost your frozen food in the fresh food compartment. Thereby, you can cool fresh food compartment by using frozen food and save energy.
- Storing unripe tropical fruits (mango, melon varieties, papaya, banana, pineapple) in the refrigerator may speed up the ripening process. This is not recommended because it will cause shorter storage time.
- You should store onions, garlics, gingers and other root vegetables in dark and cold room conditions, not in the refrigerator.
- If you notice that a food has spoiled in the refrigerator, throw away that food and clean the accessories which have come into contact with it.
- In order to cool the meals like soups and stews, which are cooked in the large pots, quickly, you can put them in the refrigerator by separating them into their own shallow containers.
- Do not place unpackaged food close to eggs.
- Keep the fruits and vegetables separately and store each variety together (for example; apples with apples, carrots with carrots)
- Take green vegetables out of the plastic bag and place them in the refrigerator after wrapping them in a paper towel or drying cloth. If you wash this type of food before placing them in the refrigerator, remember to dry them.
- You can both create a damp environment and provide an air flow by keeping fruits and vegetables, which are prone to drying, in the perforated or unsealed plastic bags.
- Except the cases where extreme circumstances are available in the environment, if your product (on the recommended set values table) is set to the specified set values, the food keep their freshness for a longer time both in the fresh product compartment and freezer compartment.

Store different food in different places according to their properties.

Food	Location
Egg	Door Shelf
Dairy products (butter, cheese)	If available, zero degree (for breakfast food) compartment
Fruits, vegetables and greenery	Fruit-vegetable compartment, crisper or EverFresh+ compartment (if available)

Food	Location
Fresh meat, poultry, fish, sausage etc. Cooked foods	If available, zero degree (for breakfast food) compartment
Ready to serve foods, packaged products, canned foods and pickles	Top shelves or door shelf
Beverages, bottles, spices and snacks	Door Shelf

8.2 Replacing the Illumination Lamp

Call the Authorized Service when the Bulb/LED used for lighting in your refrigerator will be replaced.

Lamp(s) used in this appliance cannot be used for house lighting. Intended use of this lamp is to help the user place food into the refrigerator / freezer safely and comfortably.

8.3 Door Open Alert

The door open alert system of your refrigerator may differ depending on the model.

Version 1;

If the door of the product remains open for a certain time (between 60 s and 120 s), an audio warning signal sounds; depending on the product model, a visual warning signal (light flash) can also be displayed. If you close the door of the device or press a button on the screen of the device, if any, the warning sound will stop.

Version 2;

If the door of the device remains open for a certain period of time (between 60 s and 120 s), the door open alert is sounded. The door open alert is sounded gradually. First, an audible warning starts to sound. After 4 minutes, if the door is still not closed, a visual warning (lighting flash) is activated. The door open alert will be delayed for a certain period of time (between 60 s and 120 s) when any key on the product screen, if any, is pressed. Then the process will start again. When the device door is closed, the door open alert will be cancelled.

8.4 Reversing the Door Opening Side

The door opening side of your refrigerator can be reversed according to the place you put it. When you need this, you should definitely call the nearest Authorized Service.

9 Product Features

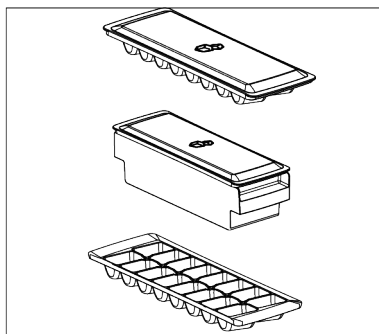
9.1 The ice storage area

Ice Container

Ice bucket allows you take ice easily from the refrigerator.

Using the ice bucket

1. Take the ice bucket out of the freezer compartment.
2. Fill the ice bucket with water.
3. Place the ice bucket into the freezer compartment. The ice will be ready after approximately two hours.
4. Take the ice bucket from the freezer compartment and bend in slightly over the holder that you are going to serve. Ice will easily pour into the serving holder.



9.2 Crisper

The refrigerator's crisper is designed to keep vegetables fresh by preserving their humidity. For this purpose, the overall cold air circulation is intensified in the crisper.

Keep fruits and vegetables in this compartment. Keep the green-leaved vegetables and fruits separately to prolong their life.

9.3 Crisper Technologies

Blue Light

Fruits and vegetables stored in the crispers that are illuminated with a blue light continue their photosynthesis by means of the wavelength effect of blue light and thus preserve their vitamin content.

VitaminZone

Fruits and vegetables stored in crispers illuminated with the VitaminZone technology preserve their vitamins for a longer time thanks to the blue, green, red lights and dark cycles, which simulate a day cycle. When the door of your refrigerator is opened during the dark period of the VitaminZone technology, your refrigerator shall sense this automatically and illuminate the crisper with one of the blue, green or red lights respectively for your convenience. After you have closed the door of the refrigerator, the dark period will continue, representing the night time in a day cycle.

9.4 AeroFresh

It is an air distribution system that provides homogeneous temperature distribution. With the air circulation, the homogeneous temperature distribution is ensured in the fresh food storage compartment, and the temperature fluctuations are kept at low levels. No direct air blowing over the food is realized and this helps to reduce moisture loss. It preserves the freshness of the food stored in the fresh food compartment of the refrigerator. In this way, your food is stored at more stable temperatures and the contact with air is reduced. The drying and shrinking of foods by losing moisture is prevented and freshness is provided for a longer time.

9.5 Humidity Controlled Crisper

Full fresh

With the humidity controlled crisper, you can store vegetables and fruits for a longer period at an environment with ideal humidity conditions.

With the humidity setting system with 3 options in front of your crisper, you may control the humidity inside the compartment as per the food you store. We recommend you to store your food by selecting vegetable option when you store vegetables only, fruit option when you store fruit only and mixed option when you store mixed food.

We recommend that the vegetables and fruits shall not be stored in bags to improve the storage period of the food and to better benefit from the humidity control system. Leaving them in plastic bags causes vegetables to rot in a short time. We recommend that cucumbers and broccolis, in particular, are not stored in closed bags. In situations where contact with other vegetables is not preferred, use packaging materials such as paper that has a certain level of porosity in terms of hygiene.

When placing the vegetables, place heavy and hard vegetables at the bottom and light and soft ones on the top, taking into account the specific weights of vegetables. Do not put fruits that have a high ethylene gas production such as pear, apricot, peach and particularly apple in the same crisper with other vegetables and fruits. The ethylene gas coming out of these fruits might cause other vegetables and fruits to mature faster and rot in a shorter period of time.

9.6 Mobile Body Shelf

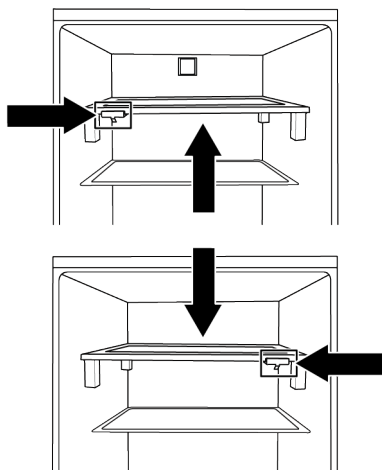
The manual moving body shelf is an application that allows flexible use of shelf volume in the refrigerator.

When you want to put a product which is higher than the size between the two shelves in your refrigerator, shifting the manual moving body shelf to the right by

holding it from the handle shown in the picture will allow you to move the shelf upwards. By moving the handle piece to the right, you can increase the manual body shelf maximum 45 mm.

The manual moving body shelf can be moved when there is a maximum load of 10 kg on it.

If more than 10 kg is to be loaded, it must be used as a fixed shelf, similar to the other body shelves. In this case, if it is necessary to adjust the height of the shelf; please take the food from the shelf, adjust the position of the shelf as desired and then load your food. The maximum load that the shelf can carry in a stationary state is determined as 40 kg.



10 Maintenance and Cleaning



WARNING:

Read the "Safety Instructions" section first.



WARNING:

Unplug the refrigerator before cleaning it.

- Do not use sharp or abrasive tools to clean the product. Do not use materials such as household cleaning agents, soap, detergents, gas, gasoline, thinner, alcohol, wax, etc.
- The dust shall be removed from the ventilation grill on the rear of the product at least once a year (without opening the cover). Clean the product with a dry cloth.
- Take care to keep water away from the lamp's cover and other electrical parts.
- Clean the door with a damp cloth. Remove all contents to remove the door and body racks. Remove the door racks by lifting them upwards. Clean and dry the shelves, then attach back in place by sliding from above.
- Do not use chlorinated water or cleaning products on the exterior surface and chrome-coated parts of the product. Chlorine will cause rust on such metallic surfaces.
- Do not use sharp and abrasive tools, soap, house cleaning materials, detergents, gas, gasoline, varnish and similar substances to prevent deformation of the plastic part and removal of prints on the part. Use warm water and a soft cloth for cleaning, and then dry it.
- On the products without a No-Frost feature, water droplets and icing up to a thickness of a finger may occur on the rear wall of the freezer compartment. Do not clean, and never apply oils or similar materials.
- Use a mildly dampened micro-fibre cloth to clean the external surface of the product. Sponges and other types of cleaning clothes may cause scratches.
- To clean all removable components during the cleaning of the interior surface of the product, wash these components with a mild solution consisting of soap, water and carbonate. Wash and dry thoroughly. Prevent contact of water with illumination components and the control panel.

**CAUTION:**

Do not use vinegar, rubbing alcohol or other alcohol based cleaning agents on any interior surface.

Stainless Steel External Surfaces

Use a non-abrasive stainless steel cleaning agent and apply it with a soft lint-free cloth. To polish, gently wipe the surface with a micro-fibre cloth dampened with water and use dry polishing chamois. Always follow the veins of the stainless steel.

Preventing Odours

The product is manufactured free of any odorous materials. However, keeping the food in inappropriate sections and improper cleaning of internal surfaces may lead to odours.

- To avoid this, clean the inside with carbonated water every 15 days.

11 Troubleshooting

Check this list before contacting the service. Doing so will save you time and money. This list includes frequent complaints that are not related to faulty workmanship or materials. Certain features mentioned herein may not apply to your product.

The refrigerator is not working.

- The power plug is not fully settled. >>> Plug it in to settle completely into the socket.
- The fuse connected to the socket powering the product or the main fuse is blown. >>> Check the fuse.

Condensation on the side wall of the cooler compartment (MULTI ZONE, COOL CONTROL and FLEXI ZONE).

- The door is opened too frequently. >>> Take care not to open the product's door too frequently.
- The environment is too humid. >>> Do not install the product in humid environments.

- Keep the foods in sealed holders, as micro-organisms arising from foods kept in unsealed containers will cause bad odour.
- Do not keep expired and spoiled foods in the refrigerator.



Tea is one of the most effective odour removers. Place the pulp of the brewed tea in the product inside an open container and remove it after 12 hours at the latest. If you keep the tea pulp inside the product for longer than 12 hours, it will collect the organisms that cause the odour so it can be the source of odour itself.

Protecting Plastic Surfaces

Oil spilled on plastic surfaces may damage the surface and must be cleaned immediately with warm water.

- Foods containing liquids are kept in unsealed holders. >>> Keep the foods containing liquids in sealed holders.
- The product's door is left open. >>> Do not keep the product's door open for long periods.
- The thermostat is set to a very cool temperature. >>> Set the thermostat to an appropriate temperature.

Compressor is not working.

- In case of sudden power failure or pulling the power plug off and putting back on, the gas pressure in the product's cooling system is not balanced, which triggers the compressor thermic safeguard. The product will restart after approximately 6 minutes. If the product does not restart after this period, contact the service.
- Defrosting is active. >>> This is normal for a fully-automatic defrosting product. The defrosting is carried out periodically.
- The product is not plugged in. >>> Make sure the power cord is plugged in.

- The temperature setting is incorrect. >>> Select the appropriate temperature setting.
- The power is out. >>> The product will continue to operate normally once the power is restored.

The refrigerator's operating noise is increasing while in use.

- The product's operating performance may vary depending on the ambient temperature variations. This is normal and not a malfunction.

The refrigerator runs too often or for too long.

- The new product may be larger than the previous one. Larger products will run for longer periods.
- The room temperature may be high. >>> The product will normally run for long periods in higher room temperature.
- The product may have been recently plugged in or a new food item is placed inside. >>> The product will take longer to reach the set temperature when recently plugged in or a new food item is placed inside. This is normal.
- Large quantities of hot food may have been recently placed into the product. >>> Do not place hot food into the product.
- The doors were opened frequently or kept open for long periods. >>> The warm air moving inside will cause the product to run longer. Do not open the doors too frequently.
- The freezer or cooler door may be ajar. >>> Check that the doors are fully closed.
- The product may be set to a temperature that is too low. >>> Set the temperature to a higher degree and wait for the product to reach the adjusted temperature.
- The cooler or freezer door washer may be dirty, worn out, broken or not properly settled. >>> Clean or replace the gasket. Damaged / torn door washer will cause the product to run for longer periods to preserve the current temperature.

The freezer temperature is very low, but the cooler temperature is adequate.

- The freezer compartment temperature is set to a very low degree. >>> Set the freezer compartment temperature to a higher degree and check again.

The cooler temperature is very low, but the freezer temperature is adequate.

- The cooler compartment temperature is set to a very low degree. >>> Set the cooler compartment temperature to a higher degree and check again.

The food items kept in cooler compartment drawers are frozen.

- The cooler compartment temperature is set to a very low degree. >>> Set the cooler compartment temperature to a higher degree and check again.

The temperature in the cooler or the freezer is too high.

- The cooler compartment temperature is set to a very high degree. >>> Temperature setting of the cooler compartment has an effect on the temperature in the freezer compartment. Wait until the temperature of relevant parts reach the sufficient level by changing the temperature of cooler or freezer compartments.
- The doors were opened frequently or kept open for long periods. >>> Do not open the doors too frequently.
- The door may be ajar. >>> Fully close the door.
- The product may have been recently plugged in or a new food item is placed inside. >>> This is normal. The product will take longer to reach the set temperature when recently plugged in or a new food item is placed inside.
- Large quantities of hot food may have been recently placed into the product. >>> Do not place hot food into the product.

Shaking or noise.

- The surface is not flat or durable >>> If the product is shaking when moved slowly, adjust the stands to balance the product. Also make sure the ground is sufficiently durable to bear the product.
- Any items placed on the product may cause noise. >>> Remove any items placed on the product.
- The product is making noise of liquid flowing, spraying etc.
- The product's operating principles involve liquid and gas flows. >>> This is normal and not a malfunction.

There is sound of wind blowing coming from the product.

- The product uses a fan for the cooling process. This is normal and not a malfunction.

There is condensation on the product's internal walls.

- Hot or humid weather will increase icing and condensation. This is normal and not a malfunction.
- The doors were opened frequently or kept open for long periods. >>> Do not open the doors too frequently; if open, close the door.
- The door may be ajar. >>> Fully close the door.

There is condensation on the product's exterior or between the doors.

- The ambient weather may be humid, this is quite normal in humid weather. >>> The condensation will dissipate when the humidity is reduced.

The interior smells bad.

- The product is not cleaned regularly. >>> Clean the interior regularly using sponge, warm water and carbonated water.

- Certain holders and packaging materials may cause odour. >>> Use holders and packaging materials without free of odour.
- The foods were placed in unsealed holders. >>> Keep the foods in sealed holders. Microorganisms may spread out of unsealed food items and cause bad odour.
- Remove any expired or spoiled foods from the product.

The door is not closing.

- Food packages may be blocking the door. >>> Relocate any items blocking the doors.
- The product is not standing in full upright position on the ground. >>> Adjust the stands to balance the product.
- The surface is not flat or durable >>> Make sure the surface is flat and sufficiently durable to bear the product.

The crisper is jammed.

- The food items may be in contact with the upper section of the drawer. >>> Reorganize the food items in the drawer.

Temperature on the product surface.

- High temperature may be observed between two doors, on the side panels and on the rear grill area while your product is operated. This is normal and it does not require servicing.

Fan continues to operate when the door is opened.

- Fan may continue to operate when the freezer door is open.



WARNING: If the problem persists after following the instructions in this section, contact your vendor or an Authorized Service. Do not try to repair the product. This is normal.

DISCLAIMER / WARNING

Some (simple) malfunctions may be repaired by end users without creating any safety issue or causing unsafe usage

provided that they are carried out under the following instructions. (Please see the section "I Want to Repair Myself".)

For this reason, except for parts specified at the section “I Want to Repair Myself” as could be repaired by end users, repair by an authorized service station is definitely suggested for the purpose of preventing any safety issues and this is required so that Arçelik product warranty may continue.

I WANT TO REPAIR MYSELF

Repair that will be carried out by end users can be performed within the following spare parts: Door Handles and Door Hinges, Door Joints and peripheral Trays, Baskets, Racks. (You may have access to current list of spare parts from <https://www.arcelik.com.tr/destek> as of 1 March 2021) Further, in order to ensure product safety and to prevent risk of severe injuries, repair has to be carried out according to instructions from user manual or <https://www.arcelik.com.tr/destek> For your own safety, please unplug product prior to carrying out any repair. Arçelik may not be held responsible for safety issues that may arise because of repairs or attempts not carried out in accordance with instructions specified at user manuals or located at <https://www.arcelik.com.tr/destek> and performed on parts other than parts contained at current list of parts accessed from <https://www.arcelik.com.tr/destek> . In such a case, Arçelik product warranty will be invalid.

For this reason, we strongly recommend end users to avoid carrying out repairs for parts other than above-mentioned spare parts themselves and apply to an authorized service station in case of requirement. Such repair attempts by end users may cause safety issues, may damage product and may cause fire, flood, electrocution and severe personal injuries afterwards.

Including but not limited to the listed items, repairs of the following parts have to be performed by authorized service stations: Compressor, Cooling system elements, Motherboard, Inverter card, Display card, etc. Manufacturer/dealer may not be held

responsible for any circumstances where end users fail to act in accordance with the foregoing.

This product is equipped with a lighting source of the "G" energy class.

The lighting source in this product shall only be replaced by professional repairers.

يرجى قراءة دليل المستخدم هذا أولاً.

عملينا العزيز،

يرجى قراءة هذا الدليل قبل استخدام المنتج.

نشكرك على اختبارك هذا المنتج Arçelik. نتمنى أن تصل إلى الكفاءة المثلى من هذا المنتج عالي الجودة الذي تم تصنيعه بأحدث التقنيات. للقيام بذلك ، اقرأ هذا الدليل بعناية وأية وثائق أخرى مقدمة قبل استخدام المنتج واحتفظ به كمرجع.

انتبه إلى جميع المعلومات والتحذيرات الموجودة في دليل المستخدم. بهذه الطريقة ، ستحمي نفسك ومنتجك من الأخطار التي قد تحدث.

احتفظ بدليل المستخدم. قم بتضمين هذا الدليل مع الجهاز إذا قمت بتسليمه إلى شخص آخر.

تستخدم الرموز التالية في دليل المستخدم:

خطر قد يؤدي إلى الوفاة أو الإصابة.



معلومات مهمة أو نصائح مفيدة حول التشغيل.



اقرأ دليل المستخدم.



مادة قابلة للاشتعال، تحذير من مخاطر الحريق.



تنبه خطر قد يتسبب في تلف مادي بالمنتج أو المناطق المحيطة به

يمكن الوصول إلى معلومات الموديل المخزنة في قاعدة بيانات المنتج بزيارة الموقع التالي والبحث عن معرف الموديل (*) المطبوع على ملصق الطاقة.

[/https://eprel.ec.europa.eu](https://eprel.ec.europa.eu)



ENERG



ÜRETİCİ İSMİ

MODEL TANIMI

A

A

34	١	تعليمات السلامة.....
34	١-١	طريقة الاستخدام.....
34	٢-١	سلامة الأطفال والضعفاء والحيوانات الأيقة.....
35	٣-١	السلامة الكهربائية.....
35	٤-١	سلامة نقل المنتج.....
36	٥-١	سلامة التركيب.....
37	٦-١	السلامة التشغيلية.....
39	٧-١	سلامة تخزين الطعام.....
40	٨-١	سلامة الصيانة والتنظيف.....
41	٢	التعليمات البيئية.....
41	١-٢	الامتثال للوائح AEEE والتخلص من النفايات.....
41	٢-٢	معلومات مواد التغليف.....
42	٣	ثلاجتك.....
43	٤	التركيب.....
44	١-٤	التوصيلات الكهربائية.....
44	٥	الإعداد.....
44	١-٥	إجراءات توفير الطاقة.....
44	٢-٥	الاستخدام لأول مرة.....
45	٣-٥	فئة المناخ والتعاريف.....
45	٦	تشغيل المنتج.....
46	٧	لوحة التحكم في منتجك.....
48	٨	استخدام المنتج.....
48	١-٨	تخزين الطعام في حجرة المجمد والمبرد.....
50	٢-٨	استبدال مصباح الإضاءة.....
50	٣-٨	تحذير فتح الباب.....
51	٤-٨	عكس جانب فتح الباب.....
51	٩	مواصفات المنتج.....
51	١-٩	منطقة تخزين الثلج.....
51	٢-٩	رف الخضروات.....
51	٣-٩	تقنيات درج الخضروات.....
51	٤-٩	AeroFresh.....
51	٥-٩	درج التحكم في الرطوبة.....
52	٦-٩	رف الهيكل المتحرك.....
52	١٠	الصيانة والتنظيف.....

١ تعليمات السلامة

- في النزل أو البيئات المماثلة ، في خدمات الضيافة وتقديم الطعام والتطبيقات المماثلة في غير محلات التجزئة.
- لا يجوز استخدام هذا المنتج في البيئات الخارجية المفتوحة أو المغلقة مثل السفن أو عربات التخيم أو الشرفات. قد يؤدي تعريض المنتج للمطر والثلج وأشعة الشمس والرياح إلى خطر نشوب حريق.

٢-١ سلامة الأطفال والضعفاء والحيوانات الأليفة

- يمكن للأطفال بعمر 8 أعوام فأكثر والأشخاص الذين يعانون من قدرات بدنية أو حسية أو عقلية محدودة أو يفتقرون للخبرة والمعرفة استخدام هذا المنتج تحت الإشراف أو وفقاً للتعليمات الخاصة باستخدام الجهاز بطريقة آمنة شريطة أن يكونوا مدركين للمخاطر المتعلقة بذلك.
- يُسمح للأطفال الذين تتراوح أعمارهم بين 3 و 8 سنوات بوضع وإخراج الطعام من / إلى المنتج المبرد.
- تشكل المنتجات الكهربائية خطورة على الأطفال والحيوانات الأليفة. يجب على الأطفال والحيوانات الأليفة تجنب اللعب بالمنتج أو التسلق عليه أو دخوله.

- يوضح هذا الجزء تعليمات السلامة اللازمة لمنع خطر الإصابة أو الضرر المادي.
- لا تتحمل شركتنا المسؤولية عن أي أضرار قد تقع إذا لم يتم التقيد بهذه التعليمات.

يجب أن تُجرى عمليات التثبيت والإصلاح دائماً لدى مركز خدمة متعمد.



لا تستخدم سوى قطع الغيار والملحقات الأصلية.



لا تصلح أو تستبدل أي جزء من الجهاز إلا إذا ذكر ذلك صراحة في دليل المستخدم.



لا تُجرى أي تعديلات على المنتج.



١-١ طريقة الاستخدام

- هذا المنتج غير مناسب للاستخدام التجاري ولا ينبغي استخدامه لأي غرض آخر غير الغرض المقصود منه.
 - هذا المنتج مخصص للتشغيل في المساحات الداخلية، مثل المنازل أو ما شابه ذلك.
- مثال؛

في مطابخ الموظفين بالمتاجر والمكاتب وبيئات العمل الأخرى ، في المزارع، في وحدات الفنادق أو الموتيلات أو مرافق الاستراحة الأخرى التي يستخدمها الزبائن،

- لا تضع سلك الطاقة أسفل المنتج أو في الجزء الخلفي منه. لا تضع عناصر ثقيلة على سلك الطاقة. يجب عدم ثني سلك الطاقة أو الضغط فوقه أو ملامسته لأي مصدر حرارة.
 - لا تستخدم سلك تمديد أو مقبس متعدد أو محول لتشغيل منتجك.
 - قد تؤدي المقابس المتعددة المحمولة أو مصادر الطاقة المحمولة إلى زيادة الحرارة وتسبب الحريق. وبالتالي، لا تضع مصادر طاقة محمولة متعددة المقابس خلف المنتج أو بالقرب منه.
 - لا تقم بتوصيل سلك الطاقة الخاص بالمنتج بمأخذ طاقة مفكوك أو تالف. قد ترتفع درجة حرارة هذه الأنواع من الوصلات وتسبب في نشوب حريق.
 - يجب أن تكون هناك سهولة في الوصول إلى المقبس. إذا لم يكن ذلك ممكناً، فيجب توفير آلية في التركيب تتوافق مع التشريعات الكهربائية وتفصل جميع المحطات الطرفية عن تمديدات الشبكة (المصهر، والمفتاح الرئيسي، الخ).
 - لا تلمس القابس بأيدي مبللة!
 - عند فصل الجهاز، لا تمسك سلك الطاقة، بل القابس.
- ⚠️ ٤-١ سلامة نقل المنتج**
- تأكد من فصل الجهاز عن الكهرباء قبل حمل المنتج.

- لا ينبغي أن يقوم الأطفال بالتنظيف وصيانة المستخدم ما لم يكن هناك من يشرف عليهم.
 - أبعد مواد التغليف عن الأطفال. خطر الإصابة والاختناق.
 - قبل التخلص من المنتجات القديمة التي لا يجب استخدامها بعد الآن:
1. افصل سلك الطاقة من مأخذ التيار.
 2. اقطع سلك الطاقة وقم بإزالته من الجهاز مع القابس.
 3. لا تقم بإزالة الرفوف والأدراج من المنتج لمنع الأطفال من الدخول إلى الجهاز.
 4. فك الأبواب.
 5. قم بتخزين المنتج بحيث لا ينقلب.
 6. لا تسمح للأطفال بالعبث بالجهاز المفكك.
- لا تتخلص من المنتج برميهِ في النار. خطر الانفجار!
 - إذا كان هناك قفل متوفر في باب المنتج، احفظ مفتاح القفل بعيداً عن متناول الأطفال.
- ⚠️ ٣-١ السلامة الكهربائية**
- يجب عدم توصيل المنتج بالمأخذ أثناء عمليات التركيب والصيانة والتنظيف والإصلاح والنقل.
 - في حالة تلف سلك الطاقة، فيجب استبداله بواسطة الخدمة المعتمدة فقط لتجنب أي خطر قد يحدث.

- ضع المنتج على سطح نظيف ومستو وصلب وقم بموازنته مع الأرجل القابلة للتعديل (عن طريق تدوير القدمين الأماميتين إلى اليمين أو اليسار). وإلا فقد تتقلب الثلاجة وتتسبب في حدوث إصابات.
- يجب تركيب المنتج في بيئة جافة وجيدة التهوية. لا تضع سجاد أو بسط أو أغطية مشابهة أسفل المنتج. قد يؤدي ذلك إلى نشوب حريق نتيجة التهوية الغير كافية!
- لا تسد أو تغطي فتحات التهوية. بخلاف ذلك، يزيد استهلاك الطاقة وقد يتلف منتجك.
- عند وضع المنتج، تأكد من أن كابل الإمداد غير تالف أو مقروص.
- يجب عدم توصيل المنتج بأنظمة الإمداد مثل مصدر الطاقة الشمسية. بخلاف ذلك، قد يتلف منتجك بسبب التغيرات المفاجئة في الجهد الكهربائي!
- كلما زادت كمية غاز التبريد في الثلاجة، زادت مساحة الغرفة التي يجب تركيب الثلاجة بها. في الغرف الصغيرة جداً، قد يتشكل خليط غاز-هواء قابل للاشتعال في حالة تسرب الغاز في نظام التبريد. يطلب ما لا يقل عن 1 متر مكعب من الحجم لكل 8 جرام من سائل التبريد. تم تحديد كمية مادة التبريد المتوفرة في منتجك في ملصق النوع.

- هذا المنتج ثقيل، لا تحمله بمفردك. فقد تحدث إصابات إذا وقع المنتج عليك. لا تصطدم المنتج أو تسقطه أثناء نقله.
- أغلق الأبواب دائماً ولا تمسك المنتج من أبوابه أثناء نقله.
- احرص على عدم إتلاف نظام التبريد والأنابيب أثناء نقل المنتج. لا تقم بتشغيل المنتج في حالة تلف الأنابيب، واتصل بخدمة معتمدة.

! ٥-١ سلامة التركيب

- اتصل بخدمة الصيانة المعتمدة من أجل تركيب الجهاز. لإعداد الجهاز للاستخدام، انظر المعلومات في دليل المستخدم وتأكد أن منافع الكهرباء والماء كما هو مطلوب. إذا لم يكن الأمر كذلك، فاتصل بغني كهربائي وسباك مؤهل لترتيب المرافق حسب الضرورة. قد يؤدي عدم القيام بذلك إلى حدوث صدمة كهربائية أو نشوب حريق أو مشاكل بالمنتج أو حدوث إصابة.
- المنتج مصمم للاستخدام في مناطق تحت مستوى سطح البحر 2000 متر.
- تحقق من عدم وجود أي ضرر في المنتج قبل تثبيته. لا توصل الجهاز بالكهرباء إذا كان متضرراً.
- استخدم دائماً معدات الحماية الشخصية (القفازات، إلخ) أثناء تركيب المنتج وصيانته وإصلاحه. خطر حدوث إصابات!

- يجب ألا يتعرض مكان تركيب المنتج لأشعة الشمس المباشرة، كما يجب ألا يكون بالقرب من مصدر حرارة مثل المواقد والرادياتير وما إلى ذلك، وإذا لم تتمكن من منع تركيب المنتج بالقرب من مصدر الحرارة، فاستخدم لوح عزل مناسب وتأكد من أن الحد الأدنى للمسافة إلى مصدر الحرارة كما هو محدد أدناه:
- - على بعد 30 سم على الأقل من مصادر الحرارة مثل المواقد والأفران ووحدات التسخين والسخانات وما إلى ذلك،
- - وعلى بعد 5 سم على الأقل من الأفران الكهربائية.
- منتجك من فئة الحماية الأولى.
- قم بتوصيل المنتج بمقبس مؤرض يتوافق مع قيم الجهد والتيار والتردد المحددة في ملصق النوع. يجب أن يحتوي المقبس على فتيل 10 أمبير - 16 أمبير. لا تتحمل شركتنا المسؤولية عن أية أضرار بسبب الاستعمال بدون تأريض أو بدون توصيل الطاقة طبقاً للأنظمة المحلية.
- يجب فصل كبل طاقة الجهاز أثناء التركيب. خلاف ذلك، قد يحدث خطر حدوث صدمة كهربائية وإصابة!
- لا تقم بتوصيل سلك الطاقة الخاص بالمنتج بمنافذ طاقة مفكوكة أو مخلوطة أو مكسورة أو متسخة أو زبينة قد تتعرض لخطر ملامسة الماء.
- قد ترتفع درجة حرارة هذه الأنواع من الوصلات وتتسبب في نشوب حريق.
- ضع سلك الطاقة وخرطوم المنتج (إن وجدت) بحيث لا تسبب خطر التعثر.
- قد يتسبب دخول الرطوبة أو السوائل إلى الأجزاء الكهربائية أو سلك الطاقة في حدوث قصر في الدائرة الكهربائية. بالتالي، لا تستخدم المنتج في البيئات الرطبة أو في المناطق التي قد تتأثر فيها المياه (مثل المرآب وغرفة الغسيل وما إلى ذلك) إذا كانت الثلجة مبللة بالمياه، أفضلهما واتصل بالخدمة المعتمدة.
- لا تقم بتوصيل تلاجتك بأجهزة توفير الطاقة. هذه الأنظمة ضارة بالمنتج.
- هناك خطر ملامسة الأجزاء الكهربائية عند إزالة غطاء اللوحة الإلكترونية والغطاء الخلفي للضاغط (إذا تم تركيبه). لا تقم بإزالة غطاء اللوحة الإلكترونية والغطاء الخلفي للضاغط (إذا تم تركيبه). هناك خطر حدوث صق كهربائي!

⚠️ ٦-١ السلامة التشغيلية

- لا تستخدم المذيبات الكيميائية على المنتج. تسبب هذه المواد خطر الانفجار.
- في حالة تعطل المنتج، أفضله ولا تشغله حتى يتم إصلاحه بواسطة الخدمة المعتمدة. فهناك خطر الصدمة الكهربائية!

- لا تضع مصدراً للهب (مثل الشموع والسجائر وما إلى ذلك) على المنتج أو بالقرب منه.
- لا تصعد على المنتج. هناك خطر السقوط والإصابة!
- لا تلتف أنابيب نظام التبريد باستخدام أدوات حادة وثاقبه. قد يتسبب سائل التبريد الذي قد يتم رشه في حالة ثقب أنابيب الغاز أو تمديدات الأنابيب أو غلاف السطح العلوي في حدوث تهيج للجلد وإصابات في العين.
- لا تضع وتشغل الأجهزة الكهربائية داخل الثلاجات / المجمد ما لم ينصح المصنع بذلك.
- لا تحشر أي جزء من يديك أو جسمك في الأجزاء المتحركة داخل المنتج. احرص على عدم انحسار أصابعك بين الثلاجة وبابها. كن حذراً أثناء فتح وإغلاق الباب إذا كان هناك أطفال بالجوار.
- لا تضع الثلجات أو مكعبات الثلج أو الأطعمة المجمدة في فمك بمجرد إخراجها من الفريزر. خطر حدوث عضة صقيع!
- لا تلمس الجدران الداخلية أو الأجزاء المعدنية من المجمد أو الأطعمة المحفوظة داخل المجمد ويداك مبتلة. خطر حدوث عضة صقيع!
- لا تضع علب الصودا أو العلب والزجاجات التي تحتوي على سوائل يمكن تجميدها في حجرة التجميد. قد تنفجر العلب أو الزجاجات. هناك خطر حدوث إصابة وأضرار مادية!
- لا تستخدم أو تضع مواداً حساسة ضد درجة الحرارة مثل البخاخات القابلة للاشتعال ، والأشياء القابلة للاشتعال ، والثلج الجاف أو غيرها من المواد الكيميائية في محيط الثلاجة. خطورة الحريق والانفجار!
- لا تخزن المواد القابلة للانفجار مثل علب الأيروسول التي تحتوي على مواد قابلة للاشتعال داخل المنتج.
- لا تضع العلب المحتوية على سوائل فوق المنتج بشكل مفتوح. قد يؤدي تناثر الماء على جزء كهربائي إلى حدوث صدمة كهربائية أو نشوب حريق.
- هذا المنتج غير مخصص لتخزين وتبريد الأدوية أو بلازما الدم أو المستحضرات المخبرية أو المواد والمنتجات المماثلة التي تخضع لتوجيه المنتجات الطبية.
- إذا تم استخدام المنتج لغرض غير الغرض المقصود منه ، فقد يتسبب ذلك في تلف المنتجات الموجودة بالداخل أو تدهور جودتها.
- إذا كانت نلاجتك مزودة بضوء أزرق ، فلا تنظر إلى هذا الضوء بالأجهزة البصرية. لا تحرق مباشرة في ضوء

3. قم بتهوية المنطقة التي وضع فيها المنتج. لا تستخدم مروحة.
4. قم بالاتصال بالخدمة المعتمدة.
- في حالة تلف المنتج ولاحظت تسرب الغاز، يرجى الابتعاد عن الغاز. قد يسبب الغاز قزمة الصقيع إذا لامس جلدك.
- قبل التخلص من المنتجات القديمة التي لا يجب استخدامها بعد الآن:
1. أفضل سلك الطاقة من مأخذ التيار.
 2. اقطع سلك الطاقة وقم بإزالته من الجهاز مع القابس.
 3. لا تقم بإزالة الرفوف والأدراج من المنتج لمنع الأطفال من الدخول إلى الجهاز.
 4. فك الأبواب
 5. قم بتخزين المنتج بحيث لا ينقلب.
 6. لا تسمح للأطفال بالعبث بالجهاز المفك.
- لا تتخلص من المنتج برميهِ في النار. خطر الانفجار!
 - إذا كان هناك قفل متوفر في باب المنتج، احفظ مفتاح القفل بعيداً عن متناول الأطفال.
- ! ٧-١ سلامة تخزين الطعام**
- يرجى الانتباه إلى التحذيرات التالية لتجنب تلف الطعام:
- قد يؤدي ترك الأبواب مفتوحة لفترة طويلة إلى ارتفاع درجة الحرارة داخل المنتج.
- الأشعة فوق البنفسجية LED لفترة طويلة. قد تسبب الأشعة فوق البنفسجية إجهاد العين.
- لا تملأ المنتج بمحتويات تزيد عن سعته. قد تحدث إصابات أو أضرار إذا سقطت محتويات الثلاجة عند فتح الباب. قد تحدث مشكلات مماثلة عند وضع شيء ما فوق المنتج.
 - تأكد من إزالة أي جليد أو ماء قد يكون سقط على الأرض لمنع الإصابات.
 - قم بتغيير أماكن الرفوف / أرفف الزجاجات على باب الثلاجة عندما تكون الأرفف فارغة فقط. خطر الإصابة!
 - لا تضع أشياء قد تسقط / تنقلب على المنتج. قد تسقط هذه الأشياء أثناء فتح الباب أو إغلاقه وتسبب إصابات و / أو أضرار مادية.
 - لا تضرب أو تمارس ضغطاً زائداً على الأسطح الزجاجية. قد يتسبب الزجاج المكسور في حدوث إصابات و / أو أضرار مادية.
 - يحتوي نظام التبريد في منتجك على مبرد R600a. يتم تحديد نوع مادة التبريد المستخدمة في المنتج في ملصق النوع. هذا الغاز سريع الاشتعال. لذلك احرص على عدم إتلاف نظام التبريد والأنابيب أثناء تشغيل المنتج. في حالة تلف الأنابيب ؛
1. لا تلمس المنتج أو سلك الطاقة،
 2. احتفظ بالمنتج بعيداً عن مصادر الحريق المحتملة التي قد تسبب في اشتعال المنتج.

- لا تضع يديك وما إلى ذلك تحت الثلجة. فقد يحدث سحق ليدك أو قد تتسبب أي حافة حادة في حدوث إصابات شخصية.
- لا تنظف المنتج عن طريق رش الماء أو سكب على المنتج وداخله. خطر حدوث صدمة كهربائية وحرق.
- عند تنظيف المنتج، لا تستخدم أدوات حادة وكاشطة أو مواد تنظيف منزلية، ومنظفات، وغاز، وبنزين، ومخفف الدهان، والكحول، والورنيش، والمواد المماثلة. استخدم فقط عوامل التنظيف والصيانة غير الضارة بالطعام داخل المنتج.
- لا تستخدم مواد التنظيف بالبخار أو البخار لتنظيف المنتج وإذابة الثلج بداخله. يلامس البخار المناطق الكهربائية في ثلاجتك ويسبب ماساً كهربائياً أو صدمة كهربائية!
- احرص على إبقاء الماء بعيداً عن فتحات التهوية والدوائر الإلكترونية أو إضاءة المنتج.
- استخدم قطعة قماش نظيفة وجافة لمسح الغبار أو المواد الغريبة على أطراف القوابس. لا تستخدم قطعة قماش رطبة أو مبللة لتنظيف القابس. خلاف ذلك، قد يحدث خطر نشوب حريق أو صدمة كهربائية.

- نظف بانتظام أنظمة الصرف التي يمكن الوصول إليها عند ملامستها للطعام.
- قم بتنظيف خزانات المياه التي لم يتم استخدامها لمدة 48 ساعة وأنظمة المياه التي يتم تغذيتها بالتيار الكهربائي والتي لم يتم استخدامها لأكثر من 5 أيام.
- قم بتخزين اللحوم النيئة ومنتجات الأسماك في أجزاء مناسبة داخل المنتج. بحيث لا تقطر أو تتلامس مع الأطعمة الأخرى.
- تُستخدم حجرات المجمد ذات النجمتين لتخزين الأطعمة المعبأة مسبقاً، وصنع وتخزين الثلج والآيس كريم.
- المقصورات ذات النجوم الواحدة والنجمة والثلاثة نجوم، غير مناسبة لتجميد الأطعمة الطازجة.
- إذا تم ترك منتج التبريد فارغاً لفترة طويلة، فقم بإيقاف تشغيل المنتج، وقم بإذابة المنتج وتنظيفه وتجفيفه من أجل حماية غلاف المنتج.

٨-١ ⚠️ سلامة الصيانة والتنظيف

- أفضل الثلجة قبل تنظيفها أو البدء في إجراء الصيانة.
- لا تسحب من مقبض الباب إذا كان عليك نقل المنتج لأغراض التنظيف. قد يتسبب المقبض في حدوث إصابات إذا تم سحبه بشدة.

يرجى الاستفسار من السلطات المحلية فيما يتعلق بمناطق التجميع هذه. يمكنك المساعدة في حماية البيئة والموارد الطبيعية من خلال تقديم المنتجات المستخدمة لإعادة التدوير.

١-٢ الامتثال للوائح AEEE والتخلص من النفايات

لا يحتوي هذا المنتج على مواد خطرة ومحظورة محددة في "لوائح التحكم في نفايات المعدات الكهربائية والإلكترونية" الصادرة عن وزارة البيئة والتخطيط العمراني التركية.

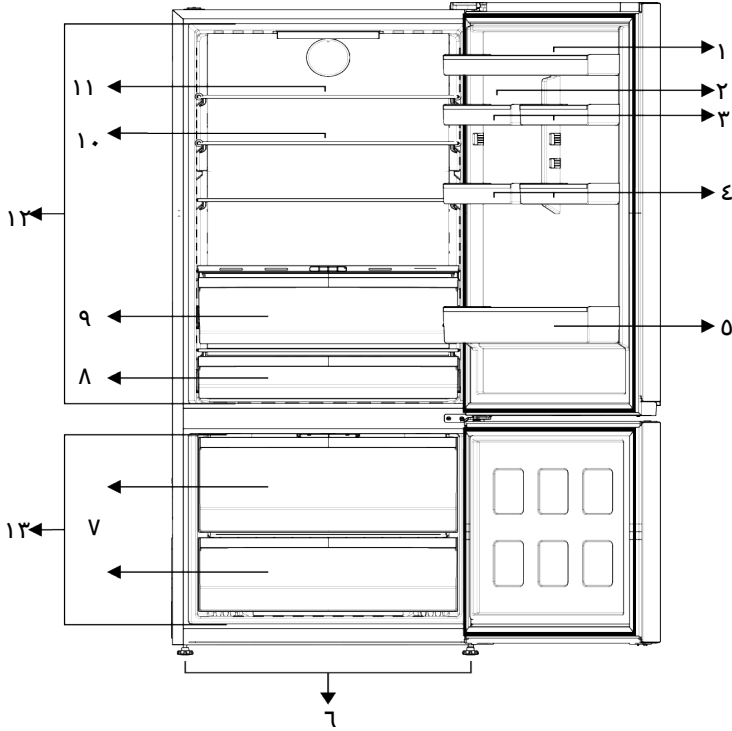
٢-٢ معلومات مواد التغليف

غلاف المنتج مصنوع من مواد قابلة للتدوير، طبقاً لأنظمة البيئة المحلية. لا تتخلص من نفايات التغليف مع النفايات المنزلية أو النفايات الأخرى، وتخلص منها في مناطق التجميع المحددة من قبل السلطات المحلية.



يتوافق مع لوائح نفايات المعدات الكهربائية والإلكترونية. تم تصنيع هذا المنتج من أجزاء ومواد عالية الجودة وقابلة لإعادة التدوير والاستخدام. لذلك، لا تتخلص من هذا المنتج مع النفايات المنزلية الأخرى في عمره الافتراضي. ضعه في نقطة تجميع للأجهزة الكهربائية والإلكترونية.





- | | |
|--------------------------------|---------------------------------|
| ٢ حامل البيض | ١ رفوف باب حجرة المبرد |
| ٤ *رفوف باب حجرة المبرد الصغير | ٣ *رفوف باب حجرة المبرد الصغير |
| ٦ الأرجل القابلة للتعديل | ٥ رف زجاجات |
| ٨ درج الألبان (التخزين البارد) | ٧ *أدرج مقصورة المجمد |
| ١٠ *الرفوف الزجاجية | ٩ رف الخضروات |
| ١٢ حجرة المبرد | ١١ *الرف الزجاجي للهيكل المتحرك |
| | ١٣ مقصورة المجمد |

***اختياري:** إن الأشكال المذكورة في دليل المستخدم هذا هي تخطيطه وقد لا تتطابق مع جهازك تماما. إذا كان جهازك لا يشتمل على الأجزاء ذات الصلة، فإن المعلومات تعود لموديلات أخرى.

المكان المناسب للتركيب

اقرأ قسم "تعليمات الأمان" أولاً!



لا يتحمل المصنع أية مسؤولية عن الأضرار
الناجمة عن الأعمال المنفذة بواسطة
أشخاص غير مرخصين.



يجب فصل كبل طاقة الجهاز أثناء التركيب.
قد يؤدي الإخفاق في ذلك إلى الموت أو
إصابات خطيرة!



إذا كان حجم الباب ضيقاً لدخول الجهاز، قم
بفك الباب وأدر الجهاز إلى جانبه؛ إذا لم
ينجح ذلك، اتصل بخدمة الصيانة المعتمدة.



- ضع الجهاز على سطح منبسط لتجنب الاهتزاز
- ضع الجهاز على بعد 30 سم على الأقل من
المدفأة والموقد مصادر الحرارة الأخرى و5 سم
على الأقل من الأفران الكهربائية.
- لا تعرّض الجهاز لأشعة الشمس المباشرة أو تبقيه
في أماكن رطبة.

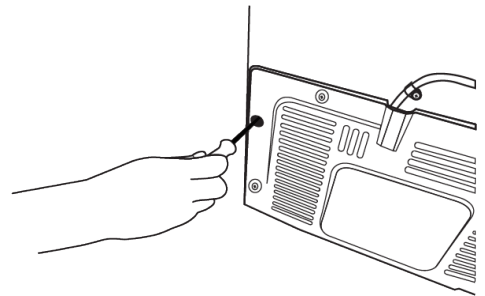
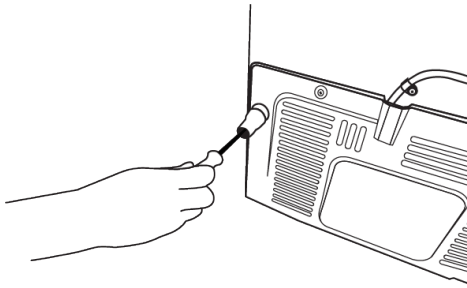
يتطلب المنتج الخاص بك توزيع الهواء بصورة كافية
حتى يعمل بكفاءة. إذا كنت ستضع الجهاز في
تجويف بالجدار، فتذكر ترك خلوص لا يقل عن 5 سم
بين الجهاز وكل من السقف والجدار الخلفي
والجدران الجانبية. تأكد أن مكوّن الحماية الخاص
بالخلوص بين الجهاز والجدار الخلفي موجود في
مكانه (إذا كان مزوداً مع المنتج). في حالة عدم توفر
المكون المشار إليه أعلاه، أو في حالة فقدانه أو
سقوطه، ضع الجهاز مع ترك خلوص لا يقل عن 5
سم بين السطح الخلفي للجهاز وجدار الغرفة.
الخلوص في خلفية الجهاز مهم لتشغيل الجهاز
بكفاءة.

لا تستخدم أدوات التطويل أو المقابس
المتعددة في توصيل الطاقة.



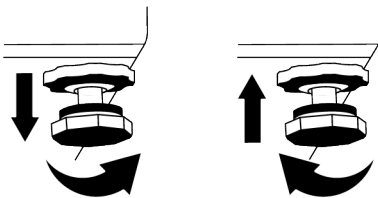
ثبيت الأوتاد البلاستيكية

استخدم الأوتاد البلاستيكية المزودة مع الجهاز لتوفير
مساحة كافية لتوزيع الهواء بين الجهاز والجدار.
• فك البراغي الموجودة على المنتج واستخدم
البراغي المزودة مع الأوتاد.




ضبط أقدام المنتج


إذا لم يكن المنتج في وضع متوازن، يمكنك ضبط
توازن المنتج عن طريق تدوير الحوامل في الأمام
يميناً أو يساراً.




- ركب وتدين على غطاء التهوية كما هو موضح في
الشكل.

- يجب أن يكون قابس كبل الطاقة سهل الوصول بعد التركيب.

 تحذير! سطح ساخن!
تم تجهيز الجدران الجانبية لمنتجك بأنايب تبريد لتعزيز نظام التبريد. قد يتدفق السائل ذو الضغط المرتفع عبر هذه الأسطح، ويسبب سخونة للأسطح على الجدران الجانبية. هذا أمر طبيعي ولا يتطلب صيانة. كن حذراً عند لمس هذه المناطق.

 تحذير: لا تستخدم أدوات التطويل أو المقابس المتعددة في توصيل الطاقة.

 تحذير: يجب استبدال كبل الطاقة التالف بواسطة خدمة الصيانة المعتمدة.


- لا تتحمل شركتنا المسؤولية عن أية أضرار بسبب الاستعمال بدون تأريض وتوصيل الطاقة طبقاً للأنظمة المحلية.

٥ الإعداد

- يجب تخزين الطعام باستخدام الأدراج في حجرة المبرد لضمان توفير الطاقة وحماية الطعام في ظروف أفضل.

 اقرأ قسم "تعليمات الأمان" أولاً!


١-٥ إجراءات توفير الطاقة


 يسبب توصيل الجهاز بنظام توفير الطاقة الإلكتروني أضراراً، فقد يتلف المنتج.


- جهاز التبريد هذا غير مخصص للاستخدام كجهاز مدمج؛
- لا تدع أبواب التلاجة مفتوحة لفترات طويلة.
- لا تضع الأطعمة أو المشروبات الساخنة في التلاجة.
- لا تضع كميات مفرطة في التلاجة؛ إن إعاقة تدفق الهواء الداخلي يقلل من قدرة التبريد.
- نظراً لأن الهواء الساخن والرطب لن يتغلغل بشكل مباشر في منتجك عند عدم فتح الأبواب، فإن منتجك سيحسن نفسه في ظروف كافية لحماية طعامك. في ظل هذه الظروف، ستعمل الوظائف والمكونات مثل الضاغط، والمروحة، والسخان، وخاصة إزالة الصقيع، والإضاءة، والشاشة، وما إلى ذلك، وفقاً للاحتياجات من خلال استهلاك الحد الأدنى من الطاقة.
- في حالة وجود خيارات متعددة، يجب وضع أرفف زجاجية بحيث لا يتم سد منافذ الهواء الموجودة في الجدار الخلفي، ويفضل بحيث تبقى منافذ الهواء أسفل الرف الزجاجي. قد يساعد هذا المزيج في تحسين توزيع الهواء وكفاءة الطاقة.
- يوصى بشدة باستخدام الدرج السفلي عند التخزين.

٢-٥ الاستخدام لأول مرة

- قبل استخدام تلاجتك، تأكد من إجراء الإعدادات الضرورية انسجاماً مع التعليمات المذكورة في أقسام "تعليمات السلامة والبيئة" و"التركيب".
- قم بتشغيل الجهاز دون وضع أي أطعمة داخله لمدة 6 ساعات مع عدم فتح الباب إلا للضرورة القصوى.
- قد يؤدي تغيير درجة الحرارة الناجم عن فتح وإغلاق الباب أثناء استخدام المنتج عادةً إلى تشكل تكاثف على أرفف الباب / الهيكل والأواني الزجاجية الموضوعة في المنتج.

 يمكن سماع صوت عندما يعمل الضاغط. من الطبيعي أن يُصدر المنتج ضوضاء حتى في حالة عدم تشغيل الضاغط، حيث قد يتم ضغط السوائل والغاز في نظام التبريد.

 ومن الطبيعي أن تكون الحواف الأمامية للتلاجة ساخنة. صُممت هذه الأجزاء لرفع درجة الحرارة لمنع التكاثف.

 في بعض الطرازات، تتوقف لوحة المؤشر عن العمل تلقائياً بعد مرور 1 دقائق على غلق الباب. سيتم إعادة تنشيطها مرة أخرى عند فتح الباب أو عند الضغط على أي زر.

٣-٥ فئة المناخ والتعاريف

- N: المناخ المعتدل: تم تصميم جهاز الجهاز هذا للاستخدام في درجات حرارة محيطية تتراوح بين 16 درجة مئوية و 32 درجة مئوية.
- ST: المناخ شبه الاستوائي: تم تصميم جهاز الجهاز هذا للاستخدام في درجات حرارة محيطية تتراوح بين 16 درجة مئوية و 38 درجة مئوية.
- T: المناخ الاستوائي: تم تصميم جهاز الجهاز هذا للاستخدام في درجات حرارة محيطية تتراوح بين 16 درجة مئوية و 43 درجة مئوية.

يرجى الرجوع الى فئة المناخ على لوحة التصنيف الخاصة بجهازك. تنطبق إحدى المعلومات التالية على جهازك وفقاً لفئة المناخ.

- SN: المناخ المعتدل على المدى الطويل: تم تصميم جهاز الجهاز هذا للاستخدام في درجات حرارة محيطية تتراوح بين 10 درجة مئوية و 32 درجة مئوية.

٦ تشغيل المنتج

- أغلق صمام المياه إذا كنت ستبقى بعيداً عن المنزل (على سبيل المثال في إجازة) ولن تستخدم صانعة الثلج أو موزع المياه لفترة طويلة من الوقت. خلاف ذلك ، قد يحدث تسرب للمياه.

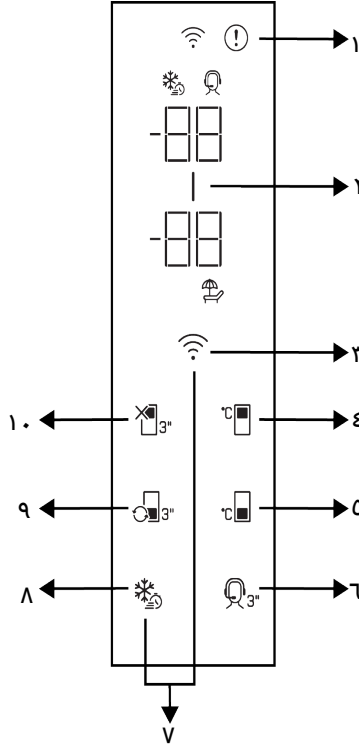
فصل قابس المنتج عن الكهرباء

- إذا كنت لن تستخدم المنتج لفترة طويلة، فافصل المنتج من المقبس.
- قم بإزالة الطعام لمنع الروائح،
- انتظر حتى يذوب الثلج، وقم بتنظيف الجزء الداخلي واتركه يجف، واترك الأبواب مفتوحة لتجنب إتلاف البلاستيك الداخلي للجسم.

اقرأ قسم "تعليمات الأمان" أولاً!



- لا تستخدم أي أدوات ميكانيكية أو أي أدوات أخرى لتسريع عملية الذوبان غير الأدوات التي توصي بها الشركة المصنعة.
- لا تستخدم أجزاء من نلاجتك مثل الباب أو الأدراج كداعم للإسناد أو الاستناد. قد يتسبب ذلك في انقلاب المنتج أو تلف مكوناته.
- يجب استخدام المنتج لتخزين المواد الغذائية فقط.



- | | |
|---|---|
| ٢ مؤشر توفير الطاقة (إيقاف الشاشة) | ١ مؤشر حالة الخطأ |
| ٤ مفتاح ضبط درجة حرارة حجرة المبرد | ٣ *مفتاح لاسلكي |
| ٦ مفتاح خدمة الدعم | ٥ مفتاح ضبط درجة حرارة مقصورة المُجمّد |
| ٨ *مفتاح التجميد السريع/مفتاح إعداد وظيفة ضوء المقبض | ٧ مفتاح لإعادة ضبط إعدادات الاتصال اللاسلكي |
| ١٠ مفتاح وظيفة إيقاف تشغيل مقصورة المبرد (وضع العطله) | ٩ مفتاح تحويل الحجرة |

1. مؤشر حالة العطل!

يكون هذا المؤشر نشطاً عندما يتعذر على ثلاجتك إجراء التبريد الكاف أو في حالة وجود أي خطأ في المستشعر. سيتم عرض "E" على مؤشر درجة حرارة مقصورة المجمد والأرقام مثل 1,2,3 ... سيتم عرضها على مؤشر درجة حرارة مقصورة المبرد. توفر هذه الرموز معلومات إلى الخدمة المعتمدة بشأن الخطأ الذي حدث.

اقرأ قسم "تعليمات الأمان" أولاً!



*اختياري: إن الوظائف المعروضة اختيارية، فقد توجد اختلافات في الشكل والموقع في الوظائف الموجودة على لوحة مؤشر جهازك. ستساعدك الوظائف الصوتية والبصرية للوحة المؤشرات على استخدام الثلاجة.

قد يتم عرض علامة التعجب لفترة من الوقت عند تحميل الطعام الدافئ في حجرة المجمد أو إبقاء الباب مفتوحاً لفترة طويلة من الوقت. هذا ليس خطأً، وسيزول هذا التحذير عند تبريد الطعام أو عند الضغط على أي مفتاح.

2. مؤشر توفير الطاقة (إيقاف الشاشة)

يتم تفعيل وظيفة توفير الطاقة تلقائياً ويضئ رمز توفير الطاقة عندما لا يتم فتح باب المنتج أو إغلاقه لمدة من الوقت. عندما تكون وظيفة توفير الطاقة نشطة، فسيتم إيقاف تشغيل جميع الرموز التي تظهر على الشاشة باستثناء رمز توفير الطاقة. عندما تكون وظيفة توفير الطاقة نشطة، إذا ضغطت على أي مفتاح أو فتحت باب المنتج، يتم إلغاء تنشيط وظيفة توفير الطاقة في التلاجة وتعود الرموز الموجودة على الشاشة إلى وضعها الطبيعي. وظيفة توفير الطاقة عبارة عن وظيفة يتم تنشيطها مسبقاً في المصنع ولا يمكن إلغاؤها.

3. *مفتاح لاسلكي

عند الضغط على المفتاح لفترة طويلة (3 ثوانٍ)، يومض رمز الاتصال اللاسلكي على الشاشة / الشاشة ببطء (بفواصل زمنية 0.5 ثانية). تتم تهيئة الشبكة المنزلية على المنتج بهذه الطريقة. بعد إجراء الاتصال اللاسلكي بالمنتج، يضيء رمز الاتصال اللاسلكي () باستمرار.

عند إنشاء الاتصال الأولي، يمكنك تنشيط / إلغاء تنشيط الاتصال بضغط قصيرة على هذا المفتاح. سيومض رمز الاتصال اللاسلكي بسرعة (كل 0.2 ثانية) حتى يتم إنشاء الاتصال. عندما يكون الاتصال نشطاً، سيضيء رمز الشبكة اللاسلكية باستمرار. إذا تعذر إنشاء الاتصال لفترة طويلة، فتتحقق من إعدادات الاتصال وارجع إلى قسم "استكشاف الأخطاء وإصلاحها" الموجود في دليل المستخدم. يجب استخدام تطبيق هوم ويز HomeWhiz للاتصال اللاسلكي. يتم وصف خطوات التثبيت على التطبيق أثناء التثبيت.

يمكنك الوصول إلى التطبيق من خلال قراءة رمز الاستجابة السريعة المتاح على ملصق هوم ويز HomeWhiz على المنتج. يتم تقديم التطبيق من خلال متجر App Store لأجهزة IOS، ومن خلال متجر Play لأجهزة Android.

قم بزيارة <https://www.homewhiz.com> للحصول على معلومات مفصلة.

4. مفتاح ضبط درجة حرارة حجرة المبرد

يسمح بضبط درجة حرارة حجرة المبرد. سيؤدي الضغط على هذا المفتاح إلى تمكين ضبط درجة حرارة حجرة المبرد على 8 و 7 و 6 و 5 و 4 و 3 و 2 و 1 درجة مئوية.

5. مفتاح ضبط درجة حرارة مقصورة المجمد

يتم ضبط درجة حرارة مقصورة المبرد. عند الضغط على المفتاح، يمكن ضبط درجة حرارة حجرة التجميد على قيم 18-، 19-، 20-، 21-، 22-، 23-، 24- درجة مئوية.

6. *مفتاح خدمة الدعم

اضغط على هذا الزر لمدة 3 ثوانٍ لتفعيل/إلغاء تفعيل خدمة الدعم. تم توفير معلومات مفصلة عن خدمة الدعم في قسم "ميزة خدمة الدعم".

7. مفتاح لإعادة ضبط إعدادات الاتصال اللاسلكي



لإعادة ضبط إعدادات الاتصال اللاسلكي، اضغط على التجميد السريع ومفاتيح الاتصال اللاسلكي في آن واحد لمدة 3 ثوانٍ. تتم إزالة جميع معلومات المستخدم التي تم تسجيلها مسبقاً على المنتج حيث تتم إعادة تعيين / استعادة إعدادات الاتصال اللاسلكي إلى إعدادات المصنع الافتراضية.

8. مفتاح التجميد السريع

عند الضغط على مفتاح التجميد السريع، يضيء مؤشر LED الموجود على المفتاح ويتم تنشيط وظيفة التجميد السريع. تم ضبط درجة حرارة حجرة الفريزر على -27 درجة مئوية. اضغط على المفتاح مرة أخرى لإلغاء تنشيط الوظيفة. سيتم إلغاء وظيفة التجميد السريع تلقائياً. لتجميد كمية كبيرة من الطعام الطازج، اضغط على زر التجميد السريع قبل وضع الطعام في مقصورة المجمد.

*مفتاح إعداد وظيفة ضوء المقبض

يمكن تبديل وظيفة ضوء المقبض بين الوضعين المفتوح والمغلق بالضغط على مفتاح التجميد السريع لمدة 3 ثوانٍ. في وضع الإغلاق، لا يُنشط ضوء المقبض سوى عند فتح باب الجهاز وينطفئ بعد فترة من إغلاق الباب. أما في وضع الفتح، فيُنشط ضوء المقبض عند فتح باب الجهاز ويظل مضيئاً بشكل

10. مفتاح وظيفة إيقاف تشغيل مقصورة المبرد

وضع العطلة) "3" 

اضغط على المفتاح لمدة 3 ثوان لتتشيط وضع العطلة. يتم تشيط وضع العطلة وبضوء رمز العطلة. يتم عرض "-" على مؤشر درجة حرارة حجيرة التبريد ولا تقوم حجيرة التبريد بالتبريد بشكل فعال.

ينبغي ألا تحتفظ بطعامك في حجيرة المبرد عند تشيط هذه الوظيفة. تستمر الحجرات الأخرى في التبريد وفقاً لدرجات الحرارة المضبوطة سلفاً. اضغط على المفتاح لمدة 3 ثوان مرة أخرى لإلغاء هذه الوظيفة.

خافت بعد فترة من إغلاق الباب. وتُصَبط وظيفة ضوء المقبض على وضع الإغلاق المضبوط مسبقاً بالمصنّع.

9. *مفتاح تحويل الحجيرة"3"

بالضغط على مفتاح تحويل الحجيرة لمدة 3 ثوان، تتحول حجيرة التجميد بين أوضاع التبريد، والإيقاف، والتجميد.

إذا تم تشغيله كحجيرة تبريد، فسيتم ضبط درجة حرارة الحجيرة على 4 درجات مئوية. في وضع إيقاف التشغيل، يجب أن يعرض مؤشر درجة حرارة المقصورة "-"."

٨ استخدام المنتج

تخزين الأطعمة المباعة مجمدة

- اتبع دائماً تعليمات المنتج فيما يتعلق بالوقت الذي يُطلب منك خلاله تخزين الأطعمة الخاصة بك. لا تفرط في الوقت المحدد في هذه التعليمات!
- من أجل حماية جودة الطعام، حافظ على الفاصل الزمني بين معاملة الشراء والتخزين قصيراً قدر الإمكان.
- اشترى الأطعمة المجمدة التي يتم تخزينها في -18 درجة مئوية أو درجات حرارة منخفضة.
- تجنب شراء الأطعمة التي تكون عبواتها مغطاة بالتلج وما إلى ذلك. وهذا يعني أنه يمكن إذابة المنتج جزئياً وإعادة تجميده. تؤثر درجة الحرارة على جودة الطعام.
- لا تفرط في وقت التخزين الذي أوصى به منتج الطعام. قم بإزالة الطعام بالقدر الذي تحتاجه فقط من المجمد.
- باستثناء الحالات التي تتوفر فيها ظروف بيئية شديدة، إذا تم ضبط منتجك (في جدول القيم المحددة الموصى بها) على القيم المحددة المحددة، فإن الطعام يحافظ على نضارته لفترة أطول في كل من حجيرة المنتج الطازج ومقصورة المجمد.
- إذا تم ضبط حجيرة الطعام الطازج على درجة حرارة منخفضة، فقد يتم تجميد الفواكه والخضروات الطازجة جزئياً.

اقرأ قسم "تعليمات الأمان" أولاً!



١-٨ تخزين الطعام في حجيرة المجمد والمبرد

تخزين الطعام في مقصورة المجمد

- يمكنك تشيط وظيفة التجميد السريع قبل 4-6 ساعات من وظيفة التجميد وإجراء تبريد أسرع.
- ضع الوجبات الساخنة في درجة حرارة الغرفة قبل وضعها في مقصورة المجمد.
- يجب تقسيم الأطعمة المراد تجميدها إلى حصص حسب الكمية المراد استهلاكها، مع تجميدها في عبوات منفصلة.
- يوصى بتعبئة الأطعمة قبل وضعها في المجمد.
- من أجل منع انتهاء صلاحية وقت التخزين، اكتب تاريخ التجميد ووقته واسم المنتج على العبوة وفقاً لأوقات تخزين الأطعمة المختلفة.
- استهلك الأطعمة التي قمت بإذابتها بسرعة. لا يمكن تجميد الأطعمة التي تم إذابتها مرة أخرى إلا إذا تم طهيها. ليس من الآمن تناول الأطعمة الطازجة المجمدة دون طهيها بعد إذابتها.
- أثناء تجميد الأطعمة الطازجة، لا تجعلها تلامس مع الأطعمة المجمدة بالفعل. بخلاف ذلك، سيتم إذابة الأطعمة المجمدة.

إعداد مقصورة المجمد	ضبط مقصورة المبرد	الملاحظات
18°C-	4°C	هذا هو الإعداد الافتراضي المفضل. يوصى بهذا الإعداد إذا كانت درجة الحرارة المحيطة أقل من 30 درجة مئوية.
20-، أو 22- أو 24- درجة مئوية	4°C	يوصى بهذه الإعدادات لدرجات الحرارة التي تتعدى 30 مئوية.
التجميد السريع	4°C	استخدمه عندما نود تجميد طعامك خلال زمن قصير. عندما تنتهي العملية، ستعود إعدادات المنتج إلى الوضع السابق.
18- مئوية أو أقل	2°C	استخدم هذه الإعدادات إذا كنت تعتقد أن حجرة المبرد ليست باردة بما يكفي بسبب درجة حرارة المحيط أو فتح الباب بشكل متكرر.

التجميد السريع

أرفف حجرة المبرد: أصناف الطعام داخل القدر، الأطباق المغطاة والعلب المغطاة، البيض (في علبة مغطاة)

أرفف باب حجرة المبرد: المأكولات والمشروبات الصغيرة والمغلقة

درج الخضروات: الخضروات والفواكه

حجرة الطعام الطازج: الأطعمة اليومية (طعام الإفطار، اللحوم التي تستهلك خلال فترة قصيرة)

1. نشط وظيفة التجميد السريع قبل 24 ساعة من وضع أطعمتك الطازجة.
2. بعد 24 ساعة من الضغط على الزر، ضع طعامك الذي تريد تجميده على الرف الثاني بسعة تجميد أعلى.
3. سيتم إلغاء تنشيط وظيفة التجميد السريع تلقائيًا بعد 48 ساعة.

تفاصيل المجمد

- تخزين الطعام في مقصورة المبرد**
- ترتفع درجات حرارة المقصورة بشكل بارز إذا تم فتح باب الحجرة وإغلاقه بشكل متكرر وظل مفتوحًا لفترة طويلة، فقد يؤدي ذلك إلى تقليل العمر الافتراضي للطعام وتلف الطعام.
 - من أجل عدم إحداث تغييرات في الرائحة والذائق، يجب تخزين الطعام في عبوات مغلقة.
 - لا تخزن الكثير من الطعام الزائد في ثلاجتك. لتحقيق تبريد أفضل ومتجانس، ضع الطعام بشكل منفصل بحيث يمكن للهواء البارد أن يتجول فيه.
 - قم بتوفير تدفق الهواء من خلال ترك مسافة بين الطعام والجدار الداخلي. إذا قمت بوضع الطعام على الحائط الخلفي، فقد يتجمد الطعام.
 - أترك الوجبات الساخنة المطبوخة حتى تصل إلى درجة حرارة الغرفة قبل وضعها في الثلاجة. بعد ذلك، يمكنك وضع الوجبة الفاترة في الأرفف السفلية للثلاجة. لا تضع الوجبات الفاترة بالقرب من الأطعمة التي قد تفسد بسهولة.
 - قم بإذابة طعامك المجمد في حجرة الطعام الطازج. وبالتالي، يمكنك تبريد حجرة الطعام الطازج باستخدام الأطعمة المجمدة وتوفير الطاقة.
 - قد يؤدي تخزين الفواكه الاستوائية غير الناضجة (المانجو، وأصناف البطيخ، والبابايا، والموز، والأناناس) في الثلاجة إلى تسريع عملية النضج.

وفقًا لمعايير IEC 62552، يجب أن يتمتع المجمد بالقدرة على تجميد 4.5 كجم من المواد الغذائية عند 18- درجة مئوية أو درجات حرارة منخفضة عند درجة حرارة الغرفة 25 درجة مئوية خلال 24 ساعة لكل 100 لتر من حجم حجرة التجميد.

يمكن الاحتفاظ بالأطعمة لفترات طويلة عند درجة حرارة 18- أو أقل.

يمكنك المحافظة على نضارة الأطعمة لعدة أشهر (في المجمد أو تحت درجة - 18 مئوية).

يجب أن لا تتلامس الأطعمة المراد تجميدها مع الأطعمة المجمدة سلفًا في الداخل لتجنب الذوبان الجزئي.

اسلق الخضار ونقى الماء لإطالة زمن تخزين المجمدات. ضع الطعام في أغلفة مانعة للهواء بعد التنقية وخنزها في المجمد. يجب عدم تجميد الموز، الطماطم، الخس، الكرفس، البيض المسلووق، البطاطا والأطعمة المماثلة. في حالة تجميد هذه الأطعمة، ستأثر القيم الغذائية ونوعية الأكل سلبيًا فقط. والتعفن الذي من شأنه أن يهدد صحة الإنسان ليس موضع تساؤل.

وضع الطعام

أرفف مقصورة المجمد: الأصناف المجمدة المختلفة بما يشمل اللحم، السمك، الأيس كريم، الخضار، الخ.

- يجب تخزين البصل والثوم والأصابع والخضروات الجذرية الأخرى في ظروف الغرفة المظلمة والباردة، وليس في الثلاجة.
- إذا لاحظت تلف الطعام في الثلاجة، فتخلص من هذا الطعام ونظف الملحقات التي لامست الطعام.
- من أجل تبريد وجبات الطعام مثل الحساء واليخنات، والتي يتم طهيها في القدور الكبيرة، يمكنك بسرعة وضعها في الثلاجة عن طريق فصلها في أوانها الضحلة.
- لا تضع الأطعمة غير المعبأة بالقرب من البيض.
- احتفظ بالفواكه والخضروات بشكل منفصل وقم بتخزين كل نوع معاً (على سبيل المثال، تفاح مع تفاح وجزر مع جزر)
- أخرج الخضروات من الكيس البلاستيكي وضعها في الثلاجة بعد لفها بمنشفة ورقية أو قطعة قماش تجفيف. إذا قمت بغسل هذا النوع من الطعام قبل وضعه في الثلاجة، فتذكر أن تجففهم.
- يمكنك إنشاء بيئة رطبة وتوفير تدفق للهواء عن طريق الاحتفاظ بالفواكه والخضروات المعرضة للجفاف في الأكياس البلاستيكية المثقبة أو غير المغلقة.
- باستثناء الحالات التي تتوفر فيها ظروف بيئية شديدة، إذا تم ضبط منتجك (في جدول القيم المحددة الموصى بها) على القيم المحددة المحددة، فإن الطعام يحافظ على نضارته لفترة أطول في كل من حجرة المنتج الطازج ومقصورة المجمد.

تخزين المواد الغذائية المختلفة في أماكن مختلفة حسب خصائصها.

الموقع	الطعام
أرفف الباب	البيض
إذا كانت متوفرة، حجرة الدرجة الصفر (لطعام الإفطار)	منتجات الألبان (الزبدة والجبن)
حجرة الفواكه والخضروات أو درج الخضروات أو مقصورة EverFresh+ (إذا وجدت)	الفواكه والخضروات والنباتات الخضراء
إذا كانت متوفرة، حجرة الدرجة الصفر (لطعام الإفطار)	اللحوم الطازجة والدواجن والأسماك والتفاح وما إلى ذلك الأطعمة المطبوخة
الأرفف العلوية أو رف الباب	الأطعمة الجاهزة للتقديم والمنتجات المعبأة والأطعمة المعلبة والمخللات
أرفف الباب	المشروبات والزجاجات والتوابل والوجبات الخفيفة

مرئية (وميض صوتي). إذا أغلقت باب الجهاز أو ضغطت على أي زر على شاشة الجهاز، إن وجدت، فسيوقف صوت التحذير.

النسخة 2:

يتم إصدار تحذير فتح الباب، إذا ظل باب الجهاز مفتوحاً لفترة زمنية معينة (بين 60 ثانية و 120 ثانية). يُطلق تحذير فتح الباب تدريجياً. أولاً، يبدأ صوت تحذير مسموع. بعد 4 دقائق، إذا كان الباب لا يزال مفتوحاً، يتم تنشيط تحذير مرئي (وميض صوتي). سيتأخر تحذير فتح الباب لفترة زمنية معينة (بين 60 ثانية و 120 ثانية) عند الضغط على أي مفتاح على شاشة المنتج، إن وجدت. ثم ستبدأ العملية مرة أخرى. سيتم إيقاف تحذير فتح الباب بمجرد إغلاق باب الجهاز.

٢-٨ استبدال مصباح الإضاءة

اتصل بالخدمة المعتمدة عند الرغبة في استبدال المصباح / LED المستخدم للإضاءة في ثلاجتك. لا يمكن استخدام المصباح (المصابيح) المستخدمة في هذا الجهاز لإضاءة المنزل. الغرض من استخدام هذا المصباح هو مساعدة المستخدم على وضع الطعام في الثلاجة / المجمد بأمان وراحة.

٣-٨ تحذير فتح الباب

قد يختلف نظام تحذير فتح الباب في ثلاجتك تبعاً للطراز.

النسخة 1:

إذا ظل باب المنتج مفتوحاً لفترة معينة (بين 60 ثانية و 120 ثانية)، تصدر إشارة تحذير صوتية، اعتماداً على طراز المنتج، يمكن أيضاً عرض إشارة تحذير

٩ مواصفات المنتج

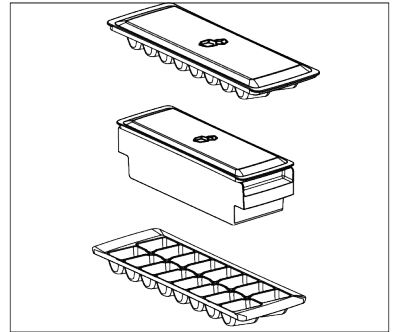
١-٩ منطقة تخزين الثلج

حماية الثلج

تسمح لك علبة الثلج بأخذ الثلج من الثلاجة بسهولة.

استخدام علبة الثلج

1. أخرج علبة الثلج من مقصورة المجمد.
2. املاً العلبة بالماء.
3. ضع علبة الثلج في حجرة المجمد. سيكون الثلج جاهزاً بعد ساعتين تقريباً.
4. أخرج علبة الثلج من حجرة المجمد وقم بإمالتها قليلاً فوق الحامل الذي ستستخدمه للتقديم. سيسكب الثلج بسهولة في حامل التقديم.



٢-٩ رف الخضروات

تم تصميم درج خضار الثلاجة للحفاظ على الخضار طازجة من خلال المحافظة على الرطوبة. لهذه الغاية، يتم تكثيف التوزيع الكلي للماء البارد في درج الخضار. احتفظ بالفواكه والخضار في هذه الحجرة. احتفظ بالخضروات ذات الأوراق والخضراء والفواكه بشكل منفصل لإطالة عمرها.

٣-٩ تقنيات درج الخضروات

الضوء الأزرق

فإن الفاكهة والخضروات التي يتم تخزينها في الأقسام المخصصة لها في الثلاجة، وهي الأقسام المضادة بالضوء الأزرق، تستمر في عملية التمثيل الضوئي بفضل تأثير طول موجة الضوء الأزرق، ومن ثم فإنها تحتفظ بالفيتامينات التي تحتوي عليها.

يمكن عكس جانب فتح باب الثلاجة وفقاً للمكان الذي تضعه فيه. عندما تحتاج إلى هذا، يجب عليك بالتأكد الاتصال بأقرب خدمة معتمدة.

VitaminZone

فإن الفاكهة والخضروات التي يتم تخزينها في الأقسام المخصصة لها في الثلاجة، والتي تتم إضاءتها بتقنية VitaminZone، تحتفظ بفيتاميناتها لمدة أطول بفضل دورات الأضواء الزرقاء والخضراء والحمراء والظلام، التي تحاكي دورة اليوم الكامل. عندما يتم فتح باب ثلاجتك خلال الفترة المظلمة لتقنية الحصاد الطازج VitaminZone، ستشعر الثلاجة بذلك تلقائياً وتضيء درج الثلاجة بأحد الأضواء الزرقاء أو الخضراء أو الحمراء على التوالي لضمان راحتك. بعد أن تغلق باب الثلاجة، سوف تستمر فترة الظلام، لتكون بمثابة الفترة الليلية من دورة اليوم.

٤-٩ AeroFresh

هو نظام توزيع الهواء الذي يوفر توزيعاً متجانساً لدرجة الحرارة. فمع دوران الهواء، يتم ضمان التوزيع المتجانس لدرجة الحرارة في حجرة تخزين الطعام الطازج، ويتم الحفاظ على تقلبات درجات الحرارة عند مستويات منخفضة. ولا يحدث هبوب مباشر للهواء فوق الطعام مما يساعد على تقليل فقد الرطوبة. ويحافظ على نضارة الطعام المخزن في حجرة الطعام الطازج بالثلاجة. بهذه الطريقة، يتم تخزين طعامك في درجات حرارة أكثر استقراراً وتقليل التلامس مع الهواء. يمنع تجفيف الأطعمة وانكماشها بفقدان الرطوبة وتوفير نضارة لفترة أطول.

٥-٩ درج التحكم في الرطوبة

Full fresh

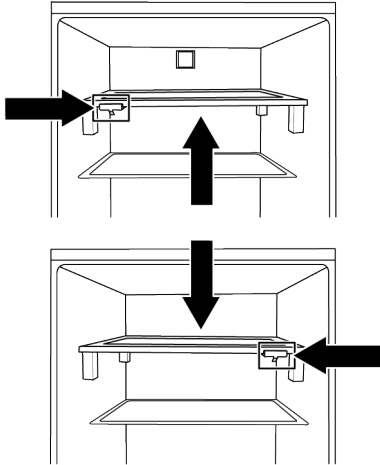
مع درج الخضروات المتحكم في الرطوبة، يمكنك تخزين الخضار والفواكه لفترة أطول في بيئة ذات ظروف رطوبة مثالية.

مع نظام ضبط الرطوبة الذي يحتوي على 3 خيارات والذي يوجد أمام درج الخضروات، يمكنك التحكم في الرطوبة داخل الحجرة وفقاً للطعام الذي تخزنه. نوصيك بتخزين طعامك عن طريق تحديد خيار

عندما تريد وضع منتج أكبر من الحجم بين الرفين في الثلاجة، فإن تحويل رف الجسم المتحرك يدويًا إلى اليمين عن طريق الإمساك به من المقبض الموضح في الصورة سيسمح لك بتحريك الرف لأعلى. بتحريك قطعة المقبض إلى اليمين، يمكنك زيادة رف الهيكل اليدوي بحد أقصى 45 مم.

يمكن تحريك رف الجسم المتحرك يدويًا عند وجود حمولة قصوى تبلغ 10 كجم عليه.

في حالة تحميل أكثر من 10 كجم، يجب استخدامه كرف ثابت، على غرار أرفف الهيكل الأخرى. في هذه الحالة، إذا كان من الضروري تعديل ارتفاع الرف، يرجى أخذ الطعام من الرف، وتعديل موضع الرف حسب الرغبة ثم تحميل طعامك. يتم تحديد الحد الأقصى للحمل الذي يمكن أن يحمله الرف في حالة ثابتة على نحو 40 كجم.



الخضار عند تخزين الخضار فقط ، وخيار الفاكهة عند تخزين الفاكهة فقط وخيار مختلط عند تخزين الأطعمة المختلطة.

نوصي بعدم تخزين الخضار والفاكهة في أكياس لتحسين فترة تخزين الطعام وللإستفادة بشكل أفضل من نظام التحكم في الرطوبة. يؤدي تركها في أكياس بلاستيكية إلى تعفن الخضار في وقت قصير. نوصي على وجه الخصوص بعدم تخزين الخيار والقرنبيط في أكياس مغلقة. في الحالات التي لا يفضل فيها تماس خضراوات بالخضراوات الأخرى ، استخدم مواد التعبئة والتغليف مثل الورق الذي يحتوي على مستوى معين من المسامية بحيث يضمن النظافة.

عند وضع الخضار ، ضع الخضار الثقيلة والقاسية في الأسفل ، والخضار الخفيفة والطرية في الأعلى ، مع مراعاة أوزان الخضار الخاصة.

لا تضع الفواكه التي تحتوي على نسبة عالية من إنتاج غاز الإيثيلين مثل الكمثرى والمشمش والخوخ وخاصة التفاح في نفس درج الخضراوات والفاكهة الأخرى. قد يتسبب غاز الإيثيلين الخارج من هذه الفاكهة في نضوج الخضراوات والفاكهة الأخرى بشكل أسرع وتعفنها في فترة زمنية أقصر.

٦-٩ رف الهيكل المتحرك

رف الهيكل المتحرك يدويًا هو أحد التطبيقات التي تتيح الاستخدام المرن لحجم الرف في الثلاجة.

١٠ الصيانة والتنظيف

- يجب إزالة الغبار من شبكة التهوية الموجودة في الجزء الخلفي من المنتج مرة واحدة في السنة على الأقل (بدون فتح الغطاء). نظف المنتج بقطعة قماش جافة
- احرص على إبعاد الماء عن غطاء المصباح والأجزاء الكهربائية الأخرى.
- نظف الباب بقطعة قماش رطبة. قم بإزالة جميع المحتويات لإزالة الباب ورفوف الهيكل. قم بإزالة رفوف الباب برفعها لأعلى. نظف الرفوف وجففها، ثم ركبها في مكانها ثانية بتمريرها من الأعلى.

تحذير: اقرأ قسم "تعليمات الأمان" أولاً!

تحذير: أفضل التلاجة قبل تنظيفها.

- لا تستخدم أدوات حادة أو كاشطة لتنظيف المنتج.
- لا تستخدم مواد مثل مواد التنظيف المنزلية والصابون والمنظفات والغاز والبنزين والكحول والشمع وما إلى ذلك.

الأسطح الخارجية من الفولاذ المقاوم للصدأ

استخدم مادة تنظيف غير كاشطة مصنوعة من الفولاذ المقاوم للصدأ وقم بتطبيقها بقطعة قماش ناعمة وخالية من النسالة. للتلميع، امسح السطح برفق بقطعة قماش من الألياف الدقيقة مبللة بالماء واستخدم قطعة قماش شمواه جافة للتلميع. اتبع دائماً اتجاه عروق الفولاذ المقاوم للصدأ.

منع الروائح

- تم تصنيع المنتج من مواد خالية من الروائح. إلا أن الاحتفاظ بالطعام في أقسام غير ملاءمة وتنظيف الأسطح الداخلية بطريقة خاطئة قد يتسبب بالروائح.
- لتجنب ذلك، نظف الجزء الداخلي بماء مكرين كل 15 يوماً.
- احتفظ بالأطعمة في حوامل مغلقة، لأن الكائنات الحية الدقيقة الناتجة عن الأطعمة المحفوظة في عبوات غير محكمة الغلق تسبب رائحة كريهة.
- لا تترك الأطعمة التالفة ومنتهاية الصلاحية في الثلاجة.

النشا هو أحد أكثر مزيلات الروائح فعالية. صنع لب النشا المخمر في المنتج داخل وعاء مفتوح وقم بإزالته بعد 12 ساعة على أبعد تقدير. إذا احتفظت لب النشا داخل المنتج لمدة تزيد عن 12 ساعة، فسوف يجمع الكائنات الحية التي تسبب الرائحة ويصبح بنفسه مصدر الرائحة.



حماية الأسطح البلاستيكية

قد يتلف الزيت المنسكب على الأسطح البلاستيكية السطح، لذا يجب تنظيفه بالماء الساخن فوراً.

- لا تستخدم الماء المحتوي على الكلور أو منتجات التنظيف على السطح الخارجي والأجزاء المطلوبة بالكروم من الجهاز. يسبب الكلور الصدأ على هذه الأسطح المعدنية.
- لا تستخدم الأدوات الحادة والكاشطة والصابون ومواد تنظيف المنزل والمنظفات والغاز والبنزين والورنيش والمواد المماثلة لمنع تشوه الجزء البلاستيكي وإزالة المطبوعات الموجودة عليه.
- استخدم الماء الدافئ وقماشة ناعمة للتنظيف ثم جفف الجهاز.
- بالنسبة للمنتجات التي لا تحتوي على ميزة تبريد مضاد للصقيع No-Frost، قد تظهر قطرات الماء وتلج بسلك الإصبع على الجدار الخلفي لمقصورة المجمد. لا تنظف، ولا تستخدم الزيت أو المواد الشاهبة.
- استخدم قطعة قماش من الألياف الدقيقة مبللة قليلاً لتنظيف السطح الخارجي للمنتج. قد تسبب الإسفنج وأنواع تنظيف الملابس الأخرى خدوشاً.
- لتنظيف جميع المكونات القابلة للإزالة أثناء تنظيف السطح الداخلي للمنتج، اغسل هذه المكونات بمحلول معتدل يتكون من الصابون والماء والكربونات. اشطفه وجففه كلياً. امنع ملامسة الماء لمكونات الإضاءة ولوحة التحكم.

تنبيه:



لا تستخدم الخل أو الكحول المحمر أو مواد التنظيف الأخرى التي تحتوي على الكحول على أي سطح داخلي.

11 استكشاف الأخطاء وإصلاحها

هناك تكاثف على جانب جدار حجرة المبرد (المنطقة المتعددة، منطقة التبريد، التحكم والمنطقة المرنة).

- يتم فتح الباب بشكل متكرر. <<< احرص على عدم فتح باب المنتج كثيراً.
- المكان رطب جداً. <<< لا تضع الجهاز في أماكن رطبة.
- الأطعمة المحتوية على سوائل تحفظ في مستوعبات غير محكمة الإغلاق. <<< احتفظ بالأطعمة المحتوية على سوائل في مستوعبات محكمة الإغلاق.
- ترك الباب مفتوحاً. <<< لا تدع أبواب الثلاجة مفتوحة لفترات طويلة.

تحقق من هذه القائمة قبل الاتصال بمركز الصيانة. من شأن ذلك توفير الوقت والمال. تتضمن هذه القائمة الشكاوى غير المرتبطة بعيوب الصناعة أو المواد. وقد لا تنطبق سمات معينة مذكورة هنا على جهازك.

الثلاجة لا تعمل.

- قابس الطاقة غير مستقر كلياً. <<< ادفعه بحيث يستقر في المقبس كلياً.
- الصمام الموصول بالمقبس الذي يزود الجهاز بالطاقة أو الصمام الرئيسي تالف. <<< افحص الصمام.

• ربما يكون الجهاز مضبوط على درجة حرارة متدنية جدا. <<< اضبط درجة الحرارة على درجة أعلى وانتظر حتى يصل الجهاز إلى درجة الحرارة المرغوبة.

• ربما تكون فلكة باب المبرد أو المجمد متسخة، أو مهترنة أو مكسورة أو غير مستقرة. <<< نظف أو استبدل مانع التسرب. تتسبب فلكة الباب الثالثة/ المهترنة في عمل الجهاز لفترات طويلة للحفاظ على درجة الحرارة الحالية.

درجة حرارة المجمد منخفضة جدا، لكن درجة حرارة المبرد ملائمة.

• تم ضبط درجة حرارة مقصورة المجمد على درجة متدنية جدا. <<< اضبط درجة حرارة مقصورة المجمد على درجة أعلى وافحص مرة أخرى.

درجة حرارة المبرد منخفضة جدا، لكن درجة حرارة المجمد ملائمة.

• تم ضبط درجة حرارة حجرة المبرد على درجة متدنية جدا. <<< اضبط درجة حرارة حجرة المبرد على درجة أعلى وافحص مرة أخرى.

الأظعمة المحفوظة في جوارير حجرة المبرد متجمدة.

• تم ضبط درجة حرارة حجرة المبرد على درجة متدنية جدا. <<< اضبط درجة حرارة حجرة المبرد على درجة أعلى وافحص مرة أخرى.

درجة الحرارة في المبرد أو المجمد عالية جدا.

• تم ضبط درجة حرارة حجرة المبرد على درجة عالية جدا. <<< يؤثر إعداد درجة حرارة حجرة المبرد على درجة حرارة مقصورة المجمد. انتظر حتى تصل الأجزاء ذات الصلة إلى مستوى درجة الحرارة المرغوبة عبر تغيير درجة حرارة مقصورة المجمد أو المبرد.

• تم فتح الأبواب كثيرا أو تركت مفتوحة لفترات طويلة. <<< لا تفتح الأبواب كثيرا.

• ربما يكون الباب مواربا. <<< أغلق الباب كليا.

• ربما تم توصيل الجهاز بالكهرباء مؤخرا أو تم وضع صنف طعام جديد داخله. <<< هذا أمر طبيعي.

• يستغرق الجهاز فترة أطول لبلوغ درجة الحرارة المعينة عند توصيله بالكهرباء حديثا أو عند وضع صنف طعام جديد داخله.

• تم ضبط منظم الحرارة على درجة حرارة باردة جدا. <<< اضبط الثرموستات على درجة حرارة مناسبة.

الضاغط لا يعمل.

• في حال حدوث انقطاع مفاجئ في التيار الكهربائي أو سحب قابس الطاقة وإعادته مرة أخرى، يصبح ضغط الغاز في نظام تبريد الجهاز غير متوازن، مما يفعل الواقي الحراري للضاغط. يعمل المنتج من جديد بعد 6 دقائق تقريبا. إذا لم يعمل الجهاز بعد هذه الفترة، اتصل بمركز الصيانة.

• إزالة الجليد غير نشطة. <<< هذا أمر طبيعي في جهاز مقاوم للصقيع تلقائيا. تتم إزالة الجليد دوريا.

• الجهاز غير موصول بالكهرباء. <<< تأكد أن سلك الطاقة موصول بالكهرباء.

• إعداد درجة الحرارة غير صحيح. <<< اختر إعدادا صحيحا لدرجة الحرارة.

• لا يوجد تيار كهربائي. <<< يستمر الجهاز بالعمل بشكل طبيعي حال عودة الطاقة.

يزداد ضجيج تشغيل التلاجة أثناء الاستعمال.

• وقد يتباين أداء عمل الجهاز بناء على تغيرات درجة حرارة المكان. هذا أمر طبيعي ولا يعتبر عطلا.

تعمل التلاجة لفترة زمنية طويلة.

• ربما يكون المنتج الجديد أكبر من المنتج السابق. تعمل الأجهزة الأكبر فترات زمنية أطول.

• ربما تكون درجة حرارة الغرفة عالية. <<< يعمل الجهاز فترات طويلة في درجات الحرارة العالية.

• ربما تم توصيل الجهاز بالكهرباء مؤخرا أو تم وضع صنف طعام جديد داخله. <<< يستغرق الجهاز فترة أطول لبلوغ درجة الحرارة المعينة عند توصيله بالكهرباء حديثا أو عند وضع صنف طعام جديد داخله. هذا أمر طبيعي.

• ربما تم وضع كميات كبيرة من الطعام الساخن في الجهاز مؤخرا. <<< لا تضع الطعام الساخن داخل الجهاز.

• تم فتح الأبواب كثيرا أو تركت مفتوحة لفترات طويلة. <<< يتسبب الهواء الساخن المتحرك في الداخل في عمل الجهاز فترة أطول. لا تفتح الأبواب كثيرا.

• ربما يكون باب المجمد أو المبرد مواربا. <<< تأكد أن الأبواب مغلقة كليا.

- قد تسبب بعض المستوعبات ومواد التغليف بالروائح. <<< استخدم المستوعبات ومواد التغليف الخالية من الروائح.
- تم وضع الطعام في مستوعبات غير محكمة الإغلاق. <<< احتفظ بالأطعمة في مستوعبات محكمة الإغلاق. قد تنتشر الميكروبات من الأطعمة غير المغلقة مسببة الروائح الكريهة.
- تخلص من أية أطعمة فاسدة أو منتهية الصلاحية داخل الجهاز..

الباب لا يغلق.

- تسد أغلفة الطعام الباب أحياناً. <<< غير مكان الأطعمة التي تسد الأبواب.
- لا يقف الجهاز بوضع رأسي كامل على الأرض. <<< اضبط القواعد لموازنة الجهاز.
- السطح ليس مسطحاً أو متيناً <<< تأكد من أن السطح مسطح ومتين بدرجة كافية لتحمل المنتج.

درج الخضروات محشور.

- ربما تلامس الأطعمة الجزء العلوي من الجارور. <<< أعد ترتيب الأطعمة في الجارور.

درجة الحرارة على سطح المنتج.

- يمكن ملاحظة ارتفاع درجة الحرارة بين البابين ، على الألواح الجانبية وعلى منطقة الشبكة الخلفية أثناء تشغيل المنتج. هذا أمر طبيعي ولا يتطلب صيانة.

تستمر المروحة في العمل عند فتح الباب.

- قد تستمر المروحة في العمل عندما يكون باب المجمد مفتوحاً.

- ربما تم وضع كميات كبيرة من الطعام الساخن في الجهاز مؤخرًا. <<< لا تضع الطعام الساخن داخل الجهاز.

الاهتزاز أو الضجيج.

- السطح ليس مسطحاً أو متيناً <<< إذا كان المنتج يهتز عند تحريكه ببطاء، فاضبط الحامل لموازنة المنتج. تأكد أن الأرض متينة لدرجة تحمل الجهاز.
- قد تحدث أية مواد موضوعة على الجهاز ضجيجاً. <<< قم بإزالة أية مواد وضعت على الجهاز.
- يصدر الجهاز ضجيجاً يشبه تدفق السوائل، أو الرش، الخ.
- يتخلل مبادئ تشغيل الجهاز تدفق السائل والغاز. <<< هذا أمر طبيعي ولا يعتبر عطلاً.

هناك صوت كهبوب الرياح يأتي من الجهاز.

- يستخدم الجهاز مروحة في عملية التبريد. هذا أمر طبيعي ولا يعتبر عطلاً.

هناك تكاثف على الجدران الداخلية للجهاز.

- يزيد الطغس الحار أو الرطب من تشكل الصقيع والتكاثف. هذا أمر طبيعي ولا يعتبر عطلاً.
- تم فتح الأبواب كثيراً أو تركت مفتوحة لفترات طويلة. <<< لا تفتح الأبواب كثيراً؛ إذا كانت مفتوحة، أغلقها.
- ربما يكون الباب موارباً. <<< أغلق الباب كلياً.

هناك تكاثف على السطح الخارجي للجهاز أو بين الأبواب.

- ربما يكون جو المكان رطباً، وهذا أمر طبيعي في الجو الرطب. <<< سيتبدد التكاثف عندما تقل الرطوبة.

رائحة الجزء الداخلي سيئة.

- لا يتم تنظيف الجهاز بانتظام. <<< نظف الجزء الداخلي بانتظام مستخدماً إسفنجة وماء دافئ وماء مكربن.

تحذير: إن استمرت المشكلة بعد اتباع تعليمات هذا القسم، اتصل بالبائع أو بمركز خدمة معتمد. لا تحاول إصلاح الجهاز. هذا أمر طبيعي.

Пожалуйста, сперва прочтите это руководство!

Уважаемый покупатель,

Изучите данное руководство перед началом эксплуатации изделия.


Благодарим за приобретение этой продукции Arçelik. Мы хотим, чтобы вы добились оптимальной эффективности от этого высококачественного продукта, который был произведен с использованием новейших технологий. Для этого внимательно прочтите это руководство и любую другую документацию, предоставленную перед использованием продукта, и сохраните ее в качестве справки.


Обратите внимание на всю информацию и предупреждения в руководстве пользователя. Таким образом вы защитите себя и свой продукт от возможных опасностей.


Сохраните руководство пользователя. Приложите это руководство к устройству, если вы передадите его кому-то другому.

В руководстве пользователя используются следующие символы:


 Опасность, которая может привести к смерти или травме.

 Важная информация или полезные советы по эксплуатации.

 Прочитайте руководство пользователя.

 Горючий материал, предупреждение об опасности возгорания.


ПРИМЕЧАНИЕ Опасность, которая может вызвать материальный ущерб продукту или его окружению


	<p>Для доступа к информации о модели в базе данных воспользуйтесь следующим веб-сайтом и произведите поиск по идентификатору модели (*), указанному на маркировке энергоэффективности.</p> <p>https://eprel.ec.europa.eu/</p>
--	---


1	Инструкции по технике безопасности	62
1.1	Назначение использования	62
1.2	Безопасность для детей, уязвимых лиц и домашних животных	62
1.3	Электробезопасность	63
1.4	Безопасность при обращении ..	64
1.5	Безопасность установки	64
1.6	Эксплуатационная безопасность	67
1.7	Безопасность хранения продуктов	69
1.8	Безопасность технического обслуживания и очистки	70
2	Инструкции по окружающей среде	72
2.1	Соответствие нормам WEEE и утилизации отходов	72
2.2	Информация об упаковке	72
3	Ваш холодильник	72
4	Установка	73
4.1	Электрическая схема	74
5	Подготовка	74
5.1	Как экономить электроэнергию	74
5.2	Первое использование	75
5.3	Климатический класс и определения	75
6	Эксплуатация устройства	76
7	Панель управления изделия	77
8	Эксплуатация устройства	79
8.1	Хранение продуктов в морозильной и холодильной камере	79
8.2	Замена лампы подсветки	82
8.3	Предупреждение об открытой двери	82
8.4	Изменение стороны открывания двери	83
9	Особенности продукта	83
9.1	Зона хранения льда	83
9.2	Ящик для фруктов и овощей	83
9.3	Технологии Crisper	84
9.4	AeroFresh	84
9.5	Контейнер с Контролируемой Влажностью	84
9.6	Подвижная полка корпуса	85


1 Инструкции по технике безопасности

- В этой секции содержатся инструкции по безопасности, необходимые для предотвращения риска получения травм и материального ущерба.
- Наша компания не будет нести ответственность за ущерб, который может возникнуть в случае несоблюдения этих инструкций.

 Работы по установке и ремонту всегда должна выполнять авторизованная служба.

 Используйте только оригинальные запчасти и аксессуары.

 Не проводите ремонт и замену каких-либо частей устройства, если это явно не сказано в руководстве пользователя.

 Не вносите никаких изменений в устройство.

1.1 Назначение использования

- Данное изделие не предназначено для коммерческого использования и не должно использоваться в целях, отличных от предполагаемого использования.

- Это устройство предназначено для эксплуатации в помещениях, к примеру, в домашнем хозяйстве и т. д.

Например:

на кухнях для персонала магазинов, офисов и других рабочих помещениях, в фермерских домах, гостиницах, мотелях и иных местах отдыха, которые используются клиентами, в общежитиях или аналогичных помещениях, в сфере общественного питания и аналогичных некоммерческих сферах.

- Это устройство нельзя использовать в открытых и закрытых помещениях, таких как судна, дома на колесах, балконы или террасы. Воздействие на устройство дождя, снега, солнечного света и ветра может привести к возгоранию.

1.2 Безопасность для детей, уязвимых лиц и домашних животных

- Этим устройством могут пользоваться дети в возрасте 8 лет и старше, а также люди с неполноценными физическими, сенсорными

или умственными способностями либо с недостатком опыта и знаний, если они находятся под наблюдением либо были проинструктированы относительно безопасного использования устройства и связанных с ним опасностей.

- Детям в возрасте от 3 до 8 лет разрешается класть и выносить продукты из холодильника.
- Электротехнические изделия представляют опасность для детей и домашних животных. Детям и домашним животным запрещено играть с устройством, забираться на него или входить в него.
- Детям запрещено выполнять чистку и техническое обслуживание, если за ними не присматривают.
- Храните упаковочные материалы в недоступном для детей месте. Риск травмы и удушья.

Перед утилизацией старых продуктов, которые больше не должны использоваться:

1. Отсоедините шнур питания от сетевой розетки.
2. Перережьте шнур питания и выньте его из прибора вместе с вилкой.

3. Не снимайте стойки и ящики с устройства, чтобы дети не могли попасть внутрь прибора.
 4. Снимите двери.
 5. Храните устройство так, чтобы его невозможно было опрокинуть.
 6. Не позволяйте детям играть с утилизированным устройством.
- Не утилизируйте устройство, помещая его в огонь. Опасность взрыва.
 - Если на дверце продукта есть замок, храните ключ в недоступном для детей месте.



1.3 Электробезопасность

- Устройство не должно быть подключено к розетке во время монтажа, технического обслуживания, очистки, ремонта и транспортировки.
- Если шнур питания поврежден, он должен быть заменен только авторизованным сервисом, во избежание любого риска, который может возникнуть.
- Не засовывайте шнур питания под устройство или за его заднюю часть. Не кладите на шнур питания тяжелые предметы. Шнур питания не-

льзя гнуть, давить и он не должен контактировать с источниками тепла.

- Не используйте удлинитель, мульти-вилку или адаптер для работы с вашим устройством.
- Портативные многополюсные вилки и портативные источники питания могут перегреться и привести к возгоранию. Таким образом, не устанавливайте портативные источники питания позади или вблизи устройства.
- Не подключайте шнур питания устройства к ослабленной или поврежденной розетке. Эти типы соединений могут перегреваться и вызывать пожар.
- Должен быть легкий доступ к вилке. Если это невозможно, в электроустановке должен быть предусмотрен механизм, соответствующий законодательству в области электротехники и отключающий все клеммы от сети (предохранитель, выключатель, главный выключатель и т.д.).
- Не касайтесь вилки мокрыми руками.
- Вынимая вилку из розетки, держитесь не за шнур, а за вилку.



1.4 Безопасность при обращении

- Перед перемещением изделия обязательно отключите его от сети.
- Устройство тяжелое, не обращайтесь с ним самостоятельно. Если изделие упадет на вас, возможно получение травмы. Не натывайтесь на попадающиеся по пути предметы и не роняйте изделие во время транспортировки.
- Во время транспортировки всегда закрывайте дверцы и не держите изделие за дверцы.
- Будьте осторожны, чтобы не повредить систему охлаждения и трубы при обращении с устройством. Не используйте устройство, если трубы повреждены, и обратитесь в авторизованный центр.



1.5 Безопасность установки

- Обратитесь в авторизованный центр для установки устройства. Для того, чтобы подготовить устройство к использованию, ознакомьтесь с информацией в руководстве пользователя и убедитесь, что электрические и водопроводные сети соот-

ветствуют требованиям. В противном случае вызовите квалифицированного электрика и сантехника для принятия необходимых мер. Иначе будет риск поражения электрическим током, пожара, проблем с изделием или травмирования.

- Изделие предназначено для использования на участках 2000 метров ниже уровня моря.
- Перед установкой проверьте устройство на наличие повреждений. Не устанавливайте устройство, если оно повреждено.
- Во время установки, технического обслуживания и ремонта изделия всегда используйте средства индивидуальной защиты (перчатки и т. д.). Риск получения травмы!
- Установите устройство на чистую, ровную и твердую поверхность и сбалансируйте его регулируемыми ножками (вращая передние ножки вправо или влево). В противном случае холодильник может опрокинуться и привести к травмам.
- Устройство следует устанавливать в сухом и вентилируемом помещении. Не кладите ковры, коврики и аналогичные напольные покрытия под устройством. Может привести к возгоранию из-за недостаточной вентиляции!
- Не блокируйте и не покрывайте вентиляционные отверстия. В противном случае потребление энергии увеличится, и ваше изделие повредится.
- При размещении изделия убедитесь, что кабель питания не поврежден и не заземлен.
- Изделие запрещено подключать к системам питания, таким как солнечные батареи. В противном случае ваше изделие может повредиться из-за резких перепадов напряжения!
- Чем больше хладагента содержится в холодильнике, тем больше должно быть помещение для его установки. В очень маленьких помещениях в случае утечки газа в системе охлаждения может возникнуть воспламеняющаяся газоздушная смесь. На каждые 8 граммов хладагента требуется не менее 1 м³ объема. Количество хладагента, доступного в вашем устройстве, указано на этикетке типа.
- Место установки устройства не должно подвергаться воздействию прямых солнечных лучей и не должно находиться

ся вблизи источников тепла, таких как печи, радиаторы и т.д. В случае, если вы не способны предотвратить установку устройства вблизи источника тепла, используйте подходящую изоляционную пластину и убедитесь, что минимальное расстояние до источника тепла такое, как указано ниже:

- На расстоянии не менее 30 см от источников тепла, таких как плиты, духовки, отопительные приборы и обогреватели и т.д.,
- И не менее 5 см от электрических духовок.
- Ваше устройство имеет класс защиты I.
- Подключите устройство к заземленной розетке, которая соответствует значениям напряжения, тока и частоты, указанным на заводской табличке. В розетке должен быть предохранитель на 10–16 А. Наша компания не несет ответственности за какие-либо повреждения, возникшие в результате использования устройства без заземления и невыполнения местных и национальных норм при подключении холодильника к электросети.
- При установке кабель питания устройства должен быть отключен от электросети. В противном случае может возникнуть опасность поражения электрическим током и получения травм!
- Не подключайте шнур питания изделия к ослабленным, смещенным, сломанным, грязным, покрытым маслом розеткам, которые имеют риск контакта с водой. Эти типы соединений могут привести к перегреву и возгоранию.
- Расположите шнур питания и шланги (если таковые имеются) устройства таким образом, чтобы они приводили к опрокидыванию.
- Попадание влаги и жидкости на токоведущие части или на шнур питания может привести к короткому замыканию. Соответственно, не используйте устройство во влажной среде или в местах, где может брызгать вода (к примеру, гараж, прачечная и т.д.). Если холодильник намок от воды, отключите его от сети и обратитесь в сервисный центр.

- Никогда не подключайте холодильник к энергосберегающим устройствам. Такие системы вредны для устройства.
- При снятии крышки электронной платы и задней крышки компрессора (если она установлена) существует риск соприкосновения с электрическими частями. Не снимайте крышку электронной платы и заднюю крышку компрессора (если она установлена). Существует риск получения смертельного электропоражения!

1.6 Эксплуатационная безопасность

- Никогда не используйте на устройстве химические растворители. Эти материалы могут привести к взрыву.
- В случае неисправности устройства отключите его от сети и не включайте, пока оно не будет отремонтировано в авторизованном сервисном центре. Существует опасность поражения электрическим током!
- Не размещайте источник пламени (например, свечи, сигареты и т.д.) на устройстве или в непосредственной близости от него.
- Не вставляйте на устройство. Опасность падения и травм!
- Не наносите повреждения трубам системы охлаждения с помощью острых и колющих инструментов. Хладагент, который распространяется в случае прокола газовых труб, удлинителей труб или покрытий верхней поверхности, может вызвать раздражение кожи и повреждение глаз.
- Не размещайте и не используйте электроприборы внутри холодильников/морозильных камер, если таковое не рекомендовано производителем.
- Не прикладывайте какие-либо части рук или тела к движущимся частям внутри устройства. Будьте внимательны, чтобы не зажать пальцы между холодильником и его дверцей. Будьте внимательны, открывая или закрывая дверь, если рядом есть дети.
- Не употребляйте мороженое, кубики льда или замороженные продукты, как только достанете их из морозилки. Риск обморожения!
- Не прикасайтесь мокрыми руками к внутренним стенкам, металлическим частям морозильной камеры или продуктам, хранящимся внутри морозильника. Риск обморожения!

- Не помещайте банки с газировкой, банки и бутылки, содержащие жидкости, которые могут быть заморожены, в морозильную камеру. Банки и бутылки могут лопнуть. Риск получения травм и материального ущерба!
- Не используйте и не размещайте вблизи холодильника материалы, которые чувствительны к температуре, такие как легковоспламеняющиеся аэрозоли и предметы, сухой лед либо иные химические вещества. Опасность возникновения пожара и взрыва!
- Не храните взрывчатые вещества, такие как аэрозольные баллончики с легко воспламеняющимися материалами внутри холодильника.
- Не ставьте банки с жидкостями поверх холодильника в открытом состоянии. Попадание воды на электрическую деталь может привести к поражению электрическим током или возгоранию.
- Данное устройство не предназначено для хранения и охлаждения лекарственных средств, плазмы крови, лабораторных препаратов или аналогичных материалов и изделий, подпадающих под Директиву о медицинских изделиях.
- Если устройство не используется по назначению, это может привести к повреждению или порче продуктов.
- Если ваш холодильник оснащен синим светом, не смотрите на этот свет с помощью оптических приборов. Не смотрите прямо на УФ-светодиоды в течение долгого времени. Ультрафиолетовые лучи могут привести к напряжению глаз.
- Не заполняйте холодильник большим количеством продуктов, нежели его вместимость. Травмы и повреждения могут возникнуть, если содержимое холодильника упадет при открытии дверцы. Такие же проблемы также могут возникнуть при размещении предмета поверх холодильника.
- Убедитесь, что вы удалили лед и воду, которые могли упасть на пол для предотвращения травм.
- Поменяйте расположение полок/полок для бутылок на дверце вашего холодильника, пока полки пустые. Опасность получения травм!

- Не кладите на устройство предметы, которые могут упасть или опрокинуться. Предметы могут упасть при открывании или закрывании двери и привести к травмам и/или материальному ущербу.
- Не ударяйте и не оказывайте чрезмерного давления на стеклянные поверхности. Разбитое стекло может привести к травмам и/или материальному ущербу.
- Система охлаждения вашего холодильника содержит хладагент R600a. Тип хладагента, используемого в холодильнике, указан на этикетке типа. Этот газ легко воспламеняем. По этой причине будьте осторожны, чтобы не повредить систему охлаждения и трубы во время эксплуатации устройства. В случае повреждения труб:
 1. Не прикасайтесь к устройству или кабелю питания.
 2. устройство вдали от потенциальных источников огня, которые могут привести к возгоранию холодильника.
 3. Проветрите помещение, в котором находится изделие. Не используйте вентилятор.
 4. Обратитесь в авторизованную службу.

Если холодильник поврежден и вы заметили утечку газа, пожалуйста, держитесь подальше от газа. Газ может вызвать обморожение при попадании на кожу.

Перед утилизацией старых продуктов, которые больше не должны использоваться:

1. Отсоедините шнур питания от сетевой розетки.
 2. Перережьте шнур питания и выньте его из прибора вместе с вилкой.
 3. Не снимайте стойки и ящики с устройства, чтобы дети не могли попасть внутрь прибора.
 4. Снимите двери.
 5. Храните устройство так, чтобы его невозможно было опрокинуть.
 6. Не позволяйте детям играть с утилизированным устройством.
- Не утилизируйте устройство, помещая его в огонь. Опасность взрыва.
 - Если на дверце продукта есть замок, храните ключ в недоступном для детей месте.



1.7 Безопасность хранения продуктов

Пожалуйста, обратите внимание на следующие предупреждения, чтобы избежать порчи пищевых продуктов:

- Если оставить двери открытыми в течение длительного времени, температура внутри изделия может повыситься.
- Регулярно очищайте доступные дренажные системы, контактирующие с пищевыми продуктами.
- Очищайте резервуары для воды, которые не использовались в течение 48 часов, и системы подачи воды, которые не использовались в течение более 5 дней.
- Храните сырое мясо и рыбные продукты в соответствующих отсеках внутри изделия. Таким образом оно не будет капать на другие продукты и не будет соприкасаться с ними.
- Двухзвездочные морозильные камеры используются для хранения предварительно замороженных продуктов, изготовления и хранения льда и мороженого.
- Однозвездочные, двухзвездочные и трехзвездочные отсеки не подходят для замораживания свежих продуктов.
- Если охлаждающее изделие будет оставлено пустым в течение длительного времени, выключите его, размо-

розьте, очистите и высушите, чтобы защитить его корпус.



1.8 Безопасность технического обслуживания и очистки

- Отключайте холодильник перед очисткой или началом технического обслуживания.
- Не тяните за дверную ручку, если вам необходимо переместить холодильник в целях чистки. Ручка может привести к травмам, если ее слишком сильно потянуть.
- Не кладите руки и т. п. под холодильник. Может произойти зажатие, или любой острый край может привести к травмам.
- Не очищайте изделие распылением или заливкой воды на и внутри холодильника. Опасность поражения электрическим током и пожара.
- При очистке изделия не используйте острые и абразивные инструменты или бытовые чистящие средства, моющие средства, газ, бензин, разбавитель, спирт, лак и аналогичные вещества. Используйте чистящие и обслуживающие средства, кото-

рые не вредны для пищевых продуктов, внутри холодильника.

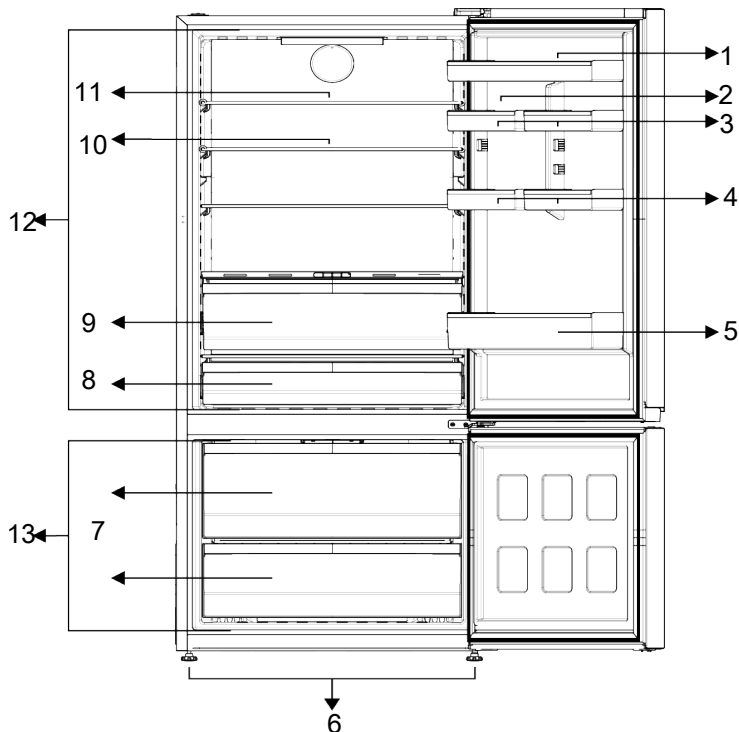
- Никогда не используйте пар и пропаренные чистящие средства для очистки холодильника и размораживания льда внутри него. Пар будет контактировать с областями, находящимися под напряжением в вашем холодильнике, и может вызвать короткое замыкание или поражение электрическим током.
- Не используйте какие-либо механические инструменты или любые другие инструменты, кроме рекомендаций производителя, для ускорения операции размораживания.
- Следите за тем, чтобы вода не попадала на вентиляционные отверстия, электронные схемы или освещение холодильника.
- Пользуйтесь чистой сухой тканью для удаления пыли или посторонних материалов с кончиков заглушек. Не используйте влажный кусок ткани для очистки вилки. В противном случае может возникнуть возгорание или поражение электрическим током.

2 Инструкции по окружающей среде

2.1 Соответствие нормам WEEE и утилизации отходов

2.2 Информация об упаковке

3 Ваш холодильник



- | | |
|--|---|
| 1 Полки на дверце холодильной камеры | 2 Держатель яиц |
| 3 * Небольшие дверные полки холодильного отделения | 4 * Небольшие дверные полки холодильного отделения |
| 5 Полка для бутылок | 6 Регулируемые ножки |
| 7 * Ящики морозильной камеры | 8 Ящик для молочных продуктов (хранение в охлажденном виде) |
| 9 Ящик для фруктов и овощей | 10 *Стекланные полки |
| 11 * Подвижная стеклянная полка на корпусе | 12 Холодильное отделение |
| 13 Морозильная камера | |

***опционально:** Рисунки в данном руководстве по эксплуатации могут не полностью соответствовать характеристикам вашего устройства. Если в вашем

устройстве нет соответствующих деталей, информация относится к другим моделям.

4 Установка

Подходящее место для установки



Сначала прочтите раздел «Инструкции по технике безопасности!»

Для эффективной работы вашего изделия необходима достаточная циркуляция воздуха. При установке изделия в нише необходимо обеспечить зазор не менее 5 см между изделием, потолком, задней и боковыми стенами. Убедитесь, что защитный элемент зазора у задней стены установлен в предназначенное для него место (если он входит в комплектацию изделия). Если элемент отсутствует, утерян или отломан, изделие необходимо устанавливать таким образом, чтобы между его задней поверхностью и стеной помещения оставался зазор не менее 5 см. Зазор у задней стены необходим для эффективной работы изделия.



При подключении устройства к электросети запрещается использовать удлинители или многорозеточные переходники.



Производитель не несет ответственности за любые повреждения, возникшие в результате выполнения работ лицами, которые не имеют на это разрешения.



При установке кабель питания устройства должен быть отключен от электросети. Невыполнение этого указания может привести к смерти или серьезному травматизму!



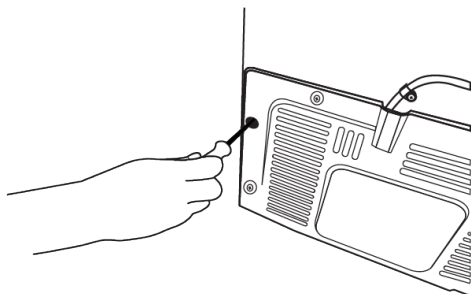
Если пролет двери слишком узкий для прохождения устройства, следует снять дверь и вносить холодильник боком; при невозможности выполнить это действие обратитесь в авторизованную сервисную службу.

- Поместите изделие на ровную поверхность, чтобы не избежать вибраций
- Расположите изделие на расстоянии не менее 30 см от обогревателей, плит и аналогичных источников тепла и не менее 5 см от электрических духовок.
- Не подвергайте изделие воздействию прямых солнечных лучей и не храните во влажной среде.

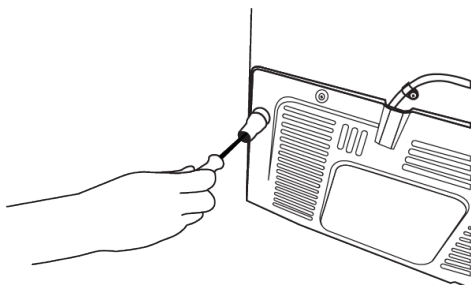
Установка пластиковых клиньев

Чтобы обеспечить достаточно пространства для циркуляции воздуха между устройством и стеной, следует использовать пластиковые клинья.

- Извлеките винты из устройства и используйте винты, идущие в комплекте с клиньями.

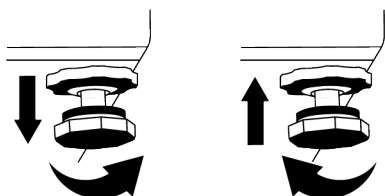


- Присоедините 2 пластиковых клина к вентиляционной крышке, как показано на рисунке.



Регулировка ножек

Если изделие не находится в сбалансированном положении, вы можете отрегулировать баланс, повернув подставки спереди справа или слева.



4.1 Электрическая схема



ПРЕДУПРЕЖДЕНИЕ: При подключении устройства к электросети запрещается использовать удлинители или многорозеточные переходники.

5 Подготовка



Сначала прочтите раздел «Инструкции по технике безопасности»!

5.1 Как экономить электроэнергию



Не рекомендуется подключать устройство к энергосберегающим системам, поскольку это может привести к его поломке.



ПРЕДУПРЕЖДЕНИЕ: Поврежденный кабель питания заменяет авторизованная сервисная служба.

- Наша компания не несет ответственности за какие-либо повреждения, возникшие в результате использования устройства без заземления и невыполнения национальных норм при подключении холодильника к электросети.
- После установки устройства к кабелю питания должен быть обеспечен легкий доступ.



Предупреждение о горячей поверхности!

Боковые стенки вашего продукта оснащены охлаждающими трубками для улучшения системы охлаждения. Жидкость под высоким давлением может протекать через эти поверхности и вызывать нагревание поверхностей на боковых стенках. Это нормально и не требует обслуживания. Будьте осторожны при контакте с этими областями.

- Этот холодильный прибор не предназначен для использования в качестве встраиваемого прибора.
- Не держите дверцы холодильника открытыми на протяжении длительного времени.
- Не ставьте горячую еду или напитки в холодильник.
- Не перегружайте холодильник - затруднение внутреннего воздухооборота снизит его охлаждающую способность.

- Поскольку горячий и влажный воздух не будет напрямую проникать в ваш продукт, когда дверца не открыта, ваш продукт будет оптимизировать себя в условиях, достаточных для защиты ваших продуктов. В этих условиях такие функции и компоненты, как компрессор, вентилятор, нагреватель, размораживание, освещение, дисплей и т. п., будут работать в соответствии с потребностями при минимальном потреблении энергии.
- В случае наличия нескольких вариантов стеклянные полки должны быть размещены так, чтобы отверстия для выпуска воздуха на задней стенке не были заблокированы, предпочтительно, чтобы отверстия для выпуска воздуха оставались под стеклянной полкой. Эта комбинация может помочь улучшить распределение воздуха и энергоэффективность.
- При хранении настоятельно рекомендуется использовать нижеприведенный ящик.
- Для обеспечения экономии энергии и лучших условий хранения продуктов используйте ящики холодильной камеры.

5.2 Первое использование

Перед тем, как использовать холодильник, убедитесь, что все подготовительные работы выполнены в соответствии с рекомендациями в разделах «Инструкции по охране труда и окружающей среды» и «Установка».

- Дайте изделию проработать, не кладя внутрь продукты, в течение 6 часов и не открывайте дверцу без крайней необходимости.
- Изменение температуры, вызванное открытием и закрытием дверцы во время использования изделия, обычно может привести к конденсации на полках дверцы/корпуса и стеклянных емкостях, помещенных в изделие.



При включении компрессора вы услышите звук. Изделие издает шум, даже если компрессор не работает, поскольку жидкость и газ могут быть сжаты в системе охлаждения.



Передние края холодильника должны быть теплыми. Они специально подогреваются, чтобы предотвратить образование конденсата.



В некоторых моделях индикаторная панель автоматически выключается через 1 минуту после закрытия дверцы. Она включается снова при открытии дверцы или нажатии любой кнопки.

5.3 Климатический класс и определения

Пожалуйста, просмотрите климатический класс на паспортной табличке вашего устройства. Одни из следующих сведений применимы к вашему устройству в соответствии с климатическим классом.

- **SN:** Длительный умеренный климат: Данное охлаждающее устройство предназначено для использования при температуре окружающей среды от 10°C до 32°C.
- **N:** Умеренный климат: Данное охлаждающее устройство предназначено для использования при температуре окружающей среды от 16°C до 32°C.
- **ST:** Субтропический климат: Данное охлаждающее устройство предназначено для использования при температуре окружающей среды от 16°C до 38°C.
- **T:** Тропический климат: Данное охлаждающее устройство предназначено для использования при температуре окружающей среды от 16°C до 43°C.

6 Эксплуатация устройства



Сначала прочтите раздел «Инструкции по технике безопасности»!

- Не используйте какие-либо механические инструменты или любые другие инструменты, кроме рекомендаций производителя, для ускорения операции размораживания.
- Не используйте такие части холодильника, как дверца или ящики, в качестве опоры или ступеньки. Это может привести к опрокидыванию изделия или повреждению его компонентов.
- Изделие следует использовать только для хранения продуктов.

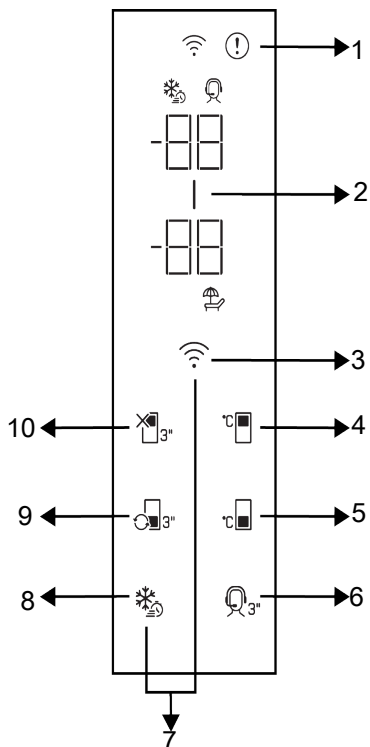
- Закройте водяной кран, если вы будете вдали от дома (например, в отпуске) и не будете использовать Icematic или диспенсер для воды в течение длительного периода времени. В противном случае может произойти утечка воды.

Выключение изделия из розетки

- Если вы не собираетесь использовать изделие в течение длительного времени, отключите его от розетки.
- Уберите продукты, чтобы не было запаха.
- Подождите, пока лед растает, очистите изделие внутри и дайте ему высохнуть, оставьте двери открытыми, чтобы не повредить пластиковую часть корпуса внутри.

7 Панель управления изделия

RU



- | | |
|---|---|
| 1 Индикатор ошибки | 2 Индикатор энергосбережения (дисплей выключен) |
| 3 *Кнопка Беспроводного подключения | 4 Кнопка регулировки температуры холодильной камеры |
| 5 Кнопка регулировки температуры морозильной камеры | 6 * Кнопка технической поддержки |
| 7 Клавиша для сброса настроек беспроводного подключения | 8 * Клавиша быстрой заморозки/Клавиша настройки функции подсветки ручки |
| 9 Кнопка переключения отсека | 10 Функциональная клавиша Выкл. холодильной камеры (отпуск) |



Сначала прочтите раздел «Инструкции по технике безопасности».

*опционально: Показанные функции являются необязательными, могут быть различия в форме и расположении функций, отображаемых на индикаторной панели вашего устройства.

При эксплуатации холодильника помогут звуковые и визуальные функции.

1. Индикатор ошибки (!)

Этот индикатор (!) будет активен, когда ваш холодильник не может обеспечить надлежащее охлаждение или в случае какой-либо ошибки датчика. На индикаторе температуры морозильной камеры

отобразится «Е», а на индикаторе температуры охлаждающей камеры должны отображаться такие цифры, как 1,2,3. Эти цифры предоставляют авторизованному сервису информацию о возникшей ошибке.

Восклицательный знак может отображаться, когда вы загружаете теплые продукты в морозильную камеру или оставляете дверцу открытой в течение длительного периода времени. Это не является неисправностью, это предупреждение должно быть удалено, когда продукты остынут или при нажатии любой кнопки.

2. Индикатор энергосбережения | (дисплей выключен)

Функция энергосбережения включается автоматически, и символ энергосбережения отображается, если дверца продукта не открывается или не закрывается в течение некоторого периода времени. После включения режима энергосбережения все значки, кроме значка энергосбережения, погаснут. При активации функции энергосбережения, если вы нажмете любую клавишу или откроете дверцу, функция энергосбережения будет деактивирована, а символы на экране вернуться к нормальному состоянию. Функция энергосбережения активирована на заводе и не может быть отменена.

3. *Кнопка Беспроводного подключения



При длительном нажатии клавиши (3 секунды) символ беспроводного подключения на дисплее / экране медленно мигает (с интервалом 0,5 секунды). Таким образом на устройстве инициализируется домашняя сеть.

После установления беспроводного соединения с изделием символ беспроводного соединения горит постоянно.

Когда начальное соединение установлено, вы можете активировать/деактивировать соединение коротким нажатием на эту кнопку. Символ беспроводного соединения будет быстро мигать (с интер-

валом 0,2 секунды), пока соединение не будет установлено. Когда соединение активировано, символ беспроводной сети будет гореть непрерывно.

Если соединение не может быть установлено в течение длительного периода, проверьте настройки соединения и обратитесь к разделу «Устранение неполадок» в руководстве пользователя.

Для беспроводного подключения следует использовать приложение HomeWhiz. Шаги установки описаны в приложении во время установки.

Вы можете получить доступ к приложению, просканировав QR-код, указанный на этикетке HomeWhiz на продукте. Приложение предлагается через App Store для устройств iOS и через Play Store для устройств Android.

Посетите сайт <https://www.homewhiz.com/> для получения подробной информации.

4. Кнопка регулировки температуры холодильной камеры

Позволяет установить температуру для холодильной камеры. Нажатие этой клавиши позволит установить температуру в холодильном отделении на 8, 7, 6, 7,4,3,2 и 1°C.

5. Кнопка регулировки температуры морозильной камеры

Регулировка температуры морозильного отделения. При нажатии этой клавиши температура морозильной камеры может быть установлена на значения -18,-19, -20, -21, -22, -23, -24 °C.

6. * Кнопка технической поддержки



Зажмите эту кнопку на 3 секунды для того, чтобы активировать/отключить службу поддержки. Подробную информацию о службе поддержки можно найти в разделе «Функция службы поддержки».

7. Клавиша для сброса настроек беспроводного подключения

Чтобы сбросить настройки беспроводного подключения, одновременно нажмите и удерживайте кнопки быстрого замораживания и беспроводного подключения в течение 3 секунд. Вся информация о пользователе, записанная ранее, удаляется на продукте, где настройки беспроводного подключения сбрасываются / восстанавливаются до заводских значений по умолчанию.

8. * Кнопка Быстрого замораживания



При нажатии клавиши быстрой заморозки появится символ быстрой заморозки и будет подсвечиваться, и функция быстрой заморозки будет активирована. Температура в морозильной камере устанавливается -27°C . Нажмите клавишу еще раз, чтобы отменить функцию. Функция быстрого замораживания автоматически отменяется. Чтобы заморозить большое количество свежих продуктов, нажмите кнопку быстрого замораживания перед помещением продуктов в морозильную камеру.

*Кнопка настройки функции подсветки ручки

Функцию подсветки ручки можно переключить между открытым и закрытым режимами, нажав и удерживая кнопку быстрого замораживания в течение 3 секунд. В закрытом режиме подсветка ручки включается только при открытой дверце прибора и гаснет через некоторое время после закрытия дверцы. В

открытом режиме подсветка ручки включается при открытии двери и продолжает гореть тускло через некоторое время после того, как дверь закрывается. Функция подсветки ручки установлена в режим «франко-завод».

9. * Кнопка переключения отсека

При нажатии и удерживании клавиши переключения отделения в течение 3 секунд

морозильное отделение будет переключаться между режимами охлаждения, выключения и заморозки.

Если устройство работает как охлаждающая камера, температуру в камере можно установить на уровне 4°C . В случае режима ВЫКЛ индикатор температуры в отсеке должен показывать «- -».

10. Функциональная клавиша Выкл.

холодильной камеры (отпуск)

Нажмите кнопку в течение 3 секунд, чтобы активировать функцию отпуска. Режим отпуска активируется, а символ отпуска загорается. На индикаторе температуры холодильной камеры должно отображаться «- -», и холодильная камера не будет выполнять активное охлаждение.

Когда эта функция активирована, вы не должны хранить продукты в холодильном отделении. Остальные отделения продолжают охлаждаться в соответствии с установленной температурой. Чтобы отменить эту функцию, снова нажмите и удерживайте кнопку в течение 3 секунд.

8 Эксплуатация устройства



Сначала прочтите раздел «Инструкции по технике безопасности»!

8.1 Хранение продуктов в морозильной и холодильной камере

Хранение продуктов в морозильной камере

- Вы можете активировать функцию быстрого замораживания за 4-6 часов до замораживания и выполнить более быстрое охлаждение.

- Доведите горячие блюда до комнатной температуры, прежде чем помещать их в морозильную камеру.
- Продукты, которые подвергнутся замораживанию, должны быть разделены на порции согласно потребляемому размеру и заморожены в отдельных пакетах.
- Рекомендуется упаковать продукты, прежде чем класть их в морозильную камеру.
- Во избежание истечения срока хранения запишите дату замораживания, время и название продукта на упаковке в соответствии со сроками хранения различных пищевых продуктов.
- Быстро употребляйте размороженные продукты. Размороженные продукты не могут быть заморожены снова, если они не будут приготовлены. Небезопасно употреблять повторно замороженные свежие продукты без приготовления после их разморозки.
- Когда вы замораживаете свежие продукты, не допускайте их соприкосновения с уже замороженными продуктами. В противном случае замороженные продукты будут разморожены.
- Чтобы сохранить качество продуктов, соблюдайте минимальный интервал между покупкой и хранением.
- Покупайте замороженные продукты, которые хранятся при температуре – 18 °C или ниже.
- Избегайте покупки продуктов, чьи упаковки покрыты льдом и т. д. Это означает, что продукт мог быть частично разморожен и повторно заморожен. Температура влияет на качество пищи.
- Не превышайте время хранения, рекомендованное производителем пищевых продуктов. Извлеките из морозильной камеры только ту пищу, которая вам нужна.
- За исключением случаев, когда существуют экстремальные условия внешней среды, если в вашем изделии установлены указанные заданные значения (в таблице рекомендуемых значений), продукты сохраняют свою свежесть в течение более длительного времени как в отсеке для свежих продуктов, так и в морозильной камере.
- Если в отсеке для свежих продуктов установлена более низкая температура, свежие фрукты и овощи могут быть частично заморожены.

Хранение продуктов питания, которые продаются замороженными

- Всегда следуйте инструкциям производителя в отношении времени, в течение которого вы должны хранить свои продукты. Не превышайте время, указанное в настоящей инструкции!

Таблица рекомендуемых значений

Установка температуры морозильной камеры	Настройки холодильной камеры	Примечания
-18°C	4°C	Эта настройка является рекомендованной настройкой по умолчанию. Эта настройка рекомендуется, если температура окружающей среды ниже 30°C.
-20,-22 or -24 °C	4°C	Данные настройки рекомендуется использовать в случае, когда внешняя температура превышает 30°C.
Быстрая заморозка	4°C	Используется в случае, если вы хотите заморозить продукты в течение короткого промежутка времени. После окончания этого процесса настройки изделия восстанавливаются до предыдущих значений.
-18°C или ниже	2°C	Используйте данные настройки, если полагаете, что температура в холодильной камере недостаточно низкая в связи с внешней температурой или частым открыванием дверцы.

Быстрая заморозка

1. Активируйте функцию быстрого замораживания за 24 часа до размещения свежих продуктов.
2. Через 24 часа после нажатия кнопки, разместите продукты, которые вы хотите заморозить на вторую полку с более высокой производительностью.
3. Функция быстрого замораживания автоматически отменяется через 48 часа.

Сведения о морозильной камере

В соответствии со стандартами МЭК 62552, морозильная камера должна иметь способность замораживать 4,5 кг продуктов питания на каждые 100 литров объема морозильной камеры при температуре -18°C или при более низких температурах и температуре в помещении 25°C в течение 24 часов.

Продовольственные товары можно хранить в течение длительных периодов времени исключительно при температуре в -18°C и ниже.

Можно хранить продукты свежими в течение нескольких месяцев (в морозильной камере при температуре не выше -18°C).

Чтобы избежать частичного размораживания, еще не замороженные пищевые продукты не должны прикасаться к уже замороженным продуктам внутри устройства.

Чтобы продлить срок хранения в замороженном состоянии, отварите овощи и отфильтруйте воду. После фильтрации заверните пищу в воздухонепроницаемую упаковку и поместите в морозильную камеру. Не следует замораживать бананы, помидоры, салат-латук, сельдерей, отварные яйца, картошку и подобные пищевые продукты. В случае заморозки этих продуктов пораженные гнилью негативное воздействие испытывают только питательная ценность и вкусовые качества продуктов. Не вызывает сомнения, что употребление гнилых продуктов угрожает здоровью человека.

Размещение продуктов питания

Полки морозильной камеры: Различные замороженные продукты, такие как мясо, рыба, мороженое, овощи и т.п.

Полки холодильной камеры: Пищевые продукты в кастрюлях, накрытых крышками тарелках и упаковках с крышками, яйца (в закрытой упаковке)

Полки на дверце холодильной камеры: Мелкие и упакованные продукты питания или напитки

Ящик для фруктов и овощей: Овощи и фрукты

Отделение для свежих продуктов: Холодные закуски (хлопья, мясные продукты скорого употребления)

Хранение продуктов в холодильной камере

- Температура в камере заметно повышается, если дверь камеры часто открывается и закрывается и остается открытой в течение длительного времени, это может сократить срок службы продуктов и привести к их порче.
- Чтобы не вызывать изменения запаха и вкуса, продукты следует хранить в закрытых контейнерах.
- Не храните слишком много продуктов в холодильнике. Для достижения лучшего и однородного охлаждения поместите пищу отдельно таким образом, чтобы холодный воздух мог перемещаться по ней.
- Обеспечьте воздушный поток, оставив пространство между пищевыми продуктами и внутренней стенкой. Если прислонить продукты к задней стенке, они могут замерзнуть.
- Доведите приготовленные горячие блюда до комнатной температуры, прежде чем поместить их в холодильник. Затем вы можете поместить умеренно теплую еду на нижние полки вашего холодильника. Не размещайте умеренно теплую еду рядом с продуктами, которые могут легко испортиться.
- Размораживайте замороженные продукты в отделении для свежих продуктов. Таким образом, можно охлаждать

отсек для свежих продуктов, используя замороженные продукты, и экономить энергию.

- Хранение незрелых тропических фруктов (манго, разные сорта дыни, папайя, банан, ананас) в холодильнике может ускорить процесс созревания.
- Лук, чеснок, имбирь и другие корнеплоды следует хранить в темном и холодном помещении, а не в холодильнике.
- Если вы заметили, что еда испортилась в холодильнике, выбросьте ее и очистите аксессуары, которые контактировали с ней.
- Для того чтобы охладить такие блюда, как супы и рагу, которые готовятся в больших кастрюлях, вы можете быстро поместить их в холодильник, поместив их по частям в свои собственные неглубокие контейнеры.
- Не кладите расфасованную пищу рядом с яйцами.
- Держите фрукты и овощи отдельно и храните каждый сорт вместе (например, яблоки с яблоками, морковь с морковью)

- Извлеките зеленые овощи из полиэтиленового пакета и поместите их в холодильник, обернув в бумажное полотенце или ткань для высушивания. Если вы моете этот тип продуктов перед помещением их в холодильник, не забудьте высушить их.
- Вы можете как создать влажную среду, так и обеспечить воздушный поток, сохраняя фрукты и овощи, склонные к высыханию, в перфорированных или негерметичных пластиковых пакетах.
- За исключением случаев, когда существуют экстремальные условия внешней среды, если в вашем изделии установлены указанные заданные значения (в таблице рекомендуемых значений), продукты сохраняют свою свежесть в течение более длительного времени как в отсеке для свежих продуктов, так и в морозильной камере.

Храните разные продукты в разных местах в зависимости от их свойств.

Еда	Расположение
Яйцо	Дверная полка
Молочные продукты (масло, сыр)	При наличии отсек с нулевой температурой (продукты для завтрака)
Фрукты, овощи и зелень	Отделение для фруктов и овощей, ящик для фруктов и овощей или отсек EverFresh+ (при наличии)
Свежее мясо, птица, рыба, колбаса и т.д. Приготовленные продукты	При наличии отсек с нулевой температурой (продукты для завтрака)
Готовые к подаче продукты, фасованные продукты, консервы и маринованные огурцы	Верхние полки или дверная полка
Напитки, бутылки, специи и закуски	Дверная полка

8.2 Замена лампы подсветки

В случае необходимости замены лампы/СВЕТОДИОДНОГО ИНДИКАТОРА, используемых для освещения в вашем холодильнике, обратитесь в авторизованный сервисный центр.

Лампы, используемые в этом устройстве, не подходят для освещения помещений. Эти лампы предназначены для

того, чтобы пользователь мог безопасно и комфортно размещать продукты в холодильнике/морозильнике.

8.3 Предупреждение об открытой двери

Система предупреждения об открытии двери холодильника может отличаться в зависимости от модели.

Версия 1:

Если дверца изделия остается открытой в течение определенного времени (от 60 с до 120 с), звучит звуковой предупреждающий сигнал; в зависимости от модели изделия также может отображаться визуальный предупреждающий сигнал (световая вспышка). Если вы закроете дверцу устройства или нажмете кнопку на экране устройства, если таковая имеется, предупреждающий звук прекратится.

Версия 2:

Если дверь устройства остается открытой в течение определенного периода времени (от 60 с до 120 с), подается сигнал тревоги об открытии двери. Предупреждение об открытии двери звучит постепенно. Сначала начинает звучать звуковое предупреждение. Через 4 мину-

ты, если дверь все еще не закрыта, включается визуальное предупреждение (вспышка освещения). Предупреждение об открытии двери будет отложено на определенный период времени (от 60 с до 120 с) при нажатии любой клавиши на экране изделия, если таковая имеется. Затем предупреждение включится заново. Когда дверца устройства будет закрыта, предупреждение об открытии двери будет отменено.

8.4 Изменение стороны открывания двери

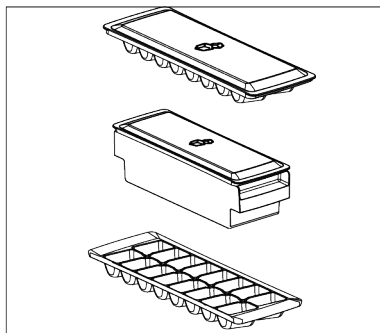
Направление открывания двери вашего холодильника может быть изменено в соответствии с местом его расположения. В случае такой необходимости вы должны обязательно позвонить в ближайший авторизованный сервисный центр.

9 Особенности продукта**9.1 Зона хранения льда****Контейнер для льда**

Емкость для льда позволяет легко доставать лед из холодильника.

Использование емкости для льда

1. Выньте емкость для льда из морозильной камеры.
2. Заполните емкость для льда водой.
3. Поместите емкость для льда в морозильную камеру. Лед будет готов примерно через два часа.
4. Выньте емкость для льда из морозильной камеры и слегка наклоните его над держателем, который вам нужен. Лед легко переместится в сервировочную подставку.

**9.2 Ящик для фруктов и овощей**

Контейнер для фруктов и овощей холодильника предназначен для сохранения свежих овощей за счет сохранения их влажности. С этой целью в морозильнике усиливается общая циркуляция холодного воздуха. Храните в данном отсеке фрукты и овощи. Храните фрукты и овощи с зелеными листьями отдельно, чтобы продлить их срок годности.

9.3 Технологии Crisper

Синий свет

Фрукты и овощи, хранящиеся в контейнерах холодильника в секции с синей подсветкой, продолжают фотосинтезировать благодаря эффекту световой волны, возникающему под воздействием синего света, и сохраняют витамины.

VitaminZone

Фрукты и овощи, хранящиеся в контейнерах холодильника в секции с освещением по технологии VitaminZone сохраняют витамины дольше, поскольку чередование синего, зеленого и красного освещения и периодов темноты имитирует суточный цикл.

Когда дверь вашего холодильника открывается в темное время суток в период использования технологии VitaminZone, ваш холодильник автоматически распознает это и для вашего удобства освещает холодильник одним из синих, зеленых или красных огней соответственно. После закрытия дверцы холодильника в нем вновь будет включен период темноты, имитирующий ночь в суточном цикле.

9.4 AeroFresh

Это система распределения воздуха, которая обеспечивает однородное распределение температуры. При циркуляции воздуха обеспечивается однородное распределение температуры в отсеке для хранения свежих продуктов, а колебания температуры поддерживаются на низком уровне. Прямой обдув пищи воздухом не осуществляется, и это помогает уменьшить потерю влаги. Он сохраняет свежесть продуктов, хранящихся в отделении для свежих продуктов холодильника. Таким образом, ваша пища хранится при более стабильных температурах и контакт с воздухом уменьшается. Сушка и сморщивание продуктов за счет потери влаги предотвращается, и свежесть обеспечивается в течение более длительного времени.

9.5 Контейнер с Контролируемой Влажностью

Full fresh

Благодаря контролируемой влажности овощи и фрукты могут храниться в течение более длительного периода в среде с идеальными условиями влажности.

С помощью системы настройки влажности с 3 вариантами перед ящиком для фруктов и овощей вы можете контролировать влажность внутри отделения в соответствии с продуктами, которые вы храните. Мы рекомендуем вам хранить продукты, выбрав вариант с овощами, когда вы храните только овощи, вариант с фруктами, когда вы храните только фрукты, и вариант смешанных продуктов, когда вы храните смешанные продукты.

Мы рекомендуем не хранить овощи и фрукты в мешках, чтобы продлить срок хранения продуктов и получить больше пользы от системы контроля влажности. В случае хранения овощей в полиэтиленовых пакетах они очень быстро загнивают. Мы не рекомендуем хранить в закрытых пакетах, в частности, огурцы и брокколи. В ситуациях, когда контакт с другими овощами нежелателен, используйте упаковочные материалы, такие как бумага, которая имеет определенный уровень пористости с точки зрения гигиены.

При размещении овощей учитывайте конкретный вес каждого из видов: тяжелые и твердые овощи кладите на дно сосуда, а легкие и мягкие — сверху.

Не храните фрукты, которые выделяют газ с высоким содержанием этилена, например, груши, абрикосы, персики и особенно яблоки, в одном ящике для овощей вместе с другими видами овощей и фруктов. Газ этилен, выделяемый этими фруктами, может вызвать ускоренное созревание других овощей и фруктов и их загнивание в течение более короткого периода времени.

9.6 Подвижная полка корпуса

Полка с ручным перемещением на корпусе – это устройство, которое позволяет гибко использовать объем полок в холодильнике.

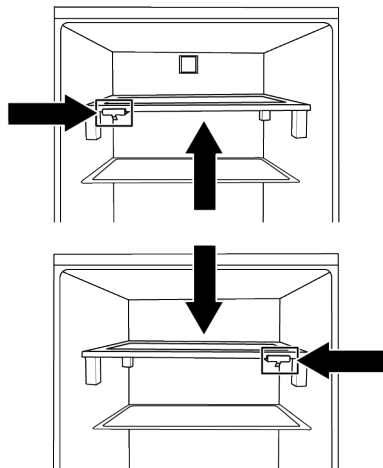
Если вы хотите поместить продукт, размер которого превышает размер между двумя полками в вашем холодильнике, перемещение полки с ручным перемещением на корпусе вправо, удерживая ее от ручки, показанной на рисунке, позволит вам переместить полку вверх.

Перемещая ручку вправо, вы можете увеличить объем полки с ручным перемещением на корпусе максимум на 45 мм.

Полка с ручным перемещением на корпусе может перемещаться при максимальной нагрузке 10 кг.

Если необходимо загрузить более 10 кг продуктов, ее следует использовать в качестве стационарной полки, аналогично другим полкам на корпусе. В этом

случае, если необходимо отрегулировать высоту полки, возьмите еду с полки, отрегулируйте положение полки по желанию, а затем загрузите еду. Максимальная нагрузка, которую полка может выдержать в неподвижном состоянии, составляет 40 кг.



10 Обслуживание и очистка



ПРЕДУПРЕЖДЕНИЕ:

Сначала прочтите раздел «Инструкции по технике безопасности».



ПРЕДУПРЕЖДЕНИЕ:

Перед чисткой отключите холодильник от сети.

- Не используйте острые или абразивные инструменты для очистки изделия. Не используйте такие материалы, как бытовые чистящие средства, мыло, моющие средства, газ, бензин, разбавитель, спирт, воск и т. д.
- Не реже одного раза в год (не открывая крышку) следует удалять пыль с вентиляционной решетки на задней стороне изделия. Протрите изделие сухой тканью.
- Будьте осторожны, не заденьте крышку лампы и другие электрические части.
- Протрите дверцу влажной тканью. Удалите все содержимое, чтобы снять дверные и корпусные стойки. Снимите дверные полки, подняв их вверх. Очистите и высушите полки, затем прикрепите их обратно, задвинув сверху.
- Не используйте хлорированную воду или чистящие средства на внешней поверхности и хромированных частях изделия. Хлор вызовет ржавчину на таких металлических поверхностях.
- Не используйте острые и абразивные инструменты, мыло, средства для уборки дома, моющие средства, газ, бензин, лак и подобные вещества, чтобы предотвратить деформацию пластмассовой детали и удаление отпечатков на ней. Для очистки используйте теплую воду и мягкую ткань, а затем вытрите насухо.
- На продуктах без функции No-Frost на задней стенке морозильного отделения могут образовываться капли воды

и обледенение толщиной до пальца. Не очищайте и никогда не наносите масла или аналогичные материалы.

- Для очистки внешней поверхности изделия используйте слегка смоченную ткань из микроволокна. Губки и другие чистящие средства могут поцарапать поверхность.
- Чтобы очистить все съемные компоненты во время очистки внутренней поверхности изделия, промойте эти компоненты мягким раствором, состоящим из мыла, воды и карбоната. Тщательно вымойте и высушите. Избегайте контакта воды с элементами освещения и панелью управления.



ВНИМАНИЕ:

Не используйте уксус, медицинский спирт или другие чистящие средства на спиртовой основе для очистки внутренних поверхностей.

Наружные поверхности из нержавеющей стали

Используйте неабразивное чистящее средство для нержавеющей стали и нанесите его мягкой безворсовой тканью. Для полировки аккуратно протрите поверхность тканью из микрофибры, смоченной водой, и используйте замшу для сухой полировки. Всегда следите за прожилками нержавеющей стали.

11 Устранение неисправностей

Проверьте этот список, прежде чем обращаться в службу. Так вы сэкономите время и деньги. Данный список включает в себя частые жалобы, которые не связаны с неправильным качеством изготовления и материалов. Некоторые функции, упомянутые здесь, могут не относиться к вашему холодильнику.

Холодильник не работает.

- Вилка питания не полностью вставлена. >>> Вставьте вилку, чтобы она целиком вошла в розетку.

Предотвращение запахов

Устройство не содержит материалов с запахом. Тем не менее, хранение пищевых продуктов в не предназначенных для них отделениях, а также ненадлежащая очистка поверхностей могут вызывать неприятные запахи.

- Чтобы этого не случилось, очищайте внутреннюю поверхность сатурированной водой каждые 15 дней.
- Храните продукты в герметичных контейнерах, так как микроорганизмы, возникающие из продуктов, хранящихся в негерметичных контейнерах, вызывают неприятный запах.
- Не храните в холодильнике испорченные или продукты с истекшим сроком хранения.



Чай - одно из самых эффективных средств для устранения запаха. Поместите мякоть заваренного чая в продукт в открытую емкость и уберите ее не позднее, чем через 12 часов. Если вы держите чайную мякоть внутри продукта более 12 часов, в ней будут собираться микроорганизмы, вызывающие запах, и она может стать источником самого запаха.

Защита пластиковых поверхностей

Попадание масел на пластиковую поверхность может повредить ее, поэтому следует незамедлительно очистить поверхность теплой водой.

- Предохранитель, подключенный к розетке, питающей устройство, или основной предохранитель, перегорел. >>> Проверьте предохранитель.

Конденсат на боковой стенке холодильного отделения (МУЛЬТИ ЗОНА, ХОЛОДИЛЬНАЯ, КОНТРОЛЬНАЯ и ФЛЕКСИ ЗОНА).

- Дверца открывается слишком часто. >>> Не открывайте дверцу холодильника очень часто.

- Окружающая среда слишком влажная. >>> Не помещайте холодильник во влажную среду.
- Продукты, содержащие жидкости, хранятся в незапечатанных держателях. >>> Продукты, содержащие жидкости, следует хранить в герметичных держателях.
- Дверца холодильника осталась открытой. >>> Не держите дверцы холодильника открытыми на протяжении длительного времени.
- Термостат установлен на очень низкую температуру. >>> Установите термостат на соответствующую температуру.

Компрессор не работает.

- В случае, если внезапно отключится питание или выйдет вилка из розетки и повторно включится, а давление газа в системе охлаждения устройства не балансируется, сработает тепловая защита компрессора. Холодильник перезапустится примерно через 6 минут. Если холодильник не перезапустится по истечении этого периода, обратитесь в службу.
- Размораживание активно. >>> Это нормально для полностью автоматического размораживания продукта. Размораживание проводится периодически.
- Устройство не подключено к сети. >>> Убедитесь, что шнур питания подключен.
- Неверная настройка температуры. >>> Выберите соответствующую настройку температуры.
- Электричество отключено. >>> Устройство продолжит нормально работать после восстановления питания.

Шум работы холодильника увеличивается во время использования.

- Эксплуатационные характеристики холодильника могут варьироваться в зависимости от изменений температуры окружающей среды. Это нормально и не является неисправностью.

Холодильник работает слишком часто либо слишком долго.

- Новое устройство может быть больше предыдущего. Более крупные устройства работают дольше.
- Температура в помещении возможно высокая. >>> Продукт обычно работает в течение длительного времени при более высокой комнатной температуре.
- Возможно, холодильник был недавно подключен к сети или в него помещен новые продукты питания. >>> Холодильнику нужно будет больше времени для достижения заданной температуры, если он недавно подключен к сети или в него помещен новые продукты питания. Это нормально.
- Возможно, в холодильник недавно было помещено большое количество горячей пищи. >>> Не помещайте горячую пищу в холодильник.
- Двери часто открывались или оставались открытыми в течение длительного времени. >>> Теплый воздух внутри приведет к тому, что холодильник будет работать дольше. Не открывайте двери слишком часто.
- Дверь морозильной камеры или холодильника возможно приоткрыта. >>> Убедитесь, что дверцы полностью закрыты.
- Возможно, температура холодильника слишком низкая. >>> Установите более высокую температуру и подождите, пока холодильник достигнет заданной температуры.
- Омыватель дверцы холодильника или морозильной камеры возможно загрязнен, изношен, сломан либо неверно установлен. >>> Очистите либо замените прокладку. Поврежденное/порванное устройство для мытья дверцы приведет к тому, что холодильник будет работать более длительное время для сохранения текущей температуры.

Температура морозильной камеры очень низкая, но температура охладителя достаточна.

- Температура морозильной камеры установлена на очень низком уровне. >>> Установите более высокую температуру в морозильной камере и проверьте очередной раз.

Температура охладителя очень низкая, но температура морозильной камеры достаточна.

- Температура в холодильной камере установлена на очень низком уровне. >>> Установите более высокую температуру в холодильной камере и проверьте очередной раз.

Продукты питания в ящиках холодильного отделения заморожены.

- Температура в холодильной камере установлена на очень низком уровне. >>> Установите более высокую температуру в холодильной камере и проверьте очередной раз.

Температура в холодильнике или морозильной камере слишком высокая.

- Температура в холодильной камере установлена на очень высоком уровне. >>> Настройка температуры в холодильном отсеке оказывает влияние на температуру в морозильном отсеке. Подождите, пока температура соответствующих деталей не достигнет достаточного уровня, изменив температуру холодильных или морозильных отсеков.
- Двери часто открывались или оставались открытыми в течение длительного времени. >>> Не открывайте дверцы слишком часто.
- Дверь, возможно, приоткрыта. >>> Полностью закройте дверь.
- Возможно, холодильник был недавно подключен к сети или в него помещены новые продукты питания. >>> Это нормально. Для достижения заданной температуры холодильнику потребуются больше времени, если он недавно был подключен к сети или в него помещен новый продукт питания.

- Возможно, в холодильник недавно было помещено большое количество горячей пищи. >>> Не помещайте горячую пищу в холодильник.

Тряска или шум.

- Поверхность не ровная и не прочная >>> Если холодильник трясется при медленном перемещении, отрегулируйте подставки, чтобы сбалансировать его. Также убедитесь, что поверхность достаточно прочная, чтобы выдерживать холодильник.
- Любые предметы, помещенные на холодильник, могут вызывать шум. >>> Удалите все предметы, помещенные на холодильник.
- Холодильник издает шум текущей, брызгающей жидкости и т.д.
- Принципы работы устройства включают потоки жидкости и газа. >>> Это нормально и не является неисправностью.

От холодильника доносится звук дующего ветра.

- Устройство использует вентилятор для процесса охлаждения. Это нормально и не является неисправностью.

На внутренних стенках устройства образуется конденсат.

- Жаркая или влажная окружающая среда приводит к увеличению обледенения и конденсации. Это нормально и не является неисправностью.
- Двери часто открывались или оставались открытыми в течение длительного времени. >>> Не открывайте дверца слишком часто; если они открыты, закройте.
- Дверь, возможно, приоткрыта. >>> Полностью закройте дверь.

На внешней поверхности устройства либо между дверями образуется конденсат.

- Окружающая среда, возможно, влажная, это вполне нормально. >>> Конденсат пройдет при снижении влажности.

Внутри неприятно пахнет.

- Холодильник не подвергается регулярной чистке. >>> Регулярно чистите внутренние поверхности с помощью губки, теплой и газированной воды.
- Некоторые контейнеры и упаковочные материалы могут вызывать неприятный запах. >>> Используйте контейнеры и упаковочные материалы без запаха.
- Продукты помещены в незапечатанные контейнеры. >>> Храните продукты в запечатанных контейнерах. Из незакрытых пищевых продуктов могут выделяться микроорганизмы, вызывающие неприятные запахи.
- Извлеките из холодильника все просроченные и испорченные продукты.

Дверь не закрывается.

- Пакеты с продуктами возможно блокируют дверь. >>> Сдвиньте все предметы, блокирующие двери.
- Холодильник не стоит в полностью вертикальном положении на земле. >>> Отрегулируйте подставки, чтобы сбалансировать продукт.
- Поверхность не ровная и не прочная >>> Убедитесь, что поверхность ровная и достаточно прочная, чтобы выдерживать изделие.

Контейнер для фруктов и овощей заклинило.

- Продукты питания, возможно, соприкасаются с верхней частью выдвижного ящика. >>> Переставьте продукты питания в ящике.

Температура на поверхности продукта.

- Высокая температура может наблюдаться между двумя дверями, на боковых панелях и на задней решетке во время работы вашего устройства. Это нормально и не требует обслуживания.

Вентилятор продолжает работать, когда дверца открыта.

- Вентилятор может продолжать работать, когда дверца морозильной камеры открыта.



ПРЕДУПРЕЖДЕНИЕ: Если проблема не устранена после выполнения инструкций в этом разделе, обратитесь к поставщику или в авторизованную службу. Не пытайтесь отремонтировать холодильник. Это нормально.