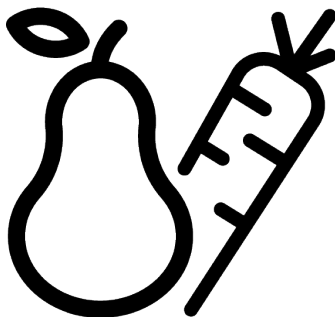


beko

Refrigerator / User Manual

Холодильник / Руководство по эксплуатации

Refrigerator / მომხმარებლის სახელმძღვანელო



RDNE510M20W_ RDNE510M20XBR

15 7550 0013/ EN/ RU/ KA/ AB/ 14.04.25 09:11
7293240710_7293240780



Please read this manual first!

Dear Customer

Thank you for choosing this Beko product.

We would like you to achieve the optimal efficiency from this high quality product which has been manufactured with state of the art technology. To do this, carefully read this manual and any other documentation provided before using the product.

Heed all information and warnings in the user manual. This way, you will protect yourself and your product against the dangers that may occur. Keep the user manual. Include this manual with the product if you hand it over to someone else.

The following symbols are used in the user manual and on the product:



Read the user manual.



Hazard that may result in death or injury.

Please scan the QR code on your appliance in order to reach more information

1 Safety Instructions

- This section includes the safety instructions necessary to prevent the risk of personal injury or material damage.
- Our company shall not be held responsible for damages that may occur if these instructions are not observed.
- Always have installation and repair operations performed by manufacturer, authorized service or a person who will be described by importer company.
- Use original spare parts and accessories only.
- Do not repair or replace any component of the product unless it is clearly specified in the user manual.
- Do not perform any modifications on the product.

1.1 Intention of Use

- This product is not suitable for commercial use and should not be used for a purpose other than its intended use.
- This product is intended for operating interiors, such as households or similar.

For example;

In the staff kitchens of the stores, offices and other working environments,

In farm houses,
In the units of hotels, motels or other resting facilities that are used by the customers,

In hostels, or similar environments,

In catering services and similar non-retail applications.

- This product shall not be used in open or enclosed external environments such as vessels, camper vans, balconies or terraces. Exposing the product to rain, snow, sunlight and wind may cause risk of fire.

1.2 Safety of Children, Vulnerable Persons and Pets

- This product may be used by children aged 8 years and older and persons with underdeveloped physical, sensory or mental capabilities or lack of experience and knowledge if they are being supervised or have been given instruction concerning use of the appliance in a safe way and the hazards involved.
- Children between 3 and 8 years are allowed to put and take out food into/from the cooler product.

- Children and pets must not play with, climb on, or get inside the product.
- Children and pets must be kept away from the cabin area (compressor) where electrical parts are located.
- Cleaning and user maintenance must not be performed by children unless there is someone overseeing them.
- Keep the packaging materials away from children. Risk of injury and suffocation.
- If there is a lock available on the product's door, keep the key out of children's reach.
- not be bent, crushed, and come into contact with any heat source.
- Use an original cable only. Do not use cut or damaged cables.
- Do not use an extension cord, multi-plug or adaptor to operate your product.
- Portable multi-plugs or portable power supplies may overheat and cause fire. Thus, do not have a multi-plug, portable power sources behind or in the vicinity of the product.
- Before plugging the product into the power source, please remove the power cable from the condenser hook (if available) during the installation.

1.3 **Electrical Safety**

- The product shall not be plugged into the outlet during installation, maintenance, cleaning, repair, and transportation operations.
- If the power cable is damaged, it must be replaced by the person sent by the manufacturer, authorized service provider or the importer to prevent any potential danger.
- Do not tuck the power cable under the product or to the rear of the product. Do not put heavy items on the power cable. The power cable should
- The user should not be able to reach the electrical parts after installation.
- Do not plug the product's power cord in a loose or damaged power outlet. These types of connections may overheat and cause fire.
- The plug shall be easily accessible. If this is not possible, a mechanism that meets the electrical legislation and that disconnects all terminals from the mains (fuse, switch, main switch, etc.) shall be available on the electrical installation.

- The product must not be operated with an external switching device such as a timer, or a remote controlled system.
- Do not use the product when your feet are bare or your body is wet.
- Do not touch the plug with wet hands.
- When unplugging the appliance, don't hold the power cable, but the plug.
- Make sure that the plug is not wet, dirty or dusty.
- Do not ever connect your product to power saving devices. These systems are harmful for the product.

 **1.4 Handling Safety**

- Make sure to unplug the appliance before carrying the product.
- This product is heavy, do not handle it by yourself. Injuries may occur if the product falls on you. Do not bump into places or drop the product while transporting it.
- Always close the doors and do not hold the product by its doors while transporting it.
- Be careful not to damage the cooling system and the pipes while handling the product. Do

not operate the product if the pipes are damaged, and contact an authorized service.

 **1.5 Installation Safety**

- To prepare the product for use, see the information in the user and installation manual and make sure the electric and water utilities are as required. If not, call a qualified electrician and plumber to arrange the utilities as necessary.
- **Failure to do so may result in electric shock, fire, problems with the product, or injury.**
- Before starting the installation, switch off the fuse to de-energise the power line to which the product is connected.
- The product should be installed by two or more people. Use protective gloves while removing the product from the packaging and installation.
- This product is designed for use at a maximum altitude of 2000 metres above sea level.
- Keep children away from installation area.
- Check for any damage on the product before installing it. Do not have the product installed if it is damaged.

- Always use personal protective equipment (gloves, etc.) during product installation, maintenance and repair. Risk of injury.
- Do not install or leave the product in places where it may be exposed to external ambient temperatures.
- Place the product on a clean, level and hard surface and balance it with the adjustable legs (by rotating the front feet to the right or left). Otherwise, the refrigerator may tip over and cause injuries.
- Proceed with care to prevent causing any damage to the floors (tiling etc.) while moving the product. Install the product on a floor, or provide sufficient support depending on the size, weight and the use-case of the product. Ensure that the product is not near a heat source, and all four feet are stable and leaning against the floor. Install the product as necessary, and ensure that it is horizontal, using a bubble level. To ensure the complete efficiency of the refrigerant circuit, wait for at least two hours before operating the product.
- The product shall be installed in a dry and ventilated environment. Do not keep carpets, rugs or similar covers under the product. This may cause risk of fire as a result of inadequate ventilation!
- Do not block or cover ventilation holes. Otherwise, power consumption increases and your product may be damaged.
- Leave sufficient space by the sides and above to ensure adequate ventilation. The gap between the back panel and the wall behind the product must be a minimum of 50mm in order to prevent hot surfaces. Reducing this distance may increase the energy consumption of product.
- When placing the product, make sure that the supply cable is not damaged or pinched.
- The product must not be connected to supply systems and power sources which may cause sudden voltage changes (i.e. a portable solar-energy power source). Otherwise, damage to your product may occur as a result of the abrupt voltage fluctuations!
- The more refrigerant a refrigerator contains, the bigger its installation room shall be. In very small rooms, a flammable gas-air mixture may occur in case of a gas leak in the cooling system. At least 1 m³ of

volume is required for each 8 grams of refrigerant. The amount of the refrigerant available in your product is specified in the Type Label.

- The product must never be placed in such a way that power cables, the metal hose of the gas stove, metal gas or water pipes come into contact with the product's rear wall (or the condenser).
- The installation place of the product must not be exposed to direct sunlight and it shall not be in the vicinity of a heat source such as stoves, radiators, etc. If you cannot prevent installation of the product in the vicinity of a heat source, use a suitable insulation plate and make sure the minimum distance to the heat source is as specified below:
 - At least 30 cm away from heat sources such as stoves, ovens, heating units and heaters, etc.,
 - And at least 5 cm away from electrical ovens.
- Your product has the protection class of I.
- Plug the product in a grounded socket that conforms with the Voltage, Current and Frequency values specified in the type label. The socket must have a 10A – 16A fuse. Our firm will not assume responsibility for any damages due to usage without earthing and without power connection in compliance with local and national regulations.
- The product's power cable must be unplugged during installation. Otherwise, risk of electric shock and injury may occur!
- Do not plug the product to loose, broken, dirty, greasy sockets or sockets that have come out of their seats or sockets with a risk of water contact. These types of connections may overheat and cause fire..
- Place the power cable and hoses (if any) of the product so that they shall not cause a risk of tripping over.
- Penetration of humidity and liquid to live parts or to the power cord may cause short circuit. Thus, do not use the product in humid environments or in areas where water may splash (e.g. garage, laundry room, etc.) If the refrigerator is wet by water, unplug it and contact an authorized service.

- Do not ever connect your refrigerator to power saving devices. These systems are harmful for the product.
- There is a risk of contact with electrical parts when removing the electronic board cover and the compressor rear cover (if fitted). Do not remove the electronic board cover and the compressor rear cover (if fitted). There is a risk of electrocution!

1.6 Operational Safety

- Do not ever use chemical solvents on the product. These materials contain an explosion risk.
 - In case of a failure of the product, unplug it (or de-energise the fuse to which it is connected), and do not operate until it is repaired by the authorized service. There is a risk of electric shock!
 - Do not place flames (lighted candle, cigarette, etc.) or heat sources (iron, hob, oven, etc.) on or near the product. Do not place flammable/explosive materials near the product...
 - Do not get on the product. Risk of falling and injury!
 - Do not cause damage to the pipes of the cooling system using sharp and piercing tools.
- The refrigerant that sprays out in case of puncturing the gas pipes, pipe extensions or upper surface coatings may cause irritation of skin and injury to the eyes.
- Do not intervene in or damage the coolant circuit Risk of explosion.
 - Do not place and operate electrical appliances inside the refrigerator/freezer unless it is advised by the manufacturer.
 - Do not use any procedures other than those recommended by the manufacturer to speed up defrosting.
 - Take due care not to jam any parts of your hands or your body to the moving parts inside the product. Be careful to prevent jamming of your fingers between the refrigerator and its door. Be careful while opening or closing the door if there are children around.
 - Do not put ice cream, ice cubes or frozen food to your mouth as soon as you take them out of the freezer. Risk of frostbite!
 - Do not touch the inner walls, metal parts of the freezer or food kept inside the freezer with wet hands. Risk of frostbite!

- Do not place soda cans or cans and bottles that contain fluids that may be frozen to the freezer compartment. Cans or bottles may explode. Risk of injury and material damage!
- Do not use or place materials sensitive against temperature such as flammable sprays, flammable objects, dry ice or other chemical agents in the vicinity of the refrigerator. Risk of fire and explosion!
- Do not store explosive materials such as aerosol cans with flammable materials inside the product.
- Do not place cans containing fluids over the product an open state. Splashing of water on an electrical part may cause an electric shock or a fire.
- Due to risk of breaking, do not store glass containers with liquid inside in the freezer compartment.
- This product is not intended for storage and cooling of medicines, blood plasma, laboratory preparations or similar materials and products that are subject to the Medical Products Directive.
- If the product is used against its intended purpose, it may cause damage to or deterioration of the products stored inside.
- If your refrigerator is equipped with blue light, do not look at this light with optical devices. Do not stare directly at UV LED light for a long time. Ultraviolet rays may cause eye strain.
- Do not fill the product with more contents than its capacity. Do not use any procedures other than those recommended by the manufacturer to speed up defrosting. Injuries or damages may occur if the contents of the refrigerator fall when the door is opened. Similar problems may also occur when an object is placed over the product.
- Ensure that you have removed any ice or water that may have fallen to the floor to prevent injuries.
- Change the locations of the racks/bottle racks on the door of your refrigerator only when the racks are empty. Danger of injury!
- Do not place objects that may fall/tip over on the product. These objects may fall while

opening or closing the door and cause injuries and/or material damages.

- Do not hit or exert excessive pressure on glass surfaces. Broken glass may cause injuries and/or material damages.
- For products designed to use an air filter inside an accessible fan cover, the filter must always be in position when the refrigerator is in function.
- Do not block out the fan (if available) with food.
- Damaged gaskets should be replaced as soon as possible.
- Your product may have special compartments (Fresh Food Compartment, Zero Degrees Compartment etc.) Unless otherwise stated in the relevant manual of the product, these compartments can be removed, and the product can be used with the same performance.
- The cooling system in your product contains R600a refrigerant. The refrigerant type used in the product is specified in the type label. This gas is flammable. Therefore, be careful not to damage the cooling system and the pipes while operating the product. In case of damage to the pipes;
 1. Do not touch the product or the power cable.
 2. Keep the product away from potential sources of fire that may cause the product to catch fire.
 3. Ventilate the area where the product is placed. Do not use a fan.
 4. Contact Authorized Service.Before disposing of old products that shall not be used any more:
 1. Unplug the power cord from the mains socket.
 2. Cut the power cable and remove it from the appliance together with the plug.
 3. Do not remove the racks and drawers from the product to prevent children from getting inside the appliance.
 4. Remove the doors.
 5. Store the product so that it shall not be tipped over.
 6. Do not allow children to play with the scrapped product.
 7. If the product is damaged and you observe gas leak, please stay away from the gas. Gas may cause frostbite if it contacts your skin.
- Do not dispose of the product by throwing it into fire. Risk of explosion.
- If there is a lock available on the product's door, keep the key out of children's reach.

1.7 Food Storage Safety

Please pay attention to the following warnings to avoid food spoilage:

- Leaving the doors open for a long time may cause the temperature inside the product to rise.
 - Regularly clean the accessible drainage systems in contact with food.
 - Clean the water tanks that have not been used for 48 hours and mains-fed water systems that have not been used for more than 5 days.
 - Store raw meat and fish products in appropriate compartments within the product. Thus, it does not drip on or come into contact with other foods.
 - Two-star freezer compartments are used for storing pre-filled foods, making and storing ice and ice cream.
 - One, two and three-star compartments are not appropriate for freezing fresh food.
 - If the cooling product has been left empty for a long time, turn off the product, defrost, clean, and dry the product in order to protect the housing of the product.
- After the foods are placed, check if the compartment hatches, and especially the freezer door, are properly closed.
 - Use the refrigerator compartment for storing fresh foods, and the freezer compartment for storing frozen goods, freezing fresh foods and preparing ice cubes.
 - Do not store foods without properly sealing them in the refrigerator and the freezer compartments, to prevent direct contact with the inner surfaces.

1.8 Maintenance and Cleaning Safety

- Unplug the refrigerator or de-energise the fuse before cleaning it or starting to perform maintenance.
- Do not pull by the door or door handle if you are going to move the product for cleaning purposes. The door may cause injuries if the handle is pulled too hard.
- Do not place hands, feet or metal objects under or behind your product. Jamming may occur or any sharp edge may cause personal injuries.

- Do not wash the inside or outside of the product with a pressure washer, steam, spray water or pouring water. Risk of electric shock and fire.
- When cleaning the product, do not use sharp and abrasive tools or household cleaning agents, detergent, gas, gasoline, thinner, alcohol, varnish, and similar substances. Use only cleaning and maintenance agents that are not harmful for food inside the product.
- Do not use paper towels, kitchen sponges or other hard cleaning materials.
- Do not ever use steam or steamed cleaning materials for cleaning the product and thawing the ice inside it. Steam contacts the live areas in your refrigerator and causes short circuit or electric shock.
- Do not use any mechanical tools or any other tools than the recommendations of the manufacturer to speed up the thawing operation.
- Take care to keep water away from the ventilation holes, electronic circuits or lighting of the product. Otherwise, risk of fire or electric shock may occur.
- Use a clean, dry cloth to wipe the dust or foreign material on the tips of the plugs. Do not use a wet or damp piece of cloth to clean the plug. Otherwise, risk of fire or electric shock may occur.

1.9 Lighting

Contact an authorized service when you shall replace the LED / bulb using for lighting.

1.10 Disposal of the Old Product

When disposing of your old product follow the instructions below:

- To prevent children from accidentally locking themselves into the product, if there is door lock, disable it.
- Splash of coolant is harmful to the eyes. Do not damage any part of the cooling system while disposing of the product.
- It may be fatal if the compressor oil is swallowed or if it penetrates the respiratory tract.
- Cooling system of your product includes R600a gas as specified in the type label. This gas is flammable. Do not dispose of the product by throwing it into fire. Risk of explosion!

- C -Pentane is used as a blowing agent in insulation foam and it is a flammable substance. Do not dispose of the product by throwing it into fire.

2 Environmental Instructions

2.1 Compliance with the WEEE Directive and Disposing of the Waste Product



This product complies with EU WEEE Directive (2012/19/EU). This product bears a classification symbol for waste electrical and electronic equipment (WEEE).

This symbol indicates that this product shall not be disposed with other household wastes at the end of its service life. Used device must be returned to official collection point for recycling of electrical and electronic devices. To find these collection systems please contact to your local authorities or retailer where the product was purchased. Each household performs important role in recovering and recycling of old appliance. Appropriate disposal of used appliance helps prevent potential negative consequences for the environment and human health.

Compliance with RoHS Directive

The product you have purchased complies with EU RoHS Directive (2011/65/EU). It does not contain harmful and prohibited materials specified in the Directive.

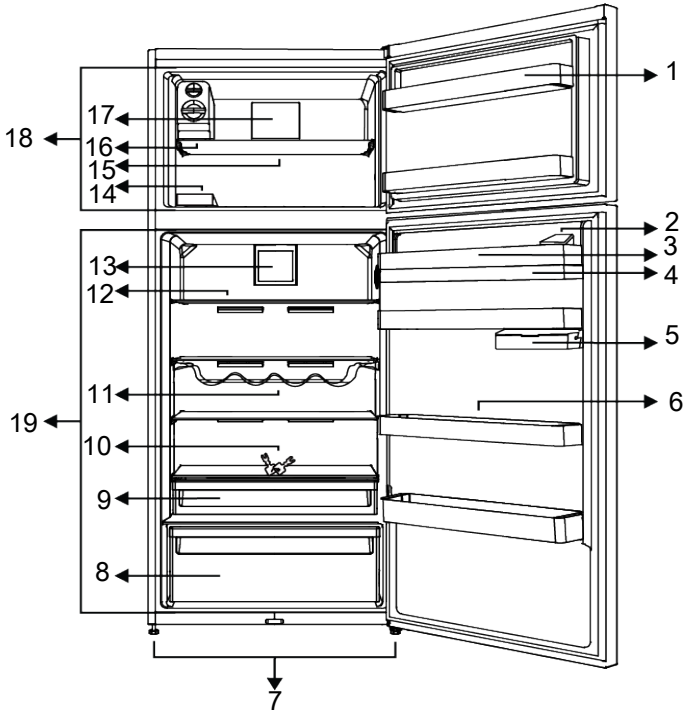


Package information

Packaging materials of the product are manufactured from recyclable materials in accordance with our National Environment Regulations. Do not dispose of the packaging materials together with the domestic or other wastes. Take them to the packaging material collection points designated by the local authorities.

CE Conformity with standards and test information / Declaration of EC conformity

Development, manufacture and sales stages of this product conform to the safety rules in all relevant guidelines of the European Community. 2014/35/EU, 2014/30/EU, 93/68/EC, IEC 60436/DIN 44990, EN 50242



- | | |
|---------------------------------------|-------------------------------------|
| 1 *Freezer compartment door shelf | 2 * Water dispenser filling tank |
| 3 * Cooler compartment door shelf | 4 * Water dispenser reservoir |
| 5 *Storage container under door shelf | 6 * Movable door shelf |
| 7 Adjustable legs | 8 *Crisper |
| 9 * Zero degree compartment | 10 * Lock and Key |
| 11 *Bottle shelf | 12 * Cooler compartment glass shelf |
| 13 Fan | 14 * Ice Container |
| 15 Freezer compartment shelf | 16 * Ice making capacity |
| 17 Fan | 18 Freezer compartment |
| 19 Cooler compartment | |

***Optional:** Figures in this user manual are schematic and may not exactly match your product. If your product does not comprise the relevant parts, the information pertains to other models.

4 Installation

Read the "Safety Instructions" first!

4.1 Right Place For Installation

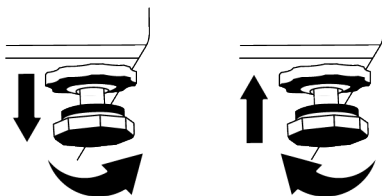
Contact the Authorized Service for the product's installation. To prepare the product for installation, see the information in the user manual and make sure the electric and water utilities are as required. If not, call an electrician and plumber to arrange the utilities as necessary.

- Place the product on a flat surface to avoid vibration
- Place the product at least 30 cm away from the heater, stove and similar sources of heat and at least 5 cm away from electric ovens.
- When placing two coolers in adjacent position, leave at least 4 cm distance between the two units.
- Keep the product out of direct sunlight and in a dry place.
- Your product requires adequate air circulation to function efficiently. If you place the product in an alcove, remember to leave at least 5 cm clearance between the product and the ceiling, rear wall and the side walls.
- Check if the rear wall clearance protection component is present at its location (if provided with the product).

- If the component is not available, or if it is lost or fallen, position the product so that at least 5 cm clearance shall be left between the rear surface of the product and the wall of the room. The clearance at the rear is important for efficient operation of the product.

4.2 Adjusting the Legs

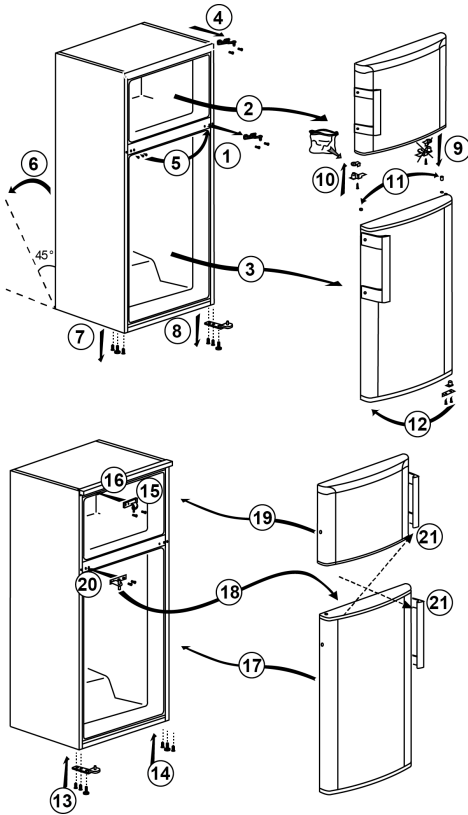
If the product is not in balanced position, adjust the front adjustable legs by rotating them to right or left.



4.3 Hot Surface Warning

The side walls of your product are equipped with cooler pipes to enhance the cooling system. High pressure fluid may flow through these surfaces, and cause hot surfaces on the side walls. This is normal and it does not require servicing.

5 Changing Door Direction



6 Preparation

Read the "Safety Instructions" first!

6.1 What To Do For Energy Saving

- This refrigerating appliance is not intended to be used as a built in appliance.
- When loading the food, leave enough space inside the refrigerator to allow sufficient air circulation for cooling.
- Since hot and humid air will not directly penetrate into your product when the doors are not opened, your product will optimize itself in conditions sufficient to protect your food. Under these circumstances, functions and components such as compressor, fan, heater, defrost, lighting, display and so on will operate according to the needs by consuming minimum energy.

- In case that multiple options are present, glass shelves must be placed so that the air outlets at the rear wall are not blocked and preferably, in a way that air outlets remain below the glass shelf. This combination may help improving air distribution and energy efficiency.
- Store food in the cooler or chill compartment according to proper storage conditions to save energy.

6.2 First Use

Before using your product make sure the necessary preparations are made in line with the instructions in "Safety Instructions" and "Installation" sections.

- Wait for at least 2 hours before operating the product, to ensure the complete efficiency of refrigeration.
- Keep the product running without placing any food inside for 6 hours and the product door should be kept as closed as possible.
- The temperature change caused by opening and closing of the door while using the product may normally lead to condensation on door/body shelves and glassware placed in the product.
- A sound will be heard when the compressor is engaged. It is normal for the product to make noise even if the compressor is not running, as fluid and gas may be compressed in the cooling system.
- It is normal for the front edges of the product to be warm. These areas are designed to warm up in order to prevent condensation
- For some models, indicator panel turns off automatically 1 minute after the door closes. It will be reactivated when the door is opened or any button is pressed.

6.3 Climate Class and Definitions

Please refer to the Climate Class on the rating plate of your device. One of the following information is applicable to your device according to the Climate Class.

- **SN:** Long Term Temperate Climate: This cooling device is designed for use at ambient temperatures between 10 °C and 32 °C.
- **N:** Temperate Climate: This cooling device is designed for use at ambient temperatures between 16°C and 32 °C.
- **ST:** Subtropical Climate: This cooling device is designed for use at ambient temperatures between 16°C and 38°C.
- **T:** Tropical Climate: This cooling device is designed for use at ambient temperatures between 16°C and 43°C.

7 Using The Product



Read the "Safety Instructions" section first!

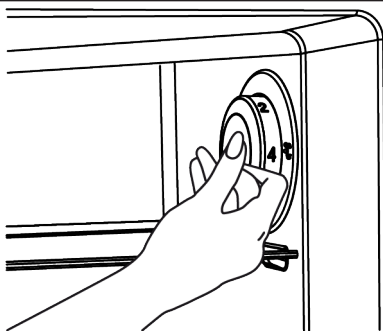
7.1 Using The Product

Temperature adjustment button

- Read the "Safety Instructions" first.

Shown functions are optional, there may be differences of shape and location in functions found on your appliance's indicator panel.

Auditory and visual functions on the indicator panel will assist you in using the refrigerator.



Internal temperature of your refrigerator changes because of the reasons mentioned below:

Season temperatures,

Opening the door frequently and leaving it open for a long time,

The meals that are placed in the refrigerator in a hot state without being reduced to the room temperature,

The location of the refrigerator in the room (like being exposed to the sun heat)

You can adjust the internal temperature which changes due to these reasons via adjustment knob.

The numbers around the adjustment knob show temperature degrees as "°C".

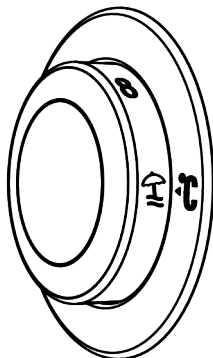
If the ambient temperature is 25°C, it is recommended to use the temperature adjustment knob of the refrigerator at the position of 4°C. At other ambient temperatures, this value can be increased or decreased according to the needs.

Vacation function

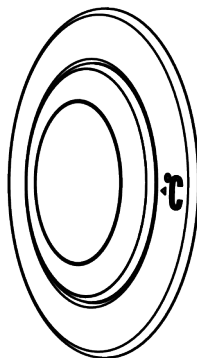
When you turn the pipe into the vacation function, the vacation mode will be activated.

In order to cancel the function, the knob adjustment should be changed.

When the vacation function is active, it is not recommended to store food in the cooler compartment.



After completing the adjustment, you can hide the temperature adjustment knob by pushing the knob in.



7.2 Storing Food in the Freezer and Cooler Compartment

Storing food in the freezer compartment

- You can activate Quick Freezing function 4-6 hours before freezing function and perform a faster cooling.
- Bring hot meals to the room temperature before placing them in the freezer compartment.
- Foods to be frozen must be divided into portions according to a size to be consumed, and frozen in separate packages.
- It is recommended to pack the foods before placing them in the freezer.
- In order to prevent expiration of storage time, write the freezing date, time and name of the product on the package according to the storage times of different foods.
- Consume the foods you have defrosted quickly. Defrosted foods cannot be frozen again unless they are cooked. It is not safe to consume the refrozen fresh foods without cooking after they are defrosted.
- As you freeze fresh foods, do not bring them in contact with already frozen foods. Otherwise, frozen foods will be defrosted.

Storing the foods, which are sold frozen

- When storing food, follow the time periods specified in these instructions.

- In order to protect the quality of the food, keep the time interval between purchasing transaction and storing as short as possible.
- Buy frozen food which are stored at -18°C or lower temperatures.
- Avoid buying foods whose packages are covered with ice etc. This means that the product could be partially defrosted and refrozen. Temperature impacts the quality of the food.
- Do not exceed the storing time recommended by the food producer. Remove only the food as much as you need from the freezer.
- Except the cases where extreme circumstances are available in the environment, if your product (on the recommended set values table) is set to the specified set values, the food keep their freshness for a longer time both in the fresh product compartment and freezer compartment.
- If fresh food compartment is set to a lower temperature, fresh fruits and vegetables may be partially frozen.

Recommended set values table

Freezer details

As per the IEC 62552 standards, the freezer must have the capacity to freeze 4,5 kg of food items at -18°C or lower temperatures at 25°C room temperature in 24 hours for each 100 litres of freezer compartment volume.

Food products can only be preserved for extended periods at or below temperature of -18°C .

You can keep the foods fresh for months (in freezer at or below temperatures of -18°C).

The food products to be frozen must not contact the already-frozen food inside to avoid partial defrosting.

Boil the vegetables and filter the water to extend the frozen storage time. Place the food in air-tight packages after filtering and place in the freezer. Bananas, tomatoes, lettuce, celery, boiled eggs, potatoes and similar food items should not be frozen. In

case these foods are frozen, only nutritional values and eating qualities will be negatively affected. A rotting that would threaten human health is not in question.

Placing the food

Freezer compartment shelves: Different frozen foods like meat, fish, ice cream, vegetables etc.

Cooler compartment shelves: Food items inside pots, capped plate and capped cases, eggs (in closed case)

Cooler compartment door shelves: Small and packaged food or beverages

Crisper: Vegetables and fruits

Fresh food compartment: Delicatessen (breakfast food, meat products to be consumed in short time)

Storing food in the cooler compartment

- Compartment temperatures rise prominently if compartment door is opened and closed frequently and kept open for a long time, this can reduce the life span of the food and cause the food to spoil.
- In order not to cause odour and taste changes, the food should be stored in the closed containers.
- Do not store too much food in your refrigerator. To achieve a better and homogeneous cooling, place the food separately in a way that cold air can wander through them.
- Provide air flow by leaving a space between the food and internal wall. If you lean the food against the rear wall, the food may freeze.
- Bring cooked hot meals to the room temperature before placing them in the refrigerator. Then, you can place the tepid meal in the lower shelves of your refrigerator. Do not place the tepid meals close to the foods which may easily spoil.
- Defrost your frozen food in the fresh food compartment. Thereby, you can cool fresh food compartment by using frozen food and save energy.
- Storing unripe tropical fruits (mango, melon varieties, papaya, banana, pineapple) in the refrigerator may speed up

the ripening process. This is not recommended because it will cause shorter storage time.

- You should store onions, garlands, ginger and other root vegetables in dark and cold room conditions, not in the refrigerator.
- If you notice that a food has spoiled in the refrigerator, throw away that food and clean the accessories which have come into contact with it.
- In order to cool the meals like soups and stews, which are cooked in the large pots, quickly, you can put them in the refrigerator by separating them into their own shallow containers.
- Do not place unpackaged food close to eggs.
- Keep the fruits and vegetables separately and store each variety together (for example; apples with apples, carrots with carrots).

- Take green vegetables out of the plastic bag and place them in the refrigerator after wrapping them in a paper towel or drying cloth. If you wash this type of food before placing them in the refrigerator, remember to dry them.
- You can both create a damp environment and provide an air flow by keeping fruits and vegetables, which are prone to drying, in the perforated or unsealed plastic bags.
- Except the cases where extreme circumstances are available in the environment, if your product (on the recommended set values table) is set to the specified set values, the food keep their freshness for a longer time both in the fresh product compartment and freezer compartment.

Store different food in different places according to their properties.

Food	Location
Egg	Door Shelf
Dairy products (butter, cheese)	If available, zero degree (for breakfast food) compartment
Fruits, vegetables and greenery	Fruit-vegetable compartment, crisper or EverFresh+ compartment (if available)
Fresh meat, poultry, fish, sausage etc. Cooked foods	If available, zero degree (for breakfast food) compartment
Ready to serve foods, packaged products, canned foods and pickles	Top shelves or door shelf
Beverages, bottles, spices and snacks	Door Shelf

7.3 Door Open Alert

The door open alert system of your refrigerator may differ depending on the model.

Version 1;

If the door of the product remains open for a certain time (between 60 s and 120 s), an audio warning signal sounds; depending on the product model, a visual warning signal (light flash) can also be displayed. If you close the door of the device or press a button on the screen of the device, if any, the warning sound will stop.

Version 2;

If the door of the device remains open for a certain period of time (between 60 s and 120 s), the door open alert is sounded. The door open alert is sounded gradually. First, an audible warning starts to sound. After 4 minutes, if the door is still not closed, a visual warning (lighting flash) is activated. The door open alert will be delayed for a certain period of time (between 60 s and 120 s) when any key on the product screen, if any, is pressed. Then the process will start again. When the device door is closed, the door open alert will be cancelled.

8 Product Features

8.1 Crisper Technologies

Blue Light

Fruits and vegetables stored in the crispers that are illuminated with a blue light continue their photosynthesis by means of the wavelength effect of blue light and thus preserve their vitamin content.

HarvestFresh

Fruits and vegetables stored in crispers illuminated with the HarvestFresh technology preserve their vitamins for a longer time thanks to the blue, green, red lights and dark cycles, which simulate a day cycle.

When the door of your refrigerator is opened during the dark period of the HarvestFresh technology, your refrigerator shall sense this automatically and illuminate the crisper with one of the blue, green or red lights respectively for your convenience. After you have closed the door of the refrigerator, the dark period will continue, representing the night time in a day cycle.

8.2 The ice storage area

Ice Container

Ice bucket allows you take ice easily from the refrigerator.

Using the ice bucket

1. Take the ice bucket out of the freezer compartment.
2. Fill the ice bucket with water.
3. Place the ice bucket into the freezer compartment. The ice will be ready after approximately two hours.

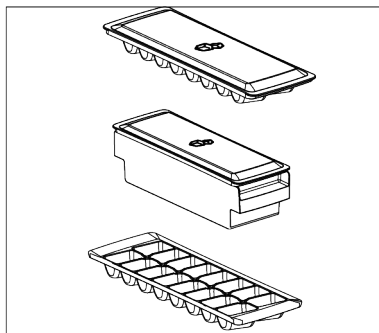
9 Maintenance and Cleaning

Read the "Safety Instructions" first!

Before cleaning your product, unplug it or de-energize the fuse to which it is connected.

Do not place your hands, feet or metal objects under the refrigerator or between the refrigerator and the floor for whatsoever reason. Jamming may occur or any sharp edge may cause personal injuries.

4. Take the ice bucket from the freezer compartment and bend in slightly over the holder that you are going to serve. Ice will easily pour into the serving holder.



8.3 Egg holder

You can place the egg holder on the door or body shelf you wish.

If the egg holder is to be placed on the body shelf, we recommend you to choose colder lower shelves.

- Never place the egg holder on the freezer compartment.

8.4 Crisper

The refrigerator's crisper is designed to keep vegetables fresh by preserving their humidity. For this purpose, the overall cold air circulation is intensified in the crisper. Keep fruits and vegetables in this compartment. Keep the green-leaved vegetables and fruits separately to prolong their life.

- Do not use sharp or abrasive tools to clean the product. Do not use materials such as household cleaning agents, soap, detergents, gas, gasoline, thinner, alcohol, wax, etc.
- The dust shall be removed from the ventilation grill on the rear of the product at least once a year (without opening the cover). Clean the product with a dry cloth.

- Take care to keep water away from the lamp's cover and other electrical parts.
- Clean the door with a damp cloth. Remove all contents to remove the door and body racks. Remove the door racks by lifting them upwards. Clean and dry the shelves, then attach back in place by sliding from above.
- Do not use chlorinated water or cleaning products on the exterior surface and chrome coated parts of the product. Chlorine will cause rust on such metallic surfaces.
- Do not use sharp and abrasive tools, soap, house cleaning materials, detergents, gas, gasoline, varnish and similar substances to prevent deformation of and removal of prints on the plastic part. Use warm water and a soft cloth for cleaning, and then dry it.
- On the products without a No-Frost feature, water droplets and icing up to a thickness of a finger may occur on the rear wall of the cooler compartment. Do not clean, and never apply oils or similar materials.
- Use only a mildly dampened micro-fibre cloth to clean the external surface of the product. Sponges and other types of cleaning clothes may cause scratches.
- To clean all removable components during the cleaning of the interior surface of the product, wash these components

with a mild solution consisting of soap, water and carbonate. Wash and dry thoroughly. Prevent contact of water with illumination components and the control panel.

- Do not use vinegar, rubbing alcohol or other alcohol based cleaning agents on any interior surface.

Stainless Steel External Surfaces

Use a non-abrasive stainless steel cleaning agent and apply it with a soft lint-free cloth. To polish, gently wipe the surface with a micro-fibre cloth dampened with water and use dry polishing chamois. Always follow the veins of the stainless steel.

Preventing Odours

The product is manufactured free of any odorous materials. However, inappropriately storing food and improper cleaning of internal surfaces may lead to odours.

- To avoid this, clean the inside with carbonated water every 15 days.
- Keep the foods in sealed holders, as micro-organisms arising from foods kept in unsealed containers will cause bad odour.
- Do not keep expired and spoilt foods in the refrigerator.

Protecting Plastic Surfaces

Oil spilled on plastic surfaces may damage the surface and must be cleaned immediately with warm water.

10 Troubleshooting

Read the "Safety Instructions" first!

Check this list before contacting the service. Doing so will save you time and money. This list includes frequent complaints that are not related to faulty workmanship or materials. Certain features mentioned herein may not apply to your product.

If the problem persists after following the instructions in this section, contact your vendor or an Authorized Service. Do not try to repair the product.

The refrigerator is not working.

- The power plug is not fully settled. >>> Plug it in to settle completely into the socket.
- The fuse connected to the socket powering the product or the main fuse is blown. >>> Check the fuse.

Condensation on the side wall of the cooler compartment (MULTI ZONE, COOL CONTROL and FLEXI ZONE).

- The door is opened too frequently. >>> Take care not to open the product's door too frequently.

- The environment is too humid. >>> Do not install the product in humid environments.
- Foods containing liquids are kept in unsealed holders. >>> Keep the foods containing liquids in sealed holders.
- The product's door is left open. >>> Do not keep the product's door open for long periods.
- The thermostat is set to a very cool temperature. >>> Set the thermostat to an appropriate temperature.

Compressor is not working.

- In case of sudden power failure or pulling the power plug off and putting back on, the gas pressure in the product's cooling system is not balanced, which triggers the compressor thermic safeguard. The product will restart after approximately 6 minutes. If the product does not restart after this period, contact the service.
- Defrosting is active. >>> This is normal for a fully-automatic defrosting product. The defrosting is carried out periodically.
- The product is not plugged in. >>> Make sure the power cord is plugged in.
- The temperature setting is incorrect. >>> Select the appropriate temperature setting.
- The power is out. >>> The product will continue to operate normally once the power is restored.

The refrigerator's operating noise is increasing while in use.

- The product's operating performance may vary depending on the ambient temperature variations. This is normal and not a malfunction.

The refrigerator runs too often or for too long.

- The new product may be larger than the previous one. Larger products will run for longer periods.
- The room temperature may be high. >>> The product will normally run for long periods in higher room temperature.

- The product may have been recently plugged in or a new food item is placed inside. >>> The product will take longer to reach the set temperature when recently plugged in or a new food item is placed inside. This is normal.
- Large quantities of hot food may have been recently placed into the product. >>> Do not place hot food into the product.
- The doors were opened frequently or kept open for long periods. >>> The warm air moving inside will cause the product to run longer. Do not open the doors too frequently.
- The freezer or cooler door may be ajar. >>> Check that the doors are fully closed.
- The product may be set to a temperature that is too low. >>> Set the temperature to a higher degree and wait for the product to reach the adjusted temperature.
- The cooler or freezer door washer may be dirty, worn out, broken or not properly settled. >>> Clean or replace the gasket. Damaged / torn door washer will cause the product to run for longer periods to preserve the current temperature.

The freezer temperature is very low, but the cooler temperature is adequate.

- The freezer compartment temperature is set to a very low degree. >>> Set the freezer compartment temperature to a higher degree and check again.

The cooler temperature is very low, but the freezer temperature is adequate.

- The cooler compartment temperature is set to a very low degree. >>> Set the cooler compartment temperature to a higher degree and check again.

The food items kept in cooler compartment drawers are frozen.

- The cooler compartment temperature is set to a very low degree. >>> Set the cooler compartment temperature to a higher degree and check again.

The temperature in the cooler or the freezer is too high.

- The cooler compartment temperature is set to a very high degree. >>> Temperature setting of the cooler compartment has an effect on the temperature in the freezer compartment. Wait until the temperature of relevant parts reach the sufficient level by changing the temperature of cooler or freezer compartments.
- The doors were opened frequently or kept open for long periods. >>> Do not open the doors too frequently.
- The door may be ajar. >>> Fully close the door.
- The product may have been recently plugged in or a new food item is placed inside. >>> This is normal. The product will take longer to reach the set temperature when recently plugged in or a new food item is placed inside.
- Large quantities of hot food may have been recently placed into the product. >>> Do not place hot food into the product.

Shaking or noise.

- The surface is not flat or durable >>> If the product is shaking when moved slowly, adjust the stands to balance the product. Also make sure the ground is sufficiently durable to bear the product.
- Any items placed on the product may cause noise. >>> Remove any items placed on the product.
- The product is making noise of liquid flowing, spraying etc.
- The product's operating principles involve liquid and gas flows. >>> This is normal and not a malfunction.

There is sound of wind blowing coming from the product.

- The product uses a fan for the cooling process. This is normal and not a malfunction.

There is condensation on the product's internal walls.

- Hot or humid weather will increase icing and condensation. This is normal and not a malfunction.
- The doors were opened frequently or kept open for long periods. >>> Do not open the doors too frequently; if open, close the door.
- The door may be ajar. >>> Fully close the door.

There is condensation on the product's exterior or between the doors.

- The ambient weather may be humid, this is quite normal in humid weather. >>> The condensation will dissipate when the humidity is reduced.

The interior smells bad.

- The product is not cleaned regularly. >>> Clean the interior regularly using sponge, warm water and carbonated water.
- Certain holders and packaging materials may cause odour. >>> Use holders and packaging materials without free of odour.
- The foods were placed in unsealed holders. >>> Keep the foods in sealed holders. Micro-organisms may spread out of unsealed food items and cause bad odour.
- Remove any expired or spoiled foods from the product.

The door is not closing.

- Food packages may be blocking the door. >>> Relocate any items blocking the doors.
- The product is not standing in full upright position on the ground. >>> Adjust the stands to balance the product.
- The surface is not flat or durable >>> Make sure the surface is flat and sufficiently durable to bear the product.

The crisper is jammed.

- The food items may be in contact with the upper section of the drawer. >>> Reorganize the food items in the drawer.

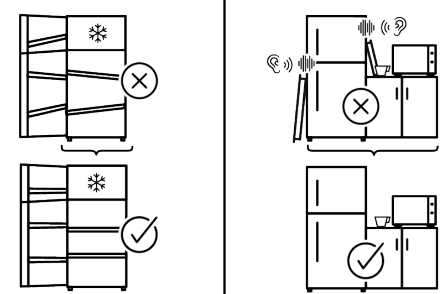
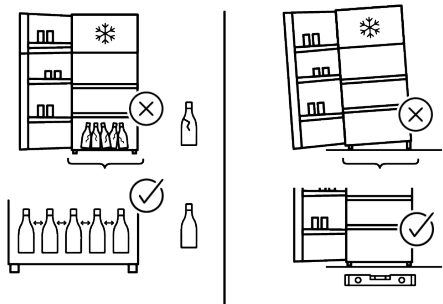
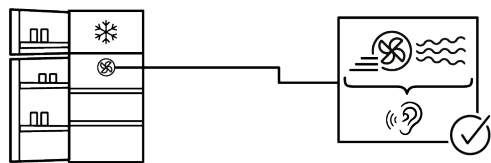
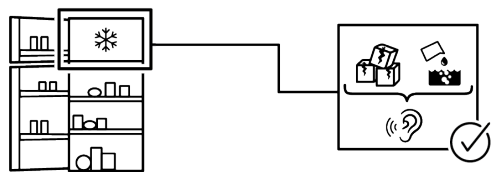
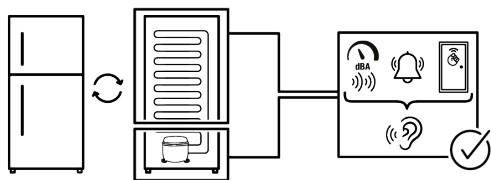
Temperature on the product surface.

- High temperature may be observed between two doors, on the side panels and on the rear grill area while your product is operated. This is normal and it does not require servicing.

Fan continues to operate when the door is opened.

- Fan may continue to operate when the freezer door is open.

If the problem persists after following the instructions in this section, contact your vendor or an Authorized Service. Do not try to repair the product. This is normal.



Пожалуйста, сперва прочтите это руководство!

Уважаемый покупатель,

Благодарим за приобретение этой продукции Веко.

Мы хотим, чтобы вы добились оптимальной эффективности от этого высококачественного продукта, который был произведен с использованием новейших технологий. Для этого внимательно прочтите это руководство и любую другую документацию, предоставленную перед использованием изделия.

Обратите внимание на всю информацию и предупреждения в руководстве пользователя. Таким образом вы защитите себя и свой продукт от возможных опасностей. Сохраните руководство пользователя. Приложите это руководство к устройству, если вы передадите его кому-то другому.

В руководстве пользователя и на изделии используются следующие символы:



Прочитайте руководство пользователя.



Опасность, которая может привести к смерти или травме.

Отсканируйте QR-код на устройстве, чтобы получить дополнительную информацию



1 Инструкции по технике безопасности

- В этой секции содержатся инструкции по безопасности, необходимые для предотвращения риска получения травм и материального ущерба.
- Наша компания не будет нести ответственность за ущерб, который может возникнуть в случае несоблюдения этих инструкций.
- Монтажные и ремонтные работы всегда должны выполняться производителем, уполномоченным сервисным центром или лицом, которое будет указано компанией-импортером.
- Используйте только оригинальные запчасти и аксессуары.
- Не проводите ремонт и замену каких-либо частей устройства, если это явно не сказано в руководстве пользователя.
- Не вносите никаких изменений в устройство.
- Это устройство предназначено для эксплуатации в помещениях, к примеру, в домашнем хозяйстве и т. д.
Например:
на кухнях для персонала магазинов, офисов и других рабочих помещениях, в фермерских домах, гостиницах, мотелях и иных местах отдыха, которые используются клиентами, в общежитиях или аналогичных помещениях, в сфере общественного питания и аналогичных некоммерческих сферах.
- Это устройство нельзя использовать в открытых и закрытых помещениях, таких как судна, дома на колесах, балконы или террасы. Воздействие на устройство дождя, снега, солнечного света и ветра может привести к возгоранию.

RU



1.1 Назначение использования

- Данное изделие не предназначено для коммерческого использования и не должно использоваться в целях, отличных от предполагаемого использования.



1.2 Безопасность для детей, уязвимых лиц и домашних животных

- Этим устройством могут пользоваться дети в возрасте 8 лет и старше, а также люди с неполноценными физическими, сенсорными или умственными способно-

стями либо с недостатком опыта и знаний, если они находятся под наблюдением либо были проинструктированы относительно безопасного использования устройства и связанных с ним опасностей.

- Детям в возрасте от 3 до 8 лет разрешается класть и выносить продукты из холодильника.
- Детям и домашним животным запрещено играть с устройством, забираться на него или входить в него.
- Детей и домашних животных следует держать подальше от зоны кабины (компрессора), где расположены электрические части.
- Детям запрещено выполнять чистку и техническое обслуживание, если за ними не присматривают.
- Храните упаковочные материалы в недоступном для детей месте. Риск травмы и удушья.
- Если на дверце продукта есть замок, храните ключ в недоступном для детей месте.



1.3 Электробезопасность

- Устройство не должно быть подключено к розетке во время монтажа, технического обслуживания, очистки, ремонта и транспортировки.
- Если кабель питания поврежден, во избежание потенциальных опасностей его должен заменить специалист, указанный производителем, авторизованный сервисный агент или импортер.
- Не засовывайте шнур питания под устройство или за его заднюю часть. Не кладите на шнур питания тяжелые предметы. Шнур питания нельзя гнуть, давить и он не должен контактировать с источниками тепла.
- Используйте только оригинальный кабель. Не используйте обрезанные или поврежденные кабели.
- Не используйте удлинитель, мульти-вилку или адаптер для работы с вашим устройством.
- Портативные многополюсные вилки и портативные источники питания могут перегреться и привести к возгоранию. Таким образом, не устанавливайте портативные источники питания позади или вблизи устройства.

- Перед подключением изделия к источнику питания отсоедините кабель питания от крюка конденсатора (при наличии) во время установки.
- Пользователь не должен иметь доступа к электрическим частям после установки.
- Не подключайте шнур питания устройства к ослабленной или поврежденной розетке. Эти типы соединений могут перегреваться и вызывать пожар.
- Должен быть легкий доступ к вилке. Если это невозможно, в электроустановке должен быть предусмотрен механизм, соответствующий законодательству в области электротехники и отключающий все клеммы от сети (предохранитель, выключатель, главный выключатель и т.д.).
- Изделием нельзя управлять с помощью внешнего переключающего устройства, такого как таймер или система дистанционного управления.
- Не используйте изделие, если у вас босые ноги или мокрое тело.
- Не касайтесь вилки мокрыми руками.
- Вынимая вилку из розетки, держитесь не за шнур, а за вилку.
- Убедитесь, что вилка не мокрая, не грязная или не пыльная.
- Никогда не подключайте холодильник к энергосберегающим устройствам. Такие системы вредны для устройства.



1.4 Безопасность при обращении

- Перед перемещением изделия обязательно отключите его от сети.
- Устройство тяжелое, не обращайтесь с ним самостоятельно. Если изделие упадет на вас, возможно получение травмы. Не натывайтесь на попадающиеся по пути предметы и не роняйте изделие во время транспортировки.
- Во время транспортировки всегда закрывайте дверцы и не держите изделие за дверцы.
- Будьте осторожны, чтобы не повредить систему охлаждения и трубы при обращении с устройством. Не используйте устройство, если трубы повреждены, и обратитесь в авторизованный центр.



1.5 Безопасность установки

- Для того, чтобы подготовить устройство к использованию, ознакомьтесь с информацией в руководстве по установке и эксплуатации и убедитесь, что электрические и водопроводные сети соответствуют требованиям. В противном случае вызовите квалифицированного электрика и сантехника для принятия необходимых мер.
- **Иначе будет риск поражения электрическим током, пожара, проблем с изделием или травмирования.**
- Перед началом установки выключите предохранитель, чтобы обесточить линию питания, к которой подключено изделие.
- Изделие должно устанавливаться двумя и более людьми. При извлечении изделия из упаковки и установке используйте защитные перчатки.
- Это изделие предназначено для использования при максимальной высоте 2000 метров над уровнем моря.
- Не допускайте детей к месту установки.
- Перед установкой проверьте устройство на наличие повреждений. Не устанавливайте устройство, если оно повреждено.
- Во время установки, технического обслуживания и ремонта изделия всегда используйте средства индивидуальной защиты (перчатки и т. д.). Риск получения травмы.
- Не устанавливайте и не оставляйте изделие в местах, где оно может подвергаться воздействию внешних температур окружающей среды.
- Установите устройство на чистую, ровную и твердую поверхность и сбалансируйте его регулируемыми ножками (вращая передние ножки вправо или влево). В противном случае холодильник может опрокинуться и привести к травмам.
- Соблюдайте осторожность, чтобы не повредить пол (облицовка плиткой и т. д.) при перемещении изделия. Установите изделие на пол или обеспечьте достаточную опору в зависимости от размера, веса и варианта использования изделия. Убедитесь, что изделие не находится рядом с источником тепла, а все четыре ноги

- устойчивы и прислонены к полу. При необходимости установите изделие и убедитесь, что оно расположено горизонтально, используя пузырьковый уровень. Чтобы обеспечить полную эффективность контура хладагента, подождите не менее двух часов перед эксплуатацией изделия.
- Устройство следует устанавливать в сухом и вентилируемом помещении. Не кладите ковры, коврики и аналогичные напольные покрытия под устройством. Может привести к возгоранию из-за недостаточной вентиляции!
 - Не блокируйте и не покрывайте вентиляционные отверстия. В противном случае потребление энергии увеличится, и ваше изделие повредится.
 - Оставьте достаточно места по бокам и выше, чтобы обеспечить достаточную вентиляцию. Зазор между задней панелью и стеной за изделием должен быть не менее 50 мм, чтобы предотвратить нагревание поверхностей. Сокращение этого пространства увеличит энергопотребление изделия.
 - При размещении изделия убедитесь, что кабель питания не поврежден и не заземлен.
 - Изделие нельзя подключать к системам электропитания и источникам питания, которые могут вызвать резкие изменения напряжения (например, портативный источник питания на солнечной энергии). В противном случае может произойти повреждение вашего устройства в результате резких колебаний напряжения!
 - Чем больше хладагента содержится в холодильнике, тем больше должно быть помещение для его установки. В очень маленьких помещениях в случае утечки газа в системе охлаждения может возникнуть воспламеняющаяся газозоодушная смесь. На каждые 8 граммов хладагента требуется не менее 1 м³ объема. Количество хладагента, доступного в вашем устройстве, указано на этикетке типа.
 - Изделие ни в коем случае нельзя размещать таким образом, чтобы силовые кабели, металлический шланг газовой плиты, металлические газовые или водопроводные

трубы соприкасались с задней стенкой изделия (или конденсатором).

- Место установки устройства не должно подвергаться воздействию прямых солнечных лучей и не должно находиться вблизи источников тепла, таких как печи, радиаторы и т.д. В случае, если вы не способны предотвратить установку устройства вблизи источника тепла, используйте подходящую изоляционную пластину и убедитесь, что минимальное расстояние до источника тепла такое, как указано ниже:
 - На расстоянии не менее 30 см от источников тепла, таких как плиты, духовки, отопительные приборы и обогреватели и т.д.,
 - И не менее 5 см от электрических духовок.
- Ваше устройство имеет класс защиты I.
- Подключите устройство к заземленной розетке, которая соответствует значениям напряжения, тока и частоты, указанным на заводской табличке. В розетке должен быть предохранитель на 10–16 А. Наша компания не несет ответственности за какие-либо повреждения, возникшие в результате использования устройства без заземления и невыполнения местных и национальных норм при подключении холодильника к электросети.
- При установке кабель питания устройства должен быть отключен от электросети. В противном случае может возникнуть опасность поражения электрическим током и получения травм!
- Не подключайте устройство к незакрепленным, сломанным, грязным, засаленным розеткам или розеткам, которые вышли из гнезд или гнезд с риском попадания воды. Эти типы соединений могут перегреваться и вызывать пожар.
- Расположите шнур питания и шланги (если таковые имеются) устройства таким образом, чтобы они приводили к опрокидыванию.
- Попадание влаги и жидкости на токоведущие части или на шнур питания может привести к короткому замыканию. Соответственно, не используйте устройство во влажной среде или в местах, где может брызгать вода (к примеру, гараж, прачечная и т.д.). Если холодильник намок от воды, отключите его от сети и обратитесь в сервисный центр.

- Никогда не подключайте холодильник к энергосберегающим устройствам. Такие системы вредны для устройства.
- При снятии крышки электронной платы и задней крышки компрессора (если она установлена) существует риск соприкосновения с электрическими частями. Не снимайте крышку электронной платы и заднюю крышку компрессора (если она установлена). Существует риск получения смертельного электропоражения!

1.6 Эксплуатационная безопасность

- Никогда не используйте на устройстве химические растворители. Эти материалы могут привести к взрыву.
- В случае неисправности устройства отключите его от сети (или обесточьте предохранитель, к которому он подключен) и не включайте, пока оно не будет отремонтировано в авторизованном сервисном центре. Существует опасность поражения электрическим током!
- Не помещайте пламя (зажженную свечу, сигарету и т. д.) или источники тепла (утюг, варочную панель, духовку и т. д.) на изделие или рядом с ним. Не размещайте легковоспламеняющиеся/ взрывоопасные материалы рядом с изделием...
- Не вставляйте на устройство. Опасность падения и травм!
- Не наносите повреждения трубам системы охлаждения с помощью острых и колющих инструментов. Хлад-агент, который распространяется в случае прокола газовых труб, удлинителей труб или покрытий верхней поверхности, может вызвать раздражение кожи и повреждение глаз.
- Не разбирайте контур охлаждающей жидкости и не повреждайте его. Риск взрыва.
- Не размещайте и не используйте электроприборы внутри холодильников/морозильных камер, если таковое не рекомендовано производителем.
- Не используйте для ускорения размораживания какие-либо иные процедуры, кроме рекомендованных производителем.
- Соблюдайте осторожность, чтобы какие-либо части рук или тела не были зажаты движущимися частями внутри устройства. Будьте внимательны, чтобы не зажать пальцы между холодильником и его дверцей. Будьте

- внимательны, открывая или закрывая дверь, если рядом есть дети.
- Не употребляйте мороженое, кубики льда или замороженные продукты, как только достанете их из морозилки. Риск обморожения!
 - Не прикасайтесь мокрыми руками к внутренним стенкам, металлическим частям морозильной камеры или продуктам, хранящимся внутри морозильника. Риск обморожения!
 - Не помещайте банки с газировкой, банки и бутылки, содержащие жидкости, которые могут быть заморожены, в морозильную камеру. Банки и бутылки могут лопнуть. Риск получения травм и материального ущерба!
 - Не используйте и не размещайте вблизи холодильника материалы, которые чувствительны к температуре, такие как легковоспламеняющиеся аэрозоли и предметы, сухой лед либо иные химические вещества. Опасность возникновения пожара и взрыва!
 - Не храните взрывчатые вещества, такие как аэрозольные баллончики с легко воспламеняющимися материалами внутри холодильника.
 - Не ставьте банки с жидкостями поверх холодильника в открытом состоянии. Попадание воды на электрическую деталь может привести к поражению электрическим током или возгоранию.
 - Из-за риска разбивания не храните стеклянные контейнеры с жидкостью в морозильном отделении.
 - Данное устройство не предназначено для хранения и охлаждения лекарственных средств, плазмы крови, лабораторных препаратов или аналогичных материалов и изделий, подпадающих под Директиву о медицинских изделиях.
 - Если устройство не используется по назначению, это может привести к повреждению или порче продуктов.
 - Если ваш холодильник оснащен синим светом, не смотрите на этот свет с помощью оптических приборов. Не смотрите прямо на УФ-светодиоды в течение долгого времени. Ультрафиолетовые лучи могут привести к напряжению глаз.
 - Не заполняйте холодильник большим количеством продуктов, нежели его вместимость. Не используйте для ускорения размораживания какие-либо иные процедуры,

кроме рекомендованных производителем. Травмы и повреждения могут возникнуть, если содержимое холодильника упадет при открытии дверцы. Такие же проблемы также могут возникнуть при размещении предмета поверх холодильника.

- Убедитесь, что вы удалили лед и воду, которые могли упасть на пол для предотвращения травм.
- Поменяйте расположение полок/полок для бутылок на дверце вашего холодильника, пока полки пустые. Опасность получения травм!
- Не кладите на устройство предметы, которые могут упасть или опрокинуться. Предметы могут упасть при открывании или закрывании двери и привести к травмам и/или материальному ущербу.
- Не ударяйте и не оказывайте чрезмерного давления на стеклянные поверхности. Разбитое стекло может привести к травмам и/или материальному ущербу.
- В случае изделий, в которых предусмотрено использование воздушного фильтра внутри доступной крышки

вентилятора, фильтр всегда должен быть на месте во время работы холодильника.

- Не загромождайте вентилятор (при наличии) едой.
- Поврежденные уплотнительные прокладки должны быть заменены как можно скорее.
- Ваше изделие может иметь специальные отсеки (отсек для свежих продуктов, отсек для нулевых градусов и т. д.). Если иное не указано в соответствующем руководстве по эксплуатации изделия, эти отсеки могут быть удалены, и изделие может использоваться с той же производительностью.
- Система охлаждения вашего холодильника содержит хладагент R600a. Тип хладагента, используемого в холодильнике, указан на этикетке типа. Этот газ легко воспламеняем. По этой причине будьте осторожны, чтобы не повредить систему охлаждения и трубы во время эксплуатации устройства. В случае повреждения труб:
 1. Не прикасайтесь к устройству или кабелю питания.
 2. устройство вдали от потенциальных источников огня, которые могут привести к возгоранию холодильника.

3. Проветрите помещение, в котором находится изделие. Не используйте вентилятор.
4. Обратитесь в авторизованную службу.

Перед утилизацией старых продуктов, которые больше не должны использоваться:

1. Отсоедините шнур питания от сетевой розетки.
 2. Перережьте шнур питания и выньте его из прибора вместе с вилкой.
 3. Не снимайте стойки и ящики с устройства, чтобы дети не могли попасть внутрь прибора.
 4. Снимите двери.
 5. Храните устройство так, чтобы его невозможно было опрокинуть.
 6. Не позволяйте детям играть с утилизированным устройством.
 7. Если холодильник поврежден и вы заметили утечку газа, пожалуйста, держитесь подальше от газа. Газ может вызвать обморожение при попадании на кожу.
- Не утилизируйте устройство, помещая его в огонь. Опасность взрыва.
 - Если на дверце продукта есть замок, храните ключ в недоступном для детей месте.



1.7 Безопасность хранения продуктов

Пожалуйста, обратите внимание на следующие предупреждения, чтобы избежать порчи пищевых продуктов:

- Если оставить двери открытыми в течение длительного времени, температура внутри изделия может повыситься.
- Регулярно очищайте доступные дренажные системы, контактирующие с пищевыми продуктами.
- Очищайте резервуары для воды, которые не использовались в течение 48 часов, и системы подачи воды, которые не использовались в течение более 5 дней.
- Храните сырое мясо и рыбные продукты в соответствующих отсеках внутри изделия. Таким образом оно не будет капать на другие продукты и не будет соприкасаться с ними.
- Двухзвездочные морозильные камеры используются для хранения предварительно замороженных продуктов, изготовления и хранения льда и мороженого.

- Однозвездочные, двухзвездочные и трехзвездочные отсеки не подходят для замораживания свежих продуктов.
- Если охлаждающее изделие будет оставлено пустым в течение длительного времени, выключите его, разморозьте, очистите и высушите, чтобы защитить его корпус.
- После размещения продуктов проверьте, правильно ли закрыты люки отсека, и особенно дверца морозильной камеры.
- Используйте холодильную камеру для хранения свежих продуктов и морозильную камеру для хранения замороженных продуктов, замораживания свежих продуктов и приготовления кубиков льда.
- Не храните продукты без надлежащей изолирующей упаковки в холодильнике и морозильных камерах, чтобы предотвратить прямой контакт с внутренними поверхностями.
- Не тяните за дверь или дверную ручку, если вам необходимо переместить холодильник в целях чистки. Если за ручку двери слишком сильно потянуть, это может привести к травмам.
- Не помещайте руки, ноги или металлические предметы под или за изделием. Может произойти зажатие, или любой острый край может привести к травмам.
- Не мойте внутреннюю или внешнюю часть изделия с помощью мойки высокого давления, пара, распыленной воды или наливаемой воды. Опасность поражения электрическим током и пожара.
- При очистке изделия не используйте острые и абразивные инструменты или бытовые чистящие средства, моющие средства, газ, бензин, разбавитель, спирт, лак и аналогичные вещества. Используйте чистящие и обслуживающие средства, которые не вредны для пищевых продуктов, внутри холодильника, перед очисткой или началом технического обслуживания.



1.8 Безопасность технического обслуживания и очистки

- Отключайте холодильник или обесточьте предохранитель, к которому он подклю-

- Не используйте бумажные полотенца, кухонные губки или другие твердые чистящие средства.
- Никогда не используйте пар и пропаренные чистящие средства для очистки холодильника и размораживания льда внутри него. Пар будет контактировать с областями, находящимися под напряжением в вашем холодильнике, и может вызвать короткое замыкание или поражение электрическим током.
- Не используйте какие-либо механические инструменты или любые другие инструменты, кроме рекомендаций производителя, для ускорения операции размораживания.
- Следите за тем, чтобы вода не попадала на вентиляционные отверстия, электронные схемы или освещение холодильника. В противном случае может возникнуть возгорание или поражение электрическим током.
- Пользуйтесь чистой сухой тканью для удаления пыли или посторонних материалов с кончиков заглушек. Не используйте влажный кусок ткани для очистки вилок. В противном случае может

возникнуть возгорание или поражение электрическим током.

1.9 Освещение

Обратитесь в авторизованный сервисный центр, когда вам нужно заменить светодиод/лампочку, используемую для освещения.

1.10 Утилизация изделия

При утилизации старого изделия следуйте приведенным ниже инструкциям:

- Во избежание случайного запираания детей в изделии, при наличии дверного замка, приведите его в нерабочее состояние.
- Брызги охлаждающей жидкости вредны для глаз. Не повреждайте никакие части системы охлаждения при утилизации изделия.
- Если компрессорное масло будет проглочено или попадет в дыхательные пути, это может привести к летальному исходу.
- Система охлаждения вашего изделия включает газ R600a, как указано на маркировочной табличке. Этот газ легко воспламеняем. Не утилизируйте устройство, помещая его в огонь. Опасность взрыва!

- С-пентан используется в качестве вспенивателя в изолационной пене и является легковоспламеняющимся ве-

ществом. Не утилизируйте устройство, помещая его в огонь.

2 Инструкции по окружающей среде

2.1 Соответствие требованиям Директивы WEEE (директива ЕС об отходах электрического и электронного оборудования) и утилизация отработавшего прибора



Данное устройство соответствует Директиве ЕС WEEE по ограничению использования вредных веществ (2012/19/EU). Данный прибор имеет классификационный

знак для отработанного электрического и электронного оборудования (WEEE). Такой знак означает, что после завершения эксплуатации прибор запрещается выбрасывать вместе с прочими бытовыми отходами. Использованное устройство необходимо вернуть в официальный пункт приема утилизируемых электрических и электронных устройств. Чтобы найти такие системы приема утиля, обратитесь в местные уполномоченные органы или к розничным продавцам, у которых был приобретен продукт. Каждое домашнее хозяйство выполняет важную роль в восстановлении и утилизации старого оборудования. Надлежащая утилизация отработавшего прибора позволяет предотвратить возможные негативные последствия для окружающей среды и здоровья человека.

Соответствие требованиям Директивы RoHS:

Приобретенный Вами прибор соответствует требованиям Директивы RoHS ЕС (2011/65/EU). В нем не содержится вредных и запрещенных материалов, указанных в данной Директиве.



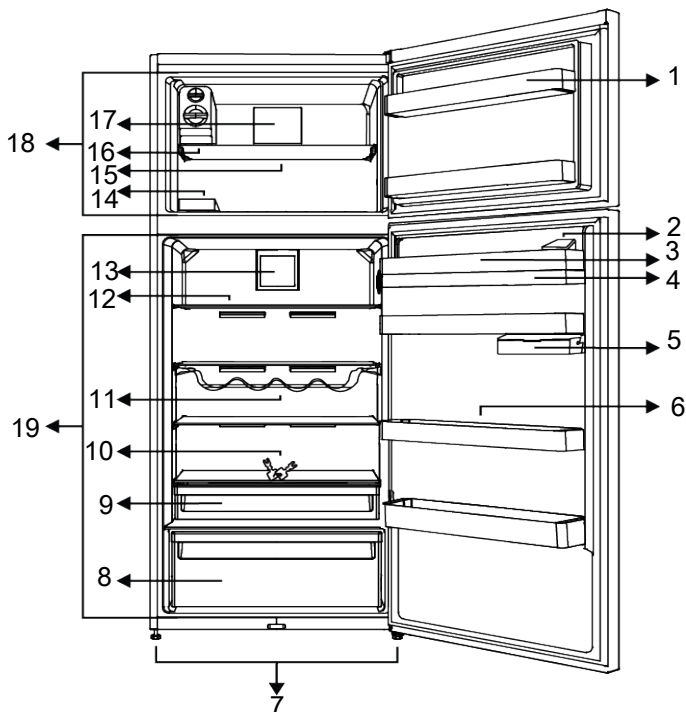
Информация об упаковке

Материалы упаковки устройства произведены из перерабатываемого сырья в соответствии с нашими Национальными Нормами по Защите Окружающей Среды. Запрещается выбрасывать упаковочные материалы вместе с бытовыми и другими отходами. Отправьте их в точки сбора упаковочных материалов, указанные местными органами власти.



Соответствие стандартам и информации об испытаниях / Декларация о соответствии ЕС

Этапы разработки, производства и продажи этого продукта соответствуют правилам безопасности во всех соответствующих руководствах Европейского сообщества. 2014/35/EU, 2014/30/EU, 93/68/EC, IEC 60436/DIN 44990, EN 50242



- | | |
|---|--|
| 1 * Полка на дверце морозильного отделения | 2 * Бачок диспенсера для воды |
| 3 * Полка в дверце холодильной камеры | 4 * Резервуар диспенсера для воды |
| 5 * Контейнер для хранения под дверной полкой | 6 * Подвижная полка корпуса |
| 7 Регулируемые ножки | 8 * Ящик для фруктов и овощей |
| 9 * Нулевая камера | 10 * Блокировка и кнопки |
| 11 * Полка для бутылок | 12 * Стеклопалка в дверце холодильной камеры |
| 13 Вентилятор | 14 * Контейнер для льда |
| 15 Полка морозильной камеры | 16 * Производительность льдообразования |
| 17 Вентилятор | 18 Морозильная камера |
| 19 Холодильное отделение | |

* **Дополнительно:** Рисунки в данном руководстве по эксплуатации могут не полностью соответствовать характеристикам вашего устройства. Если в вашем

устройстве нет соответствующих деталей, информация относится к другим моделям.

4 Установка

Сначала прочтите раздел «Инструкции по технике безопасности»!

4.1 Подходящее место для установки

Обратитесь в авторизованный центр для установки устройства. Для того, чтобы подготовить устройство к установке, ознакомьтесь с информацией в руководстве пользователя и убедитесь, что электрические и водопроводные сети соответствуют требованиям. В противном случае вызовите электрика и сантехника для принятия необходимых мер.

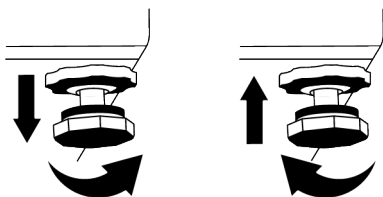
- Поместите изделие на ровную поверхность, чтобы не избежать вибраций
- Расположите изделие на расстоянии не менее 30 см от обогревателей, плит и аналогичных источников тепла и не менее 5 см от электрических духовок.
- При установке рядом двух холодильников оставьте расстояние между двумя устройствами должно быть не менее 4 см.
- Храните изделие в сухом месте, защищенном от воздействия прямых солнечных лучей.
- Для эффективной работы вашего изделия необходима достаточная циркуляция воздуха. При установке изделия в нише необходимо обеспечить зазор не менее 5 см между изделием, потолком, задней и боковыми стенами.
- Убедитесь, что защитный элемент зазора у задней стены установлен в предназначенное для него место (если он входит в комплектацию изделия).

- Если элемент отсутствует, утерян или отломан, изделие необходимо установить таким образом, чтобы между его задней поверхностью и стеной помещения оставался зазор не менее 5 см. Зазор у задней стены необходим для эффективной работы изделия.

RU

4.2 Регулировка ножек

Если продукт находится в неуравновешенном состоянии, следует отрегулировать ножки путем вращения их вправо и влево.

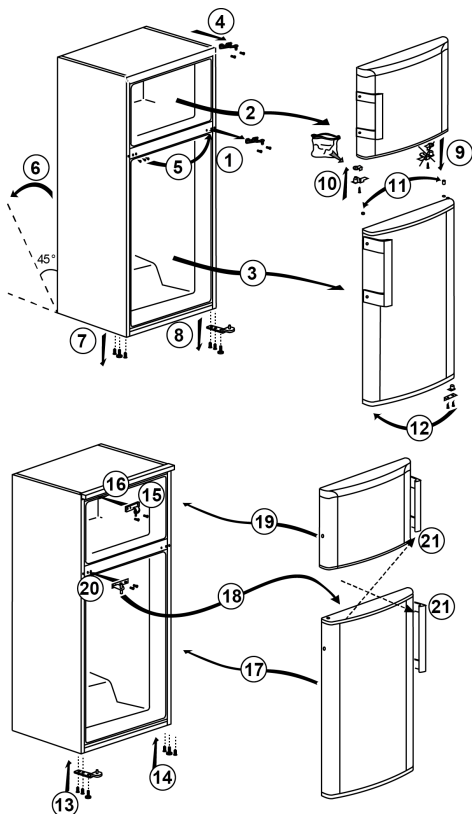


4.3 Предупреждение о горячей поверхности

Боковые стенки вашего продукта оснащены охлаждающими трубками для улучшения системы охлаждения. Жидкость под высоким давлением может протекать через эти поверхности и вызывать нагревание поверхностей на боковых стенках. Это нормально и не требует обслуживания.

5 Изменение направления открытия двери

RU



6 Подготовка

Сначала прочтите раздел «Инструкции по технике безопасности»!

6.1 Как экономить электроэнергию

- Этот холодильный прибор не предназначен для использования в качестве встраиваемого прибора.
- При загрузке продуктов оставляйте внутри холодильника достаточно места для циркуляции воздуха и охлаждения.
- Поскольку горячий и влажный воздух не будет напрямую проникать в ваш продукт, когда дверца не открыта, ваш продукт будет оптимизировать себя в условиях, достаточных для защиты ваших продуктов. В этих условиях такие функции и компоненты, как компрессор, вентилятор, нагреватель, размораживание, освещение, дисплей и т. п., будут работать в соответствии с потребностями при минимальном потреблении энергии.
- В случае наличия нескольких вариантов стеклянные полки должны быть размещены так, чтобы отверстия для выпуска воздуха на задней стенке не были заблокированы, предпочтительно, чтобы отверстия для выпуска воздуха оставались под стеклянной полкой. Эта комбинация может помочь улучшить распределение воздуха и энергоэффективность.

- Для экономии энергии храните продукты в холодильном отделении или отсеке для охлаждения, соблюдая надлежащие условия хранения.

6.2 Первое использование

Перед тем, как использовать изделие, убедитесь, что все подготовительные работы выполнены в соответствии с рекомендациями в разделах «Меры безопасности» и «Установка».

- Перед началом эксплуатации изделия подождите не менее 2 часов, чтобы обеспечить полную эффективность охлаждения.
- Дайте изделию проработать, не кладя внутрь продукты, в течение 6 часов и не открывайте дверцу без крайней необходимости.
- Изменение температуры, вызванное открытием и закрытием дверцы во время использования изделия, обычно может привести к конденсации на полках дверцы/корпуса и стеклянных емкостях, помещенных в изделие.
- При включении компрессора вы услышите звук. Изделие издает шум, даже если компрессор не работает, поскольку жидкость и газ могут быть сжаты в системе охлаждения.
- Это нормально, что передние края изделия должны будут теплыми. Они специально подогреваются, чтобы предотвратить образование конденсата

- В некоторых моделях индикаторная панель автоматически выключается через 1 минуту после закрытия дверцы. Она включается снова при открытии дверцы или нажатии любой кнопки.

6.3 Климатический класс и определения

Пожалуйста, просмотрите климатический класс на паспортной табличке вашего устройства. Одни из следующих сведений применимы к вашему устройству в соответствии с климатическим классом.

- **SN:** Длительный умеренный климат: Данное охлаждающее устройство предназначено для использования при температуре окружающей среды от 10°C до 32°C.
- **N:** Умеренный климат: Данное охлаждающее устройство предназначено для использования при температуре окружающей среды от 16°C до 32°C.
- **ST:** Субтропический климат: Данное охлаждающее устройство предназначено для использования при температуре окружающей среды от 16°C до 38°C.
- **T:** Тропический климат: Данное охлаждающее устройство предназначено для использования при температуре окружающей среды от 16°C до 43°C.

7 Эксплуатация устройства



Сначала прочтите раздел «Инструкции по технике безопасности»!

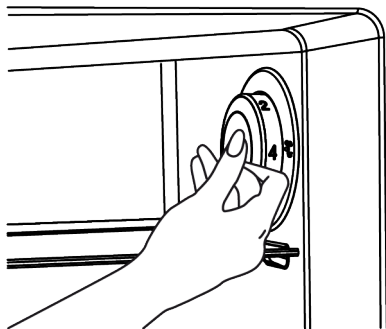
Функции визуального и звукового предупреждения помогают при эксплуатации холодильника.

7.1 Эксплуатация устройства

Кнопка настройки температуры

- Сначала прочтите раздел «Инструкции по технике безопасности»!

Приведенные функции являются необязательными, могут быть различия в форме и расположении функций, отображаемых на индикаторной панели вашего устройства.



Внутренняя температура вашего холодильника изменяется по причинам, указанным ниже:

Сезонные температуры,
Частое открывание двери и оставление ее открытой в течение длительного времени,

Блюда, которые помещаются в холодильник в горячем состоянии без снижения до комнатной температуры,
Расположение холодильника в помещении (например, воздействие солнечного тепла)

Вы можете регулировать внутреннюю температуру, которая меняется данным причинам, с помощью кнопки регулировки.

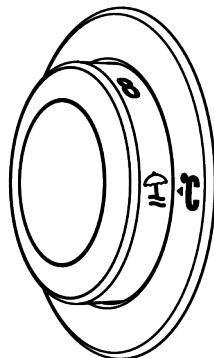
Цифры вокруг кнопки регулировки показывают степень температуры в виде «°C».

Если температура окружающей среды составляет 25°C, рекомендуется использовать ручку регулировки температуры холодильника в положении 4°C. При других температурах окружающей среды это значение может быть увеличено или уменьшено в соответствии с потребностями.

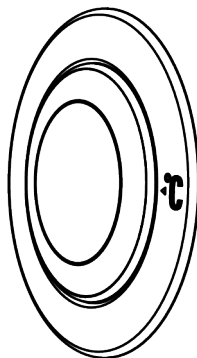
Функция отпуска

Когда вы переводите трубку в режим отпуска, активируется режим отпуска. Для отмены этой функции необходимо изменить положение ручки.

При использовании функции отпуска хранение продуктов в холодильной камере нецелесообразно.



После завершения настройки вы можете скрыть ручку регулировки температуры, нажав на нее.



7.2 Хранение продуктов в морозильной и холодильной камере

Хранение продуктов в морозильной камере

- Вы можете активировать функцию быстрого замораживания за 4-6 часов до замораживания и выполнить более быстрое охлаждение.
- Перед помещением горячих блюд в морозильное отделение, охладите их до комнатной температуры.
- Продукты, которые подвергнутся замораживанию, должны быть разделены на порции согласно потребляемому размеру и заморожены в отдельных пакетах.
- Рекомендуется упаковывать продукты перед их размещением в морозильное отделение.

- Во избежание истечения срока хранения запишите дату замораживания, время и название продукта на упаковке в соответствии со сроками хранения различных пищевых продуктов.
- Быстро употребляйте размороженные продукты. Размороженные продукты не могут быть заморожены снова, если они не будут приготовлены. Небезопасно употреблять повторно замороженные свежие продукты без приготовления после их разморозки.
- Когда вы замораживаете свежие продукты, не допускайте их соприкосновения с уже замороженными продуктами. В противном случае замороженные продукты будут разморожены.

Хранение продуктов питания, которые продаются замороженными

- При хранении продуктов питания соблюдайте сроки, указанные в данной инструкции.
- Чтобы сохранить качество продуктов, соблюдайте минимальный интервал между покупкой и хранением.
- Покупайте замороженные продукты, которые хранятся при температуре – 18 °С или ниже.
- Избегайте покупки продуктов, упаковка которых покрыта льдом и т.д. Это может означать, что продукт частично размораживался и снова замораживался. Температура влияет на качество пищи.
- Не превышайте время хранения, рекомендованное производителем пищевых продуктов. Извлеките из морозильной камеры только ту пищу, которая вам нужна.
- За исключением случаев, когда существуют экстремальные условия внешней среды, если в вашем изделии установлены указанные заданные значения (в таблице рекомендуемых значений), продукты сохраняют свою свежесть в течение более длительного времени как в отсеке для свежих продуктов, так и в морозильной камере.

- Если в отсеке для свежих продуктов установлена более низкая температура, свежие фрукты и овощи могут быть частично заморожены.

Таблица рекомендуемых значений

Сведения о морозильной камере

В соответствии со стандартами МЭК 62552, морозильная камера должна иметь способность замораживать 4,5 кг продуктов питания на каждые 100 литров объема морозильной камеры при температуре -18 °С или при более низких температурах и температуре в помещении 25 °С в течение 24 часов.

Продовольственные товары можно хранить в течение длительных периодов времени исключительно при температуре в -18°С и ниже.

Можно хранить продукты свежими в течение нескольких месяцев (в морозильной камере при температуре не выше -18 °С).

Чтобы избежать частичного размораживания, еще не замороженные пищевые продукты не должны прикасаться к уже замороженным продуктам внутри устройства.

Чтобы продлить срок хранения в замороженном состоянии, отварите овощи и отфильтруйте воду. После фильтрации заверните пищу в воздухо непроницаемую упаковку и поместите в морозильную камеру. Не следует замораживать бананы, помидоры, салат-латук, сельдерей, отварные яйца, картошку и подобные пищевые продукты. В случае замораживания этих продуктов питательные свойства и вкусовые качества могут быть отрицательно изменены. Не вызывает сомнения, что употребление гнилых продуктов угрожает здоровью человека.

Размещение продуктов питания

Полки морозильной камеры: Различные замороженные продукты, такие как мясо, рыба, мороженое, овощи и т.п.

Полки холодильной камеры: пищевые продукты в кастрюлях, накрытых крышками тарелках и упаковках с крышками, яйца (в закрытой упаковке)

Полки дверцы холодильной камеры:

продукты питания или напитки в не-
большом количестве и в упаковке

Ящик для фруктов и овощей: Овощи и
фрукты

Отделение для свежих продуктов: Хо-
лодные закуски (хлопья, мясные продук-
ты скорого употребления)

Хранение продуктов в холодильной камере

- Температура в камере заметно повышается, если дверь камеры часто открывается и закрывается и остается открытой в течение длительного времени, это может сократить срок службы продуктов и привести к их порче.
- Чтобы не вызывать изменения запаха и вкуса, продукты следует хранить в закрытых контейнерах.
- Не храните слишком много продуктов в холодильнике. Для достижения лучшего и однородного охлаждения поместите пищу отдельно таким образом, чтобы холодный воздух мог перемещаться по ней.
- Обеспечьте воздушный поток, оставив пространство между пищевыми продуктами и внутренней стенкой. Если прислонить продукты к задней стенке, они могут замерзнуть.
- Доведите приготовленные горячие блюда до комнатной температуры, прежде чем поместить их в холодильник. Затем вы можете поместить умеренно теплую еду на нижние полки вашего холодильника. Не размещайте умеренно теплую еду рядом с продуктами, которые могут легко испортиться.
- Размораживайте замороженные продукты в отделении для свежих продуктов. Таким образом, можно охлаждать отсек для свежих продуктов, используя замороженные продукты, и экономить энергию.
- Хранение незрелых тропических фруктов (манго, разные сорта дыни, папайя, банан, ананас) в холодильнике

может ускорить процесс созревания. Это не рекомендуется, потому что вызывает сокращение времени хранения.

- Лук, чеснок, имбирь и другие корнеплоды следует хранить в темном и холодном помещении, а не в холодильнике.
- Если вы заметили, что еда испортилась в холодильнике, выбросьте ее и очистите аксессуары, которые контактировали с ней.
- Для того чтобы охладить такие блюда, как супы и рагу, которые готовятся в больших кастрюлях, вы можете быстро поместить их в холодильник, поместив их по частям в свои собственные неглубокие контейнеры.
- Не кладите расфасованную пищу рядом с яйцами.
- Держите фрукты и овощи отдельно и храните каждый сорт вместе (например, яблоки с яблоками, морковь с морковью).
- Извлеките зеленые овощи из полиэтиленового пакета и поместите их в холодильник, обернув в бумажное полотенце или ткань для высушивания. Если вы моете этот тип продуктов перед помещением их в холодильник, не забудьте высушить их.
- Вы можете как создать влажную среду, так и обеспечить воздушный поток, сохраняя фрукты и овощи, склонные к высыханию, в перфорированных или негерметичных пластиковых пакетах.
- За исключением случаев, когда существуют экстремальные условия внешней среды, если в вашем изделии установлены указанные заданные значения (в таблице рекомендуемых значений), продукты сохраняют свою свежесть в течение более длительного времени как в отсеке для свежих продуктов, так и в морозильной камере.

Храните разные продукты в разных местах в зависимости от их свойств.

Еда	Расположение
Яйцо	Полка на дверце
Молочные продукты (масло, сыр)	При наличии отсек с нулевой температурой (продукты для завтрака)
Фрукты, овощи и зелень	Отделение для фруктов и овощей, ящик для фруктов и овощей или отсек EverFresh+ (при наличии)
Свежее мясо, птица, рыба, колбаса и т.д. Приготовленные продукты	При наличии отсек с нулевой температурой (продукты для завтрака)
Готовые к подаче продукты, фасованные продукты, консервы и маринованные огурцы	Верхние полки или дверная полка
Напитки, бутылки, специи и закуски	Полка на дверце

7.3 Предупреждение об открытой двери

Система предупреждения об открытии двери холодильника может отличаться в зависимости от модели.

Версия 1:

Если дверца изделия остается открытой в течение определенного времени (от 60 с до 120 с), звучит звуковой предупреждающий сигнал; в зависимости от модели изделия также может отображаться визуальный предупреждающий сигнал (световая вспышка). Если вы закроете дверцу устройства или нажмете кнопку на экране устройства, если таковая имеется, предупреждающий звук прекратится.

8 Особенности продукта

8.1 Технологии Crisper

Синий свет

Фрукты и овощи, хранящиеся в контейнерах холодильника в секции с синей подсветкой, продолжают фотосинтезировать благодаря эффекту световой волны, возникающему под воздействием синего света, и сохраняют витамины.

HarvestFresh

Фрукты и овощи, хранящиеся в контейнерах холодильника в секции с освещением по технологии HarvestFresh сохраняют витамины дольше, поскольку чередование синего, зеленого и красного освещения и периодов темноты имитирует суточный цикл.

Версия 2:

Если дверь устройства остается открытой в течение определенного периода времени (от 60 с до 120 с), подается сигнал тревоги об открытии двери. Предупреждение об открытии двери звучит постепенно. Сначала начинает звучать звуковое предупреждение. Через 4 минуты, если дверь все еще не закрыта, включается визуальное предупреждение (вспышка освещения). Предупреждение об открытии двери будет отложено на определенный период времени (от 60 с до 120 с) при нажатии любой клавиши на экране изделия, если таковая имеется. Затем предупреждение включится заново. Когда дверца устройства будет закрыта, предупреждение об открытии двери будет отменено.

Когда дверь вашего холодильника открывается в темное время суток в период использования технологии HarvestFresh, ваш холодильник автоматически распознает это и для вашего удобства освещает холодильник одним из синих, зеленых или красных огней соответственно. После закрытия дверцы холодильника в нем вновь будет включен период темноты, имитирующий ночь в суточном цикле.

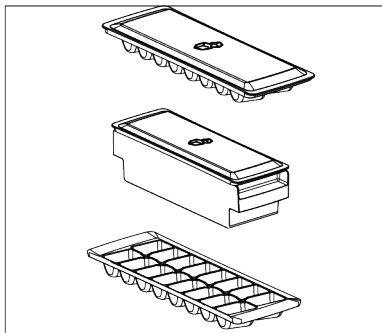
8.2 Зона хранения льда

Контейнер для льда

Емкость для льда позволяет легко доставать лед из холодильника.

Использование емкости для льда

1. Выньте емкость для льда из морозильной камеры.
2. Заполните емкость для льда водой.
3. Поместите емкость для льда в морозильную камеру. Лед будет готов примерно через два часа.
4. Выньте емкость для льда из морозильной камеры и слегка наклоните его над держателем, который вам нужен. Лед легко переместится в сервировочную подставку.



9 Обслуживание и очистка

Сначала прочтите раздел «Инструкции по технике безопасности»!

Перед очисткой изделия отключите его от сети или обесточьте предохранитель, к которому он подключен.

Не кладите руки, ноги или металлические предметы под холодильник или между холодильником и полом по какой-либо причине. Может произойти зажатие, или любой острый край может привести к травмам.

- Не используйте острые или абразивные инструменты для очистки изделия. Не используйте такие материалы, как бытовые чистящие средства, мыло, моющие средства, газ, бензин, растворитель, спирт, воск и т. д.
- Не реже одного раза в год (не открывая крышку) следует удалять пыль с вентиляционной решетки на задней стороне изделия. Протрите изделие сухой тканью.
- Будьте осторожны, не заденьте крышку лампы и другие электрические части.

8.3 Держатель яиц

Вы можете поставить подставку для яиц на любую дверцу или полку корпуса, какую пожелаете.

Если подставка для яиц должна быть размещена на полке корпуса, мы рекомендуем вам выбрать более холодные нижние полки.

- Ни в коем случае не ставьте подставку для яиц в морозильную камеру.

8.4 Ящик для фруктов и овощей

Контейнер для фруктов и овощей холодильника предназначен для сохранения свежих овощей за счет сохранения их влажности. С этой целью в морозильнике усиливается общая циркуляция холодного воздуха. Храните в данном отсеке фрукты и овощи. Храните фрукты и овощи с зелеными листьями отдельно, чтобы продлить их срок годности.

- Протрите дверцу влажной тканью. Удалите все содержимое, чтобы снять дверные и корпусные стойки. Снимите дверные полки, подняв их вверх. Очистите и высушите полки, затем прикрепите их обратно, задвинув сверху.
- Не используйте хлорированную воду или чистящие средства на внешней поверхности и хромированных частях изделия. Хлор вызовет ржавчину на таких металлических поверхностях.
- Не используйте острые и абразивные инструменты, мыло, средства для уборки дома, моющие средства, газ, бензин, лак и подобные вещества, чтобы предотвратить деформацию пластмассовой детали и удаление отпечатков на ней. Для очистки используйте теплую воду и мягкую ткань, а затем вытрите насухо.
- На продуктах без функции No-Frost на задней стенке холодильного отделения могут образовываться капли воды и обледенение толщину до пальца. Не очищайте и никогда не наносите масла или аналогичные материалы.

- Для очистки внешней поверхности изделия используйте только слегка смоченную ткань из микроволокна. Губки и другие чистящие средства могут поцарапать поверхность.
- Чтобы очистить все съемные компоненты во время очистки внутренней поверхности изделия, промойте эти компоненты мягким раствором, состоящим из мыла, воды и карбоната. Тщательно вымойте и высушите. Избегайте контакта воды с элементами освещения и панелью управления.
- Не используйте уксус, медицинский спирт или другие чистящие средства на спиртовой основе для очистки внутренних поверхностей.

Наружные поверхности из нержавеющей стали

Используйте неабразивное чистящее средство для нержавеющей стали и нанесите его мягкой безворсовой тканью. Для полировки аккуратно протрите поверхность тканью из микрофибры, смо-

ченной водой, и используйте замшу для сухой полировки. Всегда следите за прожилками нержавеющей стали.

Предотвращение запахов

Устройство не содержит материалов с запахом. Тем не менее, хранение пищевых продуктов в не предназначенных для них отделениях, а также ненадлежащая очистка поверхностей могут вызывать неприятные запахи.

- Чтобы этого не случилось, очищайте внутреннюю поверхность сатурированной водой каждые 15 дней.
- Храните продукты в герметичных контейнерах, так как микроорганизмы, возникающие из продуктов, хранящихся в негерметичных контейнерах, вызывают неприятный запах.
- Не храните в холодильнике испорченные или продукты с истекшим сроком хранения.

Защита пластиковых поверхностей

Попадание масел на пластиковую поверхность может повредить ее, поэтому следует незамедлительно очистить поверхность теплой водой.

10 Устранение неисправностей

Сначала прочтите раздел «Инструкции по технике безопасности»!

Проверьте этот список, прежде чем обращаться в службу. Так вы сэкономите время и деньги. Данный список включает в себя частые жалобы, которые не связаны с неправильным качеством изготовления и материалов. Некоторые функции, упомянутые здесь, могут не относиться к вашему холодильнику.

Если проблема не устранена после выполнения инструкций в этом разделе, обратитесь к поставщику или в авторизованную службу. Не пытайтесь отремонтировать холодильник.

Холодильник не работает.

- Вилка питания не полностью вставлена. >>> Вставьте вилку, чтобы она целиком вошла в розетку.

- Предохранитель, подключенный к розетке, питающей устройство, или основной предохранитель, перегорел. >>> Проверьте предохранитель.

Конденсат на боковой стенке холодильного отделения (МУЛЬТИ ЗОНА, ХОЛОДИЛЬНАЯ, КОНТРОЛЬНАЯ и ФЛЕКСИ ЗОНА).

- Дверца открывается слишком часто. >>> Не открывайте дверцу холодильника очень часто.
- Окружающая среда слишком влажная. >>> Не помещайте холодильник во влажную среду.
- Продукты, содержащие жидкости, хранятся в незапечатанных держателях. >>> Продукты, содержащие жидкости, следует хранить в герметичных держателях.

- Дверца холодильника осталась открытой. >>> Не держите дверцы холодильника открытыми на протяжении длительного времени.
- Термостат установлен на очень низкую температуру. >>> Установите термостат на соответствующую температуру.

Компрессор не работает.

- В случае, если внезапно отключится питание или выйдет вилка из розетки и повторно включится, а давление газа в системе охлаждения устройства не балансируется, сработает тепловая защита компрессора. Холодильник перезапустится примерно через 6 минут. Если холодильник не перезапустится по истечении этого периода, обратитесь в службу.
- Размораживание активно. >>> Это нормально для полностью автоматического размораживания продукта. Размораживание проводится периодически.
- Устройство не подключено к сети. >>> Убедитесь, что шнур питания подключен.
- Неверная настройка температуры. >>> Выберите соответствующую настройку температуры.
- Электричество отключено. >>> Устройство продолжит нормально работать после восстановления питания.

Шум работы холодильника увеличивается во время использования.

- Эксплуатационные характеристики холодильника могут варьироваться в зависимости от изменений температуры окружающей среды. Это нормально и не является неисправностью.

Холодильник работает слишком часто либо слишком долго.

- Новое устройство может быть больше предыдущего. Более крупные устройства работают дольше.
- Температура в помещении возможно высокая. >>> Продукт обычно работает в течение длительного времени при более высокой комнатной температуре.

- Возможно, холодильник был недавно подключен к сети или в него помещены новые продукты питания. >>> Холодильнику нужно будет больше времени для достижения заданной температуры, если он недавно подключен к сети или в него помещены новые продукты питания. Это нормально.
- Возможно, в холодильник недавно было помещено большое количество горячей пищи. >>> Не помещайте горячую пищу в холодильник.
- Двери часто открывались или оставались открытыми в течение длительного времени. >>> Теплый воздух внутри приведет к тому, что холодильник будет работать дольше. Не открывайте двери слишком часто.
- Дверь морозильной камеры или холодильника возможно приоткрыта. >>> Убедитесь, что дверцы полностью закрыты.
- Возможно, температура холодильника слишком низкая. >>> Установите более высокую температуру и подождите, пока холодильник достигнет заданной температуры.
- Омыватель дверцы холодильника или морозильной камеры возможно загрязнен, изношен, сломан либо неверно установлен. >>> Очистите либо замените прокладку. Поврежденное/порванное устройство для мытья дверцы приведет к тому, что холодильник будет работать более длительное время для сохранения текущей температуры.

Температура морозильной камеры очень низкая, но температура охладителя достаточна.

- Температура морозильной камеры установлена на очень низком уровне. >>> Установите более высокую температуру в морозильной камере и проверьте очередной раз.

Температура охладителя очень низкая, но температура морозильной камеры достаточна.

- Температура в холодильной камере установлена на очень низком уровне. >>> Установите более высокую температуру в холодильной камере и проверьте очередной раз.

Продукты питания в ящиках холодильного отделения заморожены.

- Температура в холодильной камере установлена на очень низком уровне. >>> Установите более высокую температуру в холодильной камере и проверьте очередной раз.

Температура в холодильнике или морозильной камере слишком высокая.

- Температура в холодильной камере установлена на очень высоком уровне. >>> Настройка температуры в холодильном отсеке оказывает влияние на температуру в морозильном отсеке. Подождите, пока температура соответствующих деталей не достигнет достаточного уровня, изменив температуру холодильных или морозильных отсеков.
- Двери часто открывались или оставались открытыми в течение длительного времени. >>> Не открывайте дверцы слишком часто.
- Дверь, возможно, приоткрыта. >>> Полностью закройте дверь.
- Возможно, холодильник был недавно подключен к сети или в него помещены новые продукты питания. >>> Это нормально. Для достижения заданной температуры холодильнику потребуются больше времени, если он недавно был подключен к сети или в него помещен новый продукт питания.
- Возможно, в холодильник недавно было помещено большое количество горячей пищи. >>> Не помещайте горячую пищу в холодильник.

Тряска или шум.

- Поверхность не ровная и не прочная >>> Если холодильник трясется при медленном перемещении, отрегулируйте подставки, чтобы сбалансиро-

вать его. Также убедитесь, что поверхность достаточно прочная, чтобы выдержать холодильник.

- Любые предметы, помещенные на холодильник, могут вызывать шум. >>> Удалите все предметы, помещенные на холодильник.
- Холодильник издает шум текущей, брызгающей жидкости и т.д.
- Принципы работы устройства включают потоки жидкости и газа. >>> Это нормально и не является неисправностью.

От холодильника доносится звук дующего ветра.

- Устройство использует вентилятор для процесса охлаждения. Это нормально и не является неисправностью.

На внутренних стенках устройства образуется конденсат.

- Жаркая или влажная окружающая среда приводит к увеличению обледенения и конденсации. Это нормально и не является неисправностью.
- Двери часто открывались или оставались открытыми в течение длительного времени. >>> Не открывайте дверца слишком часто; если они открыты, закройте.
- Дверь, возможно, приоткрыта. >>> Полностью закройте дверь.

На внешней поверхности устройства либо между дверями образуется конденсат.

- Окружающая среда, возможно, влажная, это вполне нормально. >>> Конденсат пройдет при снижении влажности.

Внутри неприятно пахнет.

- Холодильник не подвергается регулярной чистке. >>> Регулярно чистите внутренние поверхности с помощью губки, теплой и газированной воды.
- Некоторые контейнеры и упаковочные материалы могут вызывать неприятный запах. >>> Используйте контейнеры и упаковочные материалы без запаха.

- Продукты помещены в незапечатанные контейнеры . >>> Храните продукты в запечатанных контейнерах. Из незакрытых пищевых продуктов могут выделяться микроорганизмы, вызывающие неприятные запахи.
- Извлеките из холодильника все просроченные и испорченные продукты.

Дверь не закрывается.

- Пакеты с продуктами возможно блокируют дверь. >>> Сдвиньте все предметы, блокирующие двери.
- Холодильник не стоит в полностью вертикальном положении на земле. >>> Отрегулируйте подставки, чтобы сбалансировать продукт.
- Поверхность не ровная и не прочная >>> Убедитесь, что поверхность ровная и достаточно прочная, чтобы выдерживать изделие.

Контейнер для фруктов и овощей заклинило.

- Продукты питания, возможно, соприкасаются с верхней частью выдвижного ящика. >>> Переставьте продукты питания в ящике.

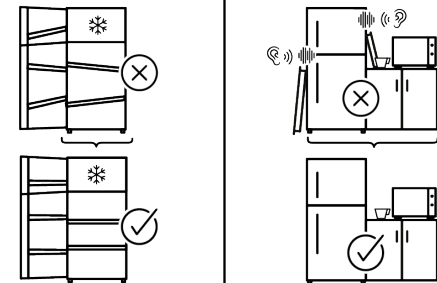
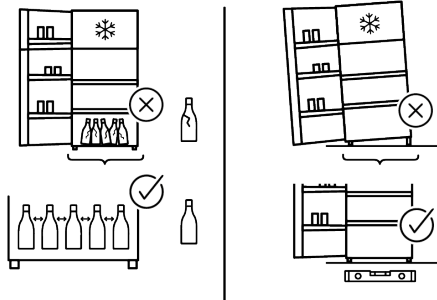
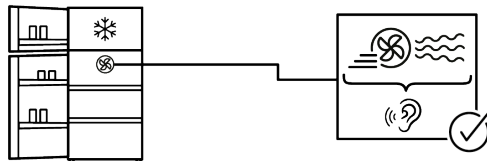
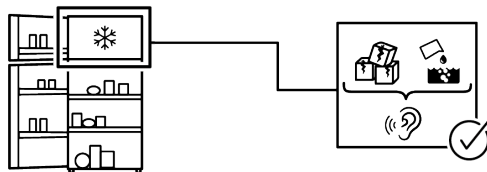
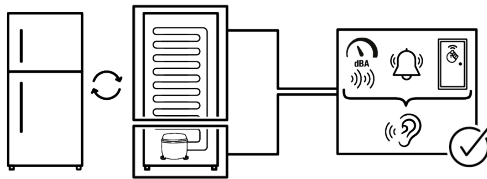
Температура на поверхности продукта.

- Высокая температура может наблюдаться между двумя дверями, на боковых панелях и на задней решетке во время работы вашего устройства. Это нормально и не требует обслуживания.

Вентилятор продолжает работать, когда дверца открыта.

- Вентилятор может продолжать работать, когда дверца морозильной камеры открыта.

Если проблема не устранена после выполнения инструкций в этом разделе, обратитесь к поставщику или в авторизованную службу. Не пытайтесь отремонтировать холодильник. Это нормально.



გთხოვთ, ჯერ წაიკითხოთ ეს სახელმძღვანელო!

ძვირფასო მომხმარებელო

გმადლობთ, რომ აირჩიე ეს Beko პროდუქტი.

ჩვენ გვინდა, რომ მიაღწიოთ ოპტიმალურ ეფექტურობას ამ მაღალი ხარისხის პროდუქტისგან, რომელიც დამზადებულია უახლესი ტექნოლოგიით.

ამისათვის ყურადღებით წაიკითხეთ ეს სახელმძღვანელო და ნებისმიერი სხვა დოკუმენტაცია პროდუქტის გამოყენებამდე.

გაითვალისწინეთ ყველა ინფორმაცია და გაფრთხილება მომხმარებლის სახელმძღვანელოში. ამ გზით თქვენ დაიცავთ საკუთარ თავს და თქვენს პროდუქტს იმ საფრთხისგან, რომელიც შეიძლება წარმოიშვას. შეინახეთ მომხმარებლის სახელმძღვანელო. ჩართეთ ეს სახელმძღვანელო პროდუქტთან ერთად, თუ მას სხვას გადასცემთ.

შემდეგი სიმბოლოები გამოიყენება მომხმარებლის სახელმძღვანელოში და პროდუქტზე:



წაიკითხეთ მომხმარებლის სახელმძღვანელო.



საშიშროება, რამაც შეიძლება გამოიწვიოს სიკვდილი ან დაზიანება.

გთხოვთ, დაასკანროთ QR კოდი თქვენს მოწყობილობაზე, რათა მიიღოთ მეტი ინფორმაცია



1 უსაფრთხოების ინსტრუქციები

KA

- ეს ნაწილი შეიცავს უსაფრთხოების ინსტრუქციებს, რომლებიც აუცილებელია პირადი დაზიანების ან მატერიალური დაზიანების რისკის თავიდან ასაცილებლად.
- ჩვენი კომპანია არ იქნება პასუხისმგებელი ზარალზე, რომელიც შეიძლება მოხდეს ამ ინსტრუქციების შეუსრულებლობის შემთხვევაში.
- ინსტალაციისა და შეკეთების ოპერაციები ყოველთვის შეასრულეთ მწარმოებლის, ავტორიზებული სერვისის ან იმ პირის მიერ, რომელსაც აღწერს იმპორტიორი კომპანია.
- გამოიყენეთ მხოლოდ ორიგინალური სათადარიგო ნაწილები და აქსესუარები.
- არ შეაკეთოთ ან შეცვალოთ პროდუქტის რომელიმე კომპონენტი, თუ ეს მკაფიოდ არ არის

- მითითებული მომხმარებლის სახელმძღვანელოში.
- არ განახორციელოთ რაიმე ცვლილებები პროდუქტზე.



1.1 გამოყენების განზრახვა

- ეს პროდუქტი არ არის შესაფერისი კომერციული გამოყენებისთვის და არ უნდა იქნას გამოყენებული სხვა მიზნისთვის, გარდა მისი დანიშნულების.
- ეს პროდუქტი განკუთვნილია საოპერაციო ინტერიერისთვის, როგორცაა საყოფაცხოვრებო ან მსგავსი. მაგალითად; მაღაზიების, ოფისების და სხვა სამუშაო გარემოს პერსონალის სამზარეულოებში, ფერმის სახლებში, სასტუმროების, მოტელების ან სხვა დასასვენებელი ობიექტების ერთეულებში, რომლებსაც სარგებლობენ მომხმარებლები,

პოსტელებში ან მსგავს გარემოში, კვების სერვისებში და მსგავს არასაცალო აპლიკაციებში.

- ეს პროდუქტი არ უნდა იქნას გამოყენებული ღია ან დახურულ გარე გარემოში, როგორცაა გემები, ბანაკის ფურგონები, აივნები ან ტერასები. პროდუქტის წვიმის, თოვლის, მზის და ქარის ზემოქმედებამ შეიძლება გამოიწვიოს ხანძრის გაჩენის რისკი.

1.2 ბავშვების, მოწყვლადი პირებისა და შინაური ცხოველების უსაფრთხოება



- ეს პროდუქტი შეიძლება გამოიყენონ 8 წელზე უფროსი ასაკის ბავშვებმა და განუვითარებელი ფიზიკური, სენსორული ან გონებრივი შესაძლებლობების ან გამოცდილების და ცოდნის ნაკლებობის მქონე პირებმა, თუ მათ

- მეთვალყურეობის ქვეშ იმყოფებიან ან მიიღებენ ინსტრუქციას მოწყობილობის უსაფრთხოდ გამოყენებისა და მასთან დაკავშირებული საფრთხის შესახებ.
- 3-დან 8 წლამდე ბავშვებს უფლება აქვთ მოათავსონ და ამოიღონ საკვები გამაგრებულ პროდუქტში.
- ბავშვებმა და შინაურმა ცხოველებმა არ უნდა ითამაშონ, აძვრნენ ან შევიდნენ პროდუქტის შიდა განყოფილებაში.
- ბავშვები და შინაური ცხოველები უნდა იყვნენ მოშორებით კამრისგან (კომპრესორი), სადაც განთავსებულია ელექტრული ნაწილები.
- დასუფთავება და მომხმარებლის მოვლა არ უნდა შესრულდეს ბავშვებმა, თუ მათზე ვინმე მეთვალყურეობს.
- შეინახეთ შესაფუთი მასალები ბავშვებისგან შორს. ტრავმისა და დახრჩობის რისკი.

- თუ პროდუქტის კარზე არის საკეტი, შეინახეთ გასაღები ბავშვებისთვის მიუწვდომელ ადგილას.

 **1.3 ელექტრო უსაფრთხოება**

- ინსტალაციის, მოვლის, გაწმენდის, შეკეთების და ტრანსპორტირების ოპერაციების დროს პროდუქტი არ უნდა იყოს შეერთებული განყოფილებაში.
- თუ დენის კაბელი დაზიანებულია, ის უნდა შეიცვალოს მწარმოებლის, ავტორიზებული სერვისის პროვაიდერის ან იმპორტიორის მიერ გაგზავნილი პირის მიერ, რათა თავიდან აიცილოთ პოტენციური საფრთხე.
- არ ჩადოთ დენის კაბელი პროდუქტის ქვეშ ან პროდუქტის უკანა მხარეს. არ დადოთ მძიმე ნივთები დენის კაბელზე. დენის კაბელი არ უნდა იყოს მოხრილი, დამსხვრეული და კონტაქტში რაიმე სითბოს წყაროსთან.

- გამოიყენეთ მხოლოდ ორიგინალური კაბელი. არ გამოიყენოთ გაჭრილი ან დაზიანებული კაბელები.
- არ გამოიყენოთ გაფართოების კაბელი, მრავალ შტეფსელი ან ადაპტერი თქვენი პროდუქტის მიუშაობისთვის.
- პორტატული მრავალ შტეფსელი ან პორტატული დენის წყარო შეიძლება გადახურდეს და გამოიწვიოს ხანძარი. ამდენად, არ გქონდეთ პორტატული დენის წყაროები პროდუქტის უკან ან მის მახლობლად.
- სანამ პროდუქტს დენის წყაროში შეაერთებთ, გთხოვთ, ამოიღოთ კვების კაბელი კონდენსატორის კაუჭიდან (თუ შესაძლებელია) ინსტალაციის დროს.
- ინსტალაციის შემდეგ მომხმარებელს არ უნდა შეეძლოს ელექტრულ ნაწილებთან მისვლა.
- არ შეაერთოთ პროდუქტის დენის კაბელი ფხვიერ ან დაზიანებულ დენში. ამ

- ტიპის კავშირები შეიძლება გადახურდეს და გამოიწვიოს ხანძარი.
- შტეფსელი ადვილად ხელმისაწვდომი უნდა იყოს. თუ ეს შეუძლებელია, ელექტრო ინსტალაციაზე ხელმისაწვდომი უნდა იყოს მექანიზმი, რომელიც აკმაყოფილებს ელექტრო კანონმდებლობას და რომელიც წყვეტს ქსელიდან ყველა ტერმინალს (დამკრავი, გადამრთველი, მთავარი ჩამრთველი და ა.შ.).
 - პროდუქტი არ უნდა მუშაობდეს გარე გადართვის მოწყობილობით, როგორცაა ტაიმერი ან დისტანციური მართვის სისტემა.
 - არ გამოიყენოთ პროდუქტი, როდესაც ფეხები შიშველია ან სხეული სველია.
 - არ შეეხოთ შტეფსელს სველი ხელებით.

- მოწყობილობის გამორთვისას არ დაიჭიროთ დენის კაბელი, არამედ შტეფსელი.
- დარწმუნდით, რომ შტეფსელი არ არის სველი, ჭუჭყიანი ან მტვრიანი.
- არასოდეს დაუკავშიროთ თქვენი პროდუქტი ენერჯის დამზოგველ მოწყობილობებს. ეს სისტემები საზიანოა პროდუქტისთვის.

1.4 მართვის უსაფრთხოება

- დარწმუნდით, რომ გამორთეთ მოწყობილობა პროდუქტის ტარებამდე.
- ეს პროდუქტი მძიმეა, არ გაუმკლავდეთ მას დამოუკიდებლად. დაზიანებები შეიძლება მოხდეს, თუ პროდუქტი თქვენზე მოხვდება. ტრანსპორტირებისას არ დაეჯახათ ადგილებს და არ ჩამოაგდოთ პროდუქტი.
- ყოველთვის დახურეთ კარები და ტრანსპორტირებისას პროდუქტი არ დაიჭიროთ მის კარებთან.

- ფრთხილად იყავით, რომ არ დააზიანოთ გაგრილების სისტემა და მილები პროდუქტის მუშაობისას. არ გამოიყენოთ პროდუქტი, თუ მილები დაზიანებულია და დაუკავშირდით უფლებამოსილ სერვისს.

 **1.5 ინსტალაციის უსაფრთხოება**

- პროდუქტის გამოსაყენებლად მოსამზადებლად იხილეთ ინფორმაცია მომხმარებლისა და ინსტალაციის სახელმძღვანელოში და დარწმუნდით, რომ ელექტრო და წყალმომარაგება არის საჭირო. თუ არა, დაურეკეთ კვალიფიციურ ელექტრიკოსს და სანტექნიკოსს, რათა მოაწყონ კომუნალური მომსახურება საჭიროებისამებრ.
- **ამის შეუსრულებლობამ შეიძლება გამოიწვიოს ელექტროშოკი, ხანძარი, პროდუქტთან**

დაკავშირებული პრობლემები ან დაზიანება.

- ინსტალაციის დაწყებამდე გამორთეთ დაუკრავენ ელექტროგადამცემი ხაზის გამორთვისთვის, რომელზედაც დაკავშირებულია პროდუქტი.
- პროდუქტი უნდა დამონტაჟდეს ორი ან მეტი ადამიანის მიერ. გამოიყენეთ დამცავი ხელთათმანები პროდუქტის შეფუთვიდან ამოღებისა და მონტაჟის დროს.
- ეს პროდუქტი განკუთვნილია ზღვის დონიდან 2000 მეტრზე მაქსიმალურ სიმაღლეზე გამოსაყენებლად.
- მოარიდეთ ბავშვები სამონტაჟო ადგილს.
- ინსტალაციამდე შეამოწმეთ პროდუქტის რაიმე დაზიანება. არ დააინსტალიროთ პროდუქტი, თუ ის დაზიანებულია.

- პროდუქტის ინსტალაციის, მოვლისა და შეკეთების დროს ყოველთვის გამოიყენეთ პირადი დამცავი აღჭურვილობა (ხელთათმანები და ა.შ.). ტრავმის რისკი.
- არ დააინსტალიროთ ან არ დატოვოთ პროდუქტი ისეთ ადგილებში, სადაც ის შეიძლება ექვემდებარებოდეს გარემოს გარე ტემპერატურას.
- მოათავსეთ პროდუქტი სუფთა, თანაბარ და მყარ ზედაპირზე და დააბალანსეთ იგი რეგულირებადი ფეხებით (წინა ფეხების მარჯვნივ ან მარცხნივ შებრუნებით). წინააღმდეგ შემთხვევაში, მაცივარი შეიძლება გადატრიალდეს და დაზიანებები გამოიწვიოს.
- გააგრძელეთ ფრთხილად, რათა თავიდან აიცილოთ იატაკის დაზიანება (კრამიტი და ა.შ.) პროდუქტის გადაადგილებისას. დააინსტალირეთ პროდუქტი იატაკზე, ან

მიაწოდეთ საკმარისი მხარდაჭერა პროდუქტის ზომის, წონისა და გამოყენების შემთხვევის მიხედვით. დარწმუნდით, რომ პროდუქტი არ არის სითბოს წყაროსთან ახლოს და ოთხივე ფეხი სტაბილურია და იატაკს ეყრდნობა. დააინსტალირეთ პროდუქტი საჭიროებისამებრ და დარწმუნდით, რომ ის ჰორიზონტალურია, ბუშტის დონის გამოყენებით. მაცივრის მიკროსქემის სრული ეფექტურობის უზრუნველსაყოფად, დაელოდეთ მინიმუმ ორი საათის განმავლობაში პროდუქტის გამოყენებამდე.

- პროდუქტი უნდა დამონტაჟდეს მშრალ და კენტილირებადი გარემოში. არ შეინახოთ ხალიჩები, ფარდაგები ან მსგავსი გადასაფარებლები პროდუქტის ქვეშ. ამან შეიძლება გამოიწვიოს

- ხანძრის რისკი
არაადეკვატური
ვენტილაციის შედეგად!
- არ დაბლოკოთ ან დაფაროთ სავენტილაციო ხვრელები. წინააღმდეგ შემთხვევაში, ენერჯის მოხმარება იზრდება და თქვენი პროდუქტი შეიძლება დაზიანდეს.
 - დატოვეთ საკმარისი ადგილი გვერდებზე და ზემოთ, რათა უზრუნველყოთ სათანადო ვენტილაცია. უფსკრული უკანა პანელსა და პროდუქტის უკან კედელს შორის უნდა იყოს მინიმუმ 50 მმ, რათა თავიდან იქნას აცილებული ცხელი ზედაპირები. ამ მანძილის შემცირებამ შეიძლება გაზარდოს პროდუქტის ენერჯის მოხმარება.
 - პროდუქტის განთავსებისას დარწმუნდით, რომ მიწოდების კაბელი არ არის დაზიანებული ან დაჭიმული.
 - პროდუქტი არ უნდა იყოს დაკავშირებული მიწოდების სისტემებთან

- და დენის წყაროებთან, რამაც შეიძლება გამოიწვიოს ძაბვის უეცარი ცვლილებები (ანუ მზის ენერჯის პორტატული წყარო). წინააღმდეგ შემთხვევაში, თქვენი პროდუქტის დაზიანება შეიძლება მოხდეს ძაბვის მკვეთრი რყევების შედეგად!
- რაც უფრო მეტ მაცივარს შეიცავს მაცივარი, მით უფრო დიდი უნდა იყოს მისი სამონტაჟო ოთახი. ძალიან პატარა ოთახებში, გამაგრებულ სისტემაში გაზის გაჟონვის შემთხვევაში შეიძლება გაჩნდეს აალებადი აირისა და ჰაერის ნარევი. ყოველი 8 გრამი მაცივრისთვის საჭიროა მინიმუმ 1 მ³ მოცულობა. თქვენს პროდუქტში არსებული გამაგრებულის რაოდენობა მითითებულია ტიპის ეტიკეტზე.
 - პროდუქტი არასოდეს უნდა განთავსდეს ისე, რომ დენის კაბელები, გაზქურის ლითონის შლანგი, ლითონის გაზის

ან წყლის მიღები
კონტაქტში მოხვდეს
პროდუქტის უკანა
კედელთან (ან
კონდენსატორთან).

- პროდუქტის სამონტაჟო ადგილი არ უნდა ექვემდებარებოდეს მზის პირდაპირ სხივებს და არ უნდა იყოს სითბოს წყაროსთან, როგორცაა ღუმელები, რადიატორები და ა.შ.
 - მინიმუმ 30 სმ დაშორებით სითბოს წყაროებიდან, როგორცაა ღუმელები, ღუმელები, გამათბობლები და გამათბობლები და ა.შ.
 - და მინიმუმ 5 სმ დაშორებით ელექტრო ღუმელებიდან.
- თქვენს პროდუქტს აქვს დაცვის კლასი I.
- შეაერთეთ პროდუქტი დამიწებულ სოკეტში, რომელიც შეესაბამება ტიპის ეტიკეტზე მითითებულ ძაბვის, დენის და სიხშირის მნიშვნელობებს. სოკეტს უნდა ჰქონდეს 10A – 16A

ფუჭი. ჩვენი ფირმა არ აიღებს პასუხისმგებლობას დამიწების გარეშე გამოყენებისა და ელექტროენერჯის მიერთების გარეშე, ადგილობრივი და ეროვნული რეგულაციების შესაბამისად, მიყენებული ზიანის გამო.

- ინსტალაციის დროს პროდუქტის კვების კაბელი უნდა იყოს გამორთული. წინააღმდეგ შემთხვევაში შეიძლება მოხდეს ელექტროშოკის და ტრავმის რისკი!
- არ შეაერთოთ პროდუქტი ფხვიერი, გატენილი, ჭუჭყიანი, ცხიმოვანი სოკეტებით ან სოკეტებით, რომლებიც გამოდიან სავარძლებიდან ან სოკეტებიდან წყლის შეხების საშიშროებით. ამ ტიპის კავშირები შეიძლება გადახურდეს და გამოიწვიოს ხანძარი.
- მოათავსეთ პროდუქტის დენის კაბელი და შლანგები (ასეთის

არსებობის შემთხვევაში) ისე, რომ მათ არ შეუქმნათ გადახრის საფრთხე.

- ტენიანობის და სითხის შეღწევამ ცოცხალ ნაწილებში ან დენის კაბელში შეიძლება გამოიწვიოს მოკლე ჩართვა. ამდენად, არ გამოიყენოთ პროდუქტი ნოტიო გარემოში ან იმ ადგილებში, სადაც შეიძლება წყალი ჩამოასხას (მაგ. ავტოფარეხი, სამრეცხაო და ა.შ.) თუ მაცივარი წყლით არის დასველებული, გამორთეთ იგი და დაუკავშირდით უფლებამოსილ სერვისს.
- არასოდეს დაუკავშიროთ თქვენი მაცივარი ენერჯის დამზოგველ მოწყობილობებს. ეს სისტემები საზიანოა პროდუქტისთვის.
- ელექტრონული დაფის და კომპრესორის უკანა საფარის მოხსნისას ელექტრო ნაწილებთან კონტაქტის რისკი არსებობს (თუ დამონტაჟებულია). არ

ამოიღოთ ელექტრონული დაფის საფარი და კომპრესორის უკანა საფარი (თუ დამონტაჟებულია). არსებობს ელექტროშოკის რისკი!



1.6 ოპერაციული უსაფრთხოება

- არასოდეს გამოიყენოთ ქიმიური გამხსნელები პროდუქტზე. ეს მასალები შეიცავს აფეთქების რისკს.
- პროდუქტის გაუმართაობის შემთხვევაში, გამორთეთ იგი (ან გამორთეთ ელექტრონული დამტენი, რომლითაც ის დაკავშირებულია) და არ იმუშავოთ მანამ, სანამ არ შეკეთდება ავტორიზებული სერვისის მიერ. არსებობს ელექტროშოკის საშიშროება!
- არ განათავსოთ ცეცხლი (ანთებული სანთელი, სიგარეტი და ა.შ.) ან სითბოს წყაროები (რკინა, კერძი, ღუმელი და ა.შ.) პროდუქტზე ან მის მახლობლად. არ

მოათავსოთ აალებადი/
ასაფეთქებელი მასალები
პროდუქტთან ახლოს...

- არ მოხვდეთ პროდუქტზე.
დაცემის და ტრავმის
საშიშროება!
- არ დააზიანოთ
გაგრილების სისტემის
მილები ბასრი და გამჭოლი
ხელსაწყოების
გამოყენებით. მაცივარი,
რომელიც აფრქვევს გაზის
მილების, მილების
გაფართოების ან ზედა
ზედაპირის საფარის
პუნქციის შემთხვევაში,
შეიძლება გამოიწვიოს
კანის გაღიზიანება და
თვალეების დაზიანება.
- არ ჩაერიოთ ან დააზიანოთ
გამაგრილებლის წრეში
აფეთქების რისკი.
- არ განათავსოთ და არ
გამოიყენოთ ელექტრო
მოწყობილობები
მაცივარში/საყინულეში,
გარდა იმ შემთხვევისა,
როდესაც ეს მწარმოებლის
მიერ არის რეკომენდაცია.
- არ გამოიყენოთ სხვა
პროცედურები, გარდა
მწარმოებლის მიერ

რეკომენდებული
გაღობის
დასაჩქარებლად.

- ფრთხილად იყავით, რომ
ხელის ან სხეულის
რომელიმე ნაწილი
პროდუქტის შიგნით
მოძრავ ნაწილებს არ
დააჭიროთ. ფრთხილად
იყავით, რომ მაცივარსა და
მის კარს შორის თითების
შეჭმუხნება არ მოხდეს.
ფრთხილად იყავით კარის
გაღების ან დახურვისას,
თუ ირგვლივ ბავშვები
არიან.
- ნაყინს, ყინულის კუბიკებს
ან გაყინულ საკვებს
საყინულედან
ამოღებისთანავე პირში ნუ
მიიტანთ. მოყინვის რისკი!
- არ შეეხოთ შიდა კედლებს,
საყინულის ლითონის
ნაწილებს ან საყინულეში
შენახულ საკვებს სველი
ხელით. მოყინვის რისკი!
- არ მოათავსოთ სოდაის
ქილა ან ქილა და
ბოთლები, რომლებიც
შეიცავს სითხეებს,
რომლებიც შეიძლება
გაყინული იყოს
საყინულეში. ქილა ან

- ბოთლი შეიძლება აფეთქდეს. ტრავმისა და მატერიალური ზიანის საშიშროება!
- არ გამოიყენოთ ან განათავსოთ ტემპერატურის მიმართ მგრძობიარე მასალები, როგორცაა აალებადი სპრეი, აალებადი საგნები, მშრალი ყინული ან სხვა ქიმიური აგენტები მაცივრის სიახლოვეს. ხანძრის და აფეთქების საშიშროება!
 - არ შეინახოთ ფეთქებადი მასალები, როგორცაა აეროზოლური ქილა აალებადი მასალებით პროდუქტის შიგნით.
 - არ მოათავსოთ სითხის შემცველი ქილა პროდუქტზე ღია მდგომარეობაში. ელექტრო ნაწილზე წყლის დაღვრამ შეიძლება გამოიწვიოს ელექტროშოკი ან ხანძარი.
 - გატეხვის რისკის გამო, საყინულეში არ შეინახოთ შუშის კონტეინერები სითხის შიგნით.
 - ეს პროდუქტი არ არის განკუთვნილი მედიკამენტების, სისხლის პლაზმის, ლაბორატორიული პრეპარატების ან მსგავსი მასალებისა და პროდუქტების შესანახად და გასაცეხლად, რომლებიც ექვემდებარება სამედიცინო პროდუქტების დირექტივას.
 - თუ პროდუქტი გამოიყენება მისი დანიშნულების საწინააღმდეგოდ, ამან შეიძლება გამოიწვიოს შიგნით შენახული პროდუქტების დაზიანება ან გაფუჭება.
 - თუ თქვენი მაცივარი აღჭურვილია ლურჯი შუქით, ნუ უყურებთ ამ შუქს ოპტიკური მოწყობილობებით. არ უყუროთ პირდაპირ UV LED ნათურებს დიდი ხნის განმავლობაში. ულტრაიისფერმა სხივებმა შეიძლება გამოიწვიოს თვალის დაზიანება.

- არ შეავსოთ პროდუქტი მის მოცულობაზე მეტი შიგთავსით. არ გამოიყენოთ სხვა პროცედურები, გარდა მწარმოებლის მიერ რეკომენდებული გალლობის დასაჩქარებლად. დაზიანებები ან დაზიანება შეიძლება მოხდეს, თუ მაცივრის შიგთავსი კარის გაღებისას დაეცემა. მსგავსი პრობლემები შეიძლება წარმოიშვას პროდუქტზე ნივთის მოთავსებისას.
- დარწმუნდით, რომ ამოიღეთ ყინული ან წყალი, რომელიც შეიძლება დაეცა იატაკზე, რათა თავიდან აიცილოთ დაზიანებები.
- შეცვალეთ თაროების/ ბოთლის თაროების მდებარეობა თქვენი მაცივრის კარზე მხოლოდ მაშინ, როცა თაროები ცარიელია. ტრავმის საშიშროება!
- არ მოათავსოთ საგნები, რომლებიც შეიძლება დაეცეს/გადატრიალდეს

- პროდუქტზე. ეს საგნები შეიძლება ჩამოვარდეს კარის გაღების ან დახურვისას და გამოიწვიოს დაზიანებები და/ან მატერიალური ზიანი.
- არ დაარტყა და არ მოახდინო ზედმეტი წნევა მინის ზედაპირებზე. გატეხილი მინა შეიძლება გამოიწვიოს დაზიანებები და/ან მატერიალური ზიანი.
- პროდუქტებისთვის, რომლებიც შექმნილია ჰაერის ფილტრის გამოსაყენებლად ხელმისაწვდომი ვენტილატორის საფარში, ფილტრი ყოველთვის უნდა იყოს პოზიციაზე, როდესაც მაცივარი მუშაობს.
- არ დაბლოკოთ ვენტილატორი (თუ შესაძლებელია) საკვებთან ერთად.
- დაზიანებული შუასადებები უნდა შეიცვალოს რაც შეიძლება მალე.

- თქვენს პროდუქტს შეიძლება ჰქონდეს სპეციალური განყოფილებები (ახალი საკვების განყოფილება, ნულოვანი ხარისხის განყოფილება და ა.შ.) თუ პროდუქტის შესაბამის სახელმძღვანელოში სხვა რამ არ არის მითითებული, ამ კუპონების ამოღება შესაძლებელია და პროდუქტის გამოყენება შესაძლებელია იმავე ფუნქციით.

- გაგრილების სისტემა თქვენს პროდუქტში შეიცავს R600a მაცივარს. პროდუქტში გამოყენებული მაცივრის ტიპი მითითებულია ტიპის ეტიკეტზე. ეს გაზი აალებადია. ამიტომ, პროდუქტის მუშაობისას ფრთხილად იყავით, რომ არ დააზიანოთ გაგრილების სისტემა და მილები. მილების დაზიანების შემთხვევაში;

1. არ შეეხოთ პროდუქტს ან დენის კაბელს.

2. შეინახეთ პროდუქტი ხანძრის პოტენციური წყაროებისგან, რამაც შეიძლება გამოიწვიოს პროდუქტის ხანძარი.
3. ვენტილირებადი ადგილი, სადაც პროდუქტია განთავსებული. არ გამოიყენოთ ვენტილატორი.
4. დაუკავშირდით ავტორიზებულ სერვისს. ძველი პროდუქტების გადაყრამდე, რომლებიც აღარ უნდა იქნას გამოყენებული:
 1. გამორთეთ დენის კაბელი ქსელიდან.
 2. გაჭერით დენის კაბელი და ამოიღეთ იგი დანადგარიდან შტეფსელთან ერთად.
 3. არ ამოიღოთ თაროები და უჯრები პროდუქტიდან, რათა ბავშვები არ მოხვდნენ მოწყობილობაში.
 4. ამოიღეთ კარები.
 5. შეინახეთ პროდუქტი ისე, რომ არ გადაიხაროს.
 6. არ დაუშვათ ბავშვებს ჯართით თამაში.

- 7. თუ პროდუქტი დაზიანებულია და შეამჩნევთ გაზის გაჟონვას, გთხოვთ, თავი შეიკავოთ გაზისგან. გაზმა შეიძლება გამოიწვიოს მოყინვა, თუ ის თქვენს კანს შეეხება.
- არ გადაადგოთ პროდუქტი ცეცხლში გადაადგებით. აფეთქების რისკი.
- თუ პროდუქტის კარზე არის საკეტი, შეინახეთ გასაღები ბავშვებისთვის მიუწვდომელ ადგილას.

1.7 სურსათის



შენახვის უსაფრთხოება

გთხოვთ, ყურადღება მიაქციოთ შემდეგ გაფრთხილებებს, რათა თავიდან აიცილოთ საკვების გაფუჭება:

- კარების დიდი ხნის განმავლობაში ღია დატოვებამ შეიძლება გამოიწვიოს პროდუქტის შიგნით ტემპერატურის მატება.

- რეგულარულად გაასუფთავეთ ხელმისაწვდომი სადრენაჟო სისტემები საკვებთან კონტაქტში.
- გაწმინდეთ წყლის რეზერვუარები, რომლებიც არ იყო გამოყენებული 48 საათის განმავლობაში და ქსელიდან იკვებება წყლის სისტემები, რომლებიც არ იყო გამოყენებული 5 დღეზე მეტი ხნის განმავლობაში.
- შეინახეთ უმი ხორცი და თევზის პროდუქტები პროდუქტის შესაბამის განყოფილებებში. ამრიგად, ის არ წვეთება და არ შედის კონტაქტში სხვა საკვებთან.
- საყინულე ორვარსკვლავიანი განყოფილებები გამოიყენება წინასწარ შევსებული საკვების შესანახად, ყინულისა და ნაყინის დასამზადებლად და შესანახად.
- ერთი, ორი და სამი ვარსკვლავიანი კუპე არ არის შესაფერისი ახალი საკვების გაყინვისთვის.

- თუ გამაგრებული პროდუქტი დიდი ხნის განმავლობაში დარჩა ცარიელი, გამორთეთ პროდუქტი, გაყინეთ, გაასუფთავეთ და გაამშრალეთ პროდუქტის კორპუსის დასაცავად.
- საკვების მოთავსების შემდეგ შეამოწმეთ, სწორად არის თუ არა კუპე ლუქები და განსაკუთრებით საყინულე კარი დაკეტილი.
- გამოიყენეთ მაცივრის განყოფილება ახალი საკვების შესანახად, ხოლო საყინულე განყოფილება გაყინული პროდუქტების შესანახად, ახალი საკვების გაყინვისა და ყინულის კუბების მოსამზადებლად.
- არ შეინახოთ საკვები სათანადოდ დალუქვის გარეშე მაცივარსა და საყინულე განყოფილებებში, რათა თავიდან აიცილოთ პირდაპირი კონტაქტი შიდა ზედაპირებთან.

1.8 მოვლა და დასუფთავების უსაფრთხოება



- გამორთეთ მაცივარი ან გამორთეთ ელექტრული დამტენი მის გაწმენდამდე ან შეკეთების დაწყებამდე.
- არ დააჭიროთ კარს ან კარის სახელურს, თუ პროდუქტის გადატანას აპირებთ დასუფთავების მიზნით. კარმა შეიძლება გამოიწვიოს დაზიანებები, თუ სახელური ძალიან ძლიერად არის გამოყვანილი.
- არ მოათავსოთ ხელები, ფეხები ან ლითონის საგნები თქვენი პროდუქტის ქვეშ ან მის უკან. შეიძლება მოხდეს ჭუჭყი ან ნებისმიერმა ბასრი კიდემ შეიძლება გამოიწვიოს პირადი დაზიანება.
- არ დაიბანოთ პროდუქტის შიდა და გარე ნაწილი წნევის სარეცხი საშუალებით, ორთქლით, შესხურებით ან დასალევი წყლით. ელექტრომოკის და ხანძრის საშიშროება.

- პროდუქტის გაწმენდისას არ გამოიყენოთ მკვეთრი და აბრაზიული იარაღები ან საყოფაცხოვრებო საწმენდი საშუალებები, სარეცხი საშუალებები, გაზი, ბენზინი, გამათხელებელი, სპირტი, ლაქი და მსგავსი ნივთიერებები. გამოიყენეთ მხოლოდ საწმენდი და მოვლის საშუალებები, რომლებიც არ არის საზიანო პროდუქტის შიგნით საკვებისთვის.
- არ გამოიყენოთ ქაღალდის პირსახოცები, სამზარეულოს ღრუბლები ან სხვა მყარი საწმენდი მასალები.
- არასოდეს გამოიყენოთ ორთქლი ან ორთქლზე მომზადებული საწმენდი მასალები პროდუქტის გასაწმენდად და მასში ყინულის გაღობისთვის. ორთქლი აკავშირებს თქვენს მაცივრის ცოცხალ ადგილებს და იწვევს მოკლე ჩართვას ან ელექტრო დარტყმას.

- არ გამოიყენოთ მექანიკური ხელსაწყოები ან სხვა ხელსაწყოები, გარდა მწარმოებლის რეკომენდაციებისა, დათბობის მუშაობის დასაჩქარებლად.
- იზრუნეთ, რომ წყალი მოარიდეთ სავენტილაციო ხვრელებს, ელექტრონულ სქემებს ან პროდუქტის განათებას. წინააღმდეგ შემთხვევაში, შეიძლება მოხდეს ხანძრის ან ელექტროშოკის რისკი.
- გამოიყენეთ სუფთა, მშრალი ქსოვილი, რათა წაშალოთ მტკერი ან უცხო მასალა შტეფსელების წვერებზე. არ გამოიყენოთ სველი ან ნესტიანი ქსოვილის ნაჭერი შტეფსელის გასაწმენდად. წინააღმდეგ შემთხვევაში, შეიძლება მოხდეს ხანძრის ან ელექტროშოკის რისკი.

 **1.9 განათება**

დაუკავშირდით უფლებამოსილ სერვისს, როდესაც შეცვალეთ LED / ნათურა განათებისთვის.

1.10 ძველი პროდუქტის განადგურება

ძველი პროდუქტის განადგურებისას მიჰყევით ქვემოთ მოცემულ ინსტრუქციას:

- იმისათვის, რომ ბავშვები შემთხვევით არ ჩაიკეტონ პროდუქტში, თუ არის კარის საკეტი, გამორთეთ იგი.
- გამაგრილებლის დაღვრა საზიანოა თვალისთვის. პროდუქტის განადგურებისას არ დააზიანოთ გაგრილების სისტემის რომელიმე ნაწილი.

- კომპრესორის ზეთის გადაყლაპვისას ან სასუნთქ გზებში შეღწევის შემთხვევაში შესაძლოა ფატალური იყოს.
- თქვენი პროდუქტის გაგრილების სისტემა მოიცავს R600a გაზს, როგორც მითითებულია ტიპის ეტიკეტზე. ეს გაზი აალებადია. არ გადაადგოთ პროდუქტი ცეცხლში გადაგდებით. აფეთქების რისკი!
- C-პენტანი გამოიყენება როგორც აფეთქება საიზოლაციო ქაფში და არის აალებადი ნივთიერება. არ გადაადგოთ პროდუქტი ცეცხლში გადაგდებით.

2 გარემოსდაცვითი ინსტრუქციები

2.1 WEEE დირექტივასთან შესაბამისობა და ნარჩენების პროდუქტის განადგურება



ეს პროდუქტი შეესაბამება ევროკავშირის WEEE დირექტივას (2012/19/EU). ამ პროდუქტს აქვს ნარჩენი ელექტრო და ელექტრონული

მოწყობილობების კლასიფიკაციის სიმბოლო (WEEE).

ეს სიმბოლო მიუთითებს, რომ ეს პროდუქტი არ უნდა განადგურდეს სხვა საყოფაცხოვრებო ნარჩენებთან ერთად მისი მომსახურების ვადის ბოლოს. გამოყენებული მოწყობილობა უნდა დაბრუნდეს ოფიციალურ შეგროვების პუნქტში ელექტრო და ელექტრონული მოწყობილობების გადამუშავებისთვის. ამ შეგროვების სისტემების საპოვნელად, გთხოვთ, დაუკავშირდეთ თქვენს ადგილობრივ ხელისუფლებას ან საცალო ვაჭრობას, სადაც პროდუქტი შეიძინა.

თითოეული ოჯახი მნიშვნელოვან როლს ასრულებს ძველი ტექნიკის აღდგენასა და გადამუშავებაში. გამოყენებული მოწყობილობის სათანადო განადგურება ხელს უწყობს პოტენციური უარყოფითი შედეგების თავიდან აცილებას გარემოსა და ადამიანის ჯანმრთელობაზე.

შესაბამისობა RoHS დირექტივასთან
თქვენ მიერ შეძენილი პროდუქტი შეესაბამება ევროკავშირის RoHS დირექტივას (2011/65/EU). ის არ შეიცავს დირექტივაში მითითებულ მავნე და აკრძალულ მასალებს.



ინფორმაცია პაკეტის შესახებ

პროდუქტის შესაფუთი მასალები დამზადებულია გადამუშავებადი მასალებისგან ჩვენი ეროვნული გარემოსდაცვითი რეგულაციების შესაბამისად. არ გადაყაროთ შესაფუთი მასალები საყოფაცხოვრებო ან სხვა ნარჩენებთან ერთად. წაიყვანეთ ისინი ადგილობრივი ხელისუფლების მიერ დანიშნულ შესაფუთი მასალის შეგროვების პუნქტებში.

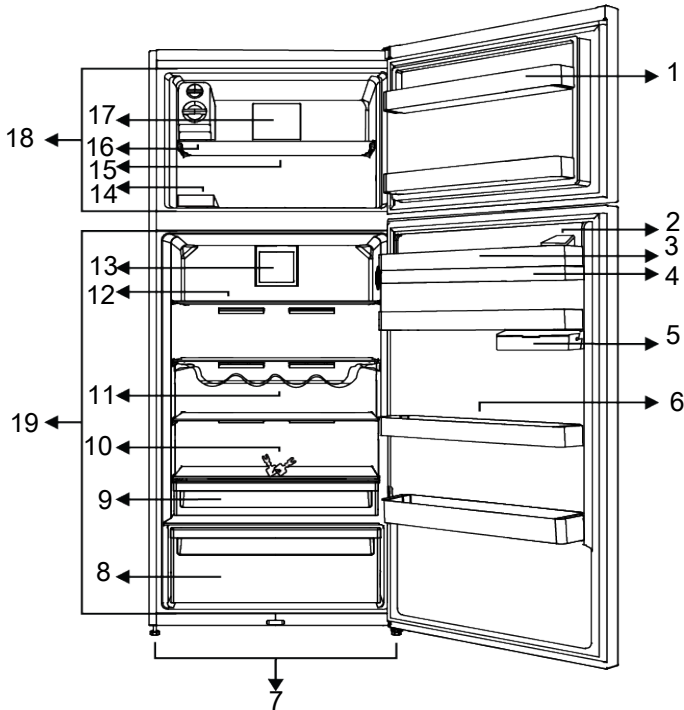
KA

CE შესაბამისობა სტანდარტებთან და ტესტის ინფორმაციას / EC შესაბამისობის დეკლარაცია

ამ პროდუქტის განვითარების, წარმოების და გაყიდვის ეტაპები შეესაბამება უსაფრთხოების წესებს ევროპის თანამეგობრობის ყველა შესაბამის სახელმძღვანელოში. 2014/35/EU, 2014/30/EU, 93/68/EC, IEC 60436/DIN 44990, EN 50242

3 თქვენი მაცივარი

KA



- | | |
|--|--|
| 1 *საყინულე განყოფილების კარის თარო | 2 * წყლის დისპენსერის შემავსებელი ავზი |
| 3 * ქულების განყოფილების კარის თარო | 4 * წყლის დისპენსერის რეზერვუარი |
| 5 * შესანახი კონტეინერი კარის თაროს ქვეშ | 6 * კარის მოძრავი თარო |
| 7 რეგულირებადი ფეხები | 8 * კრისპერი |
| 9 * ნულოვანი ხარისხის კუპე | 10 * საკეტი და გასაღები |
| 11 *ბოთლის თარო | 12 * გამაგრებული განყოფილების მინის თარო |
| 13 ფანი | 14 * ყინულის კონტეინერი |
| 15 საყინულე განყოფილების თარო | 16 * ყინულის დამზადების უნარი |
| 17 ფანი | 18 საყინულე განყოფილება |
| 19 გამაგრებული განყოფილება | |

***სურვილისამებრ:** ამ მომხმარებლის სახელმძღვანელოს ფიგურები სქემატურია და შესაძლოა ზუსტად არ ემთხვეოდეს თქვენს პროდუქტს. თუ

თქვენი პროდუქტი არ შეიცავს შესაბამის ნაწილებს, ინფორმაცია ეხება სხვა მოდელებს.

4 ინსტალაცია

ჯერ წაკითხეთ „უსაფრთხოების ინსტრუქციები“!

4.1 სწორი ადგილი ინსტალაციისთვის

დაუკავშირდით ავტორიზებულ სერვისის პროდუქტის ინსტალაციისთვის. პროდუქტის ინსტალაციისთვის მოსამზადებლად იხილეთ ინფორმაცია მომხმარებლის სახელმძღვანელოში და დარწმუნდით, რომ ელექტრო და წყალმომარაგება არის საჭირო. თუ არა, დაურეკეთ ელექტრიკოსს და სანტექნიკოსს, რათა მოაწყონ კომუნალური მომსახურება საჭიროებისამებრ.

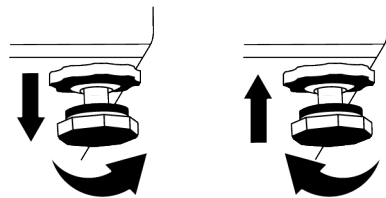
- მოათავსეთ პროდუქტი ბრტყელ ზედაპირზე, რათა თავიდან აიცილოთ ვიბრაცია
- მოათავსეთ პროდუქტი გამათბობელიდან, ღუმელიდან და მსგავსი სითბოს წყაროებიდან მინიმუმ 30 სმ და ელექტრო ღუმელიდან მინიმუმ 5 სმ დაშორებით.
- ორი გამაგრილებლის მიმდებარე ადგილას მოთავსებისას, დატოვეთ მინიმუმ 4 სმ მანძილი ორ ერთეულს შორის.
- შეინახეთ პროდუქტი მზის პირდაპირი სხივებისგან და მშრალ ადგილას.
- თქვენი პროდუქტი საჭიროებს ჰაერის ადექვატურ მიმოქცევას, რომ ეფექტურად იმუშაოს. თუ თქვენ მოათავსებთ პროდუქტს ხალიჩაში, განსოვდეთ, რომ დატოვოთ მინიმუმ

5 სმ დისტანცია პროდუქტსა და ჭერს, უკანა კედელსა და გვერდითა კედლებს შორის.

- შეამოწმეთ არის თუ არა უკანა კედლის დამცავი კომპონენტი მის ადგილას (თუ მოწოდებულია პროდუქტთან ერთად).
- თუ კომპონენტი მიუწვდომელია, ან თუ ის დაკარგულია ან დაეცა, განათავსეთ პროდუქტი ისე, რომ პროდუქტის უკანა ზედაპირსა და ოთახის კედელს შორის დარჩეს მინიმუმ 5 სმ. კლირენსი უკანა მხარეს მნიშვნელოვანია პროდუქტის ეფექტური მუშაობისთვის.

4.2 ფენების მორგება

თუ პროდუქტი არ არის დაბალანსებულ მდგომარეობაში, შეცვალეთ წინა რეგულირებადი ფენები მარჯვნივ ან მარცხნივ შებრუნებით.



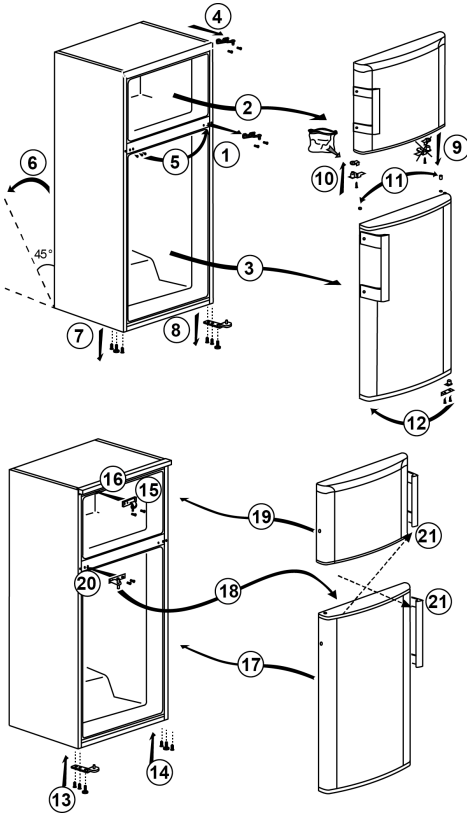
4.3 გაფრთხილება ცხელი ზედაპირის შესახებ

თქვენი პროდუქტის გვერდითი კედლები ალჭურვილია გამაგრილებელი მილებით გაგრილების სისტემის გასაუმჯობესებლად. მაღალი წნევის

სითხე შეიძლება მიედინება ამ ზედაპირებზე და გამოიწვიოს ცხელი

ზედაპირები გვერდითა კედლებზე. ეს ნორმალურია და არ საჭიროებს მომსახურებას.

5 კარის მიმართულების შეცვლა



6 მომზადება

ჯერ წაიკითხეთ „უსაფრთხოების ინსტრუქციები“!

6.1 რა უნდა გააკეთოს ენერჯის დაზოგვისთვის

• ეს სამაცივრო მოწყობილობა არ არის განკუთვნილი, როგორც ჩაშენებული მოწყობილობა.

- საკვების ჩატვირთვისას დატოვეთ საკმარისი ადგილი მაცივარში, რათა ჰაერის საკმარისი ცირკულაცია მოხდეს გაგრილებისთვის.
- იმის გამო, რომ ცხელი და ნოტიო ჰაერი პირდაპირ არ შეაღწევს თქვენს პროდუქტს, როდესაც კარები არ არის გახსნილი, თქვენი პროდუქტი ოპტიმიზაციას უკეთებს იმ პირობებში, რაც საკმარისია

- თქვენი საკვების დასაცავად. ამ პირობებში, ფუნქციები და კომპონენტები, როგორცაა კომპრესორი, ვენტილატორი, გამათბობელი, გაღობა, განათება, დისპლეი და ა.შ. იმუშავებს საჭიროების შესაბამისად, მინიმალური ენერჯის მოხმარებით.
- მრავალი ვარიანტის არსებობის შემთხვევაში, შუშის თაროები უნდა განთავსდეს ისე, რომ ჰაერის გასასვლელები უკანა კედელზე არ დაიბლოკოს და სასურველია ისე, რომ ჰაერის გასასვლელები დარჩეს შუშის თაროს ქვემოთ. ეს კომბინაცია ხელს შეუწყობს ჰაერის განაწილებისა და ენერგოეფექტურობის გაუმჯობესებას.
 - საკვები უნდა ინახებოდეს გამაგრილებელ განყოფილებაში არსებული უჯრების გამოყენებით, რათა უზრუნველყოფილი იყოს ენერჯის დაზოგვა და საკვები უკეთეს პირობებში დაიცვან.

6.2 პირველი გამოყენება

თქვენი პროდუქტის გამოყენებამდე დარწმუნდით, რომ საჭირო პრეპარატები მზადდება ინსტრუქციების შესაბამისად "უსაფრთხოების ინსტრუქციები" და "ინსტალაცია".

- დაელოდეთ მინიმუმ 2 საათი პროდუქტის გამოყენებამდე, რათა უზრუნველყოთ მაცივრის სრული ეფექტურობა.
- შეინახეთ პროდუქტი 6 საათის განმავლობაში შიგნით საკვების მოთავსების გარეშე და პროდუქტის კარი უნდა ინახებოდეს რაც შეიძლება დახურული.

- პროდუქტის გამოყენებისას კარის გახსნითა და დახურვით გამოწვეული ტემპერატურის ცვლილებამ ჩვეულებრივ შეიძლება გამოიწვიოს კონდენსაცია კარების/სხეულის თაროებზე და პროდუქტში მოთავსებულ მინის ჭურჭელზე.
- კომპრესორის ჩართვისას ხმა ისმის. ნორმალურია პროდუქტის ხმაური, მაშინაც კი, თუ კომპრესორი არ მუშაობს, რადგან სითხე და გაზი შეიძლება შეკუმშული იყოს გაგრილების სისტემაში.
- ნორმალურია, რომ პროდუქტის წინა კიდეები იყოს თბილი. ეს ადგილები შექმნილია გასათბობად, კონდენსაციის თავიდან ასაცილებლად
- ზოგიერთი მოდელისთვის ინდიკატორის პანელი ავტომატურად გამოირთვება კარის დახურვის შემდეგ 1 წუთის შემდეგ. ის ხელახლა გააქტიურდება კარის გაღების ან რომელიმე ლილაკის დაჭერისას.

6.3 კლიმატის კლასი და განმარტებები

გთხოვთ, გაეცნოთ კლიმატის კლასს თქვენი მოწყობილობის ნომინალურ ფირფიტაზე. ერთ-ერთი შემდეგი ინფორმაცია ვრცელდება თქვენს მოწყობილობაზე კლიმატის კლასის მიხედვით.

- **SN:** გრძელვადიანი ზომიერი კლიმატი: ეს გამაგრილებელი მოწყობილობა განკუთვნილია 10 °C-დან 32 °C-მდე გარემოს ტემპერატურაზე გამოსაყენებლად.

- **N:** ზომიერი კლიმატი: ეს გამაგრილებელი მოწყობილობა განკუთვნილია 16°C-დან 32°C-მდე გარემოს ტემპერატურაზე გამოსაყენებლად.
- **ST:** სუბტროპიკული კლიმატი: ეს გამაგრილებელი მოწყობილობა განკუთვნილია 16°C-დან 38°C-მდე გარემოს ტემპერატურაზე გამოსაყენებლად.

- **T:** ტროპიკული კლიმატი: ეს გამაგრილებელი მოწყობილობა განკუთვნილია 16°C-დან 43°C-მდე გარემოს ტემპერატურაზე გამოსაყენებლად.

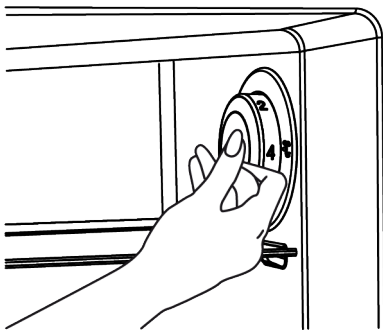
7 პროდუქტის გამოყენება

7.1 პროდუქტის გამოყენება

ტემპერატურის რეგულირების დილაკი

- ჯერ წაიკითხეთ "უსაფრთხოების ინსტრუქციები".

ნაჩვენები ფუნქციები არასტანდარტულია. თქვენი მოწყობილობის საინდიკაციო პანელზე განთავსებული ფუნქციების ფორმა და პოზიცია შეიძლება განსხვავებული იყოს. საინდიკაციო პანელის აუდიო და ვიზუალური ფუნქციები დაგენმარებათ მაცივრის გამოყენებაში.



თქვენი მაცივრის შიდა ტემპერატურა იცვლება ქვემოთ ჩამოთვლილი მიზეზების გამო:

სეზონური ტემპერატურა, კარის ხშირად გაღება და დიდი ხნის განმავლობაში ღია დატოვება,

კერძები, რომლებიც მოთავსებულია მაცივარში ცხელ მდგომარეობაში, ოთახის ტემპერატურამდე დაყვანის გარეშე,

მაცივრის მდებარეობა ოთახში (როგორცაა მზის სიცხეზე ზემოქმედება)

თქვენ შეგიძლიათ დაარეგულიროთ შიდა ტემპერატურა, რომელიც იცვლება ამ მიზეზების გამო კორექტირების ღილაკის საშუალებით.

რეგულირების ღილაკის გარშემო რიცხვები აჩვენებს ტემპერატურის ხარისხს, როგორც „°C“.

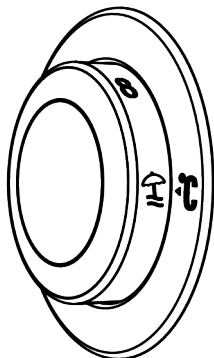
თუ გარემოს ტემპერატურა 25°C-ია, რეკომენდებულია მაცივრის ტემპერატურის რეგულირების ღილაკის გამოყენება 4°C-ზე. სხვა გარემო ტემპერატურაზე, ეს მნიშვნელობა შეიძლება გაიზარდოს ან შემცირდეს საჭიროების მიხედვით.

შვებულების ფუნქცია

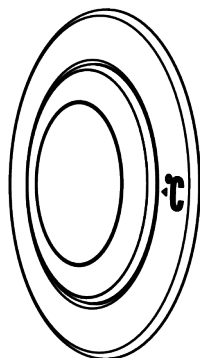
როდესაც მიღს შვებულების ფუნქციაში აქცევთ, შვებულების რეჟიმი გააქტიურდება.

ფუნქციის გასაუქმებლად, ღილაკის რეგულირება უნდა შეიცვალოს.

როდესაც შვებულების ფუნქცია აქტიურია, არ არის რეკომენდებული საკვების შენახვა გამაგრებულ განყოფილებაში.



რეგულირების დასრულების შემდეგ, შეგიძლიათ დამალოთ ტემპერატურის რეგულირების ღილაკი ღილაკის დაჭერით.



7.2 საკვების შენახვა საყინულეში და მაცივარში

საკვების შენახვა საყინულეში

- თქვენ შეგიძლიათ გაააქტიუროთ სწრაფი გაყინვის ფუნქცია გაყინვამდე 4-6 საათით ადრე და შეასრულოთ უფრო სწრაფი გაგრძელება.
- საყინულეში მოათავსეთ ცხელი კერძები ოთახის ტემპერატურამდე.

- გასაყინავი საკვები უნდა დაიყოს პორციებად მონმარებული ზომის მიხედვით და გაყინული ცალკე შეფუთვაში.
- რეკომენდებულია საკვების შეფუთვა საყინულეში მოთავსებამდე.
- შენახვის ვადის გასვლის თავიდან ასაცილებლად შეფუთვაზე დაწერეთ პროდუქტის გაყინვის თარიღი, დრო და დასახელება სხვადასხვა საკვების შენახვის ვადის მიხედვით.
- მიირთვით სწრაფად გაღობილი საკვები. გაყინული საკვების ხელახლა გაყინვა შეუძლებელია, სანამ არ არის მოხარშული. არ არის უსაფრთხო ხელახლა გაყინული საკვების მოხარება მოხარშვის გარეშე მათი გაყინვის შემდეგ.
- ახალი საკვების გაყინვისას, ნუ მიიყვანთ მათ კონტაქტში უკვე გაყინულ საკვებთან. წინააღმდეგ შემთხვევაში, გაყინული საკვები გაიყინება.

საკვების შენახვა, რომელიც იყიდება გაყინული

- საკვების შენახვისას დაიცავით ამ ინსტრუქციებში მითითებული დროის პერიოდები.
- საკვების ხარისხის დასაცავად, შეინარჩუნეთ დროის ინტერვალი შეძენის ტრანზაქციასა და შენახვას შორის რაც შეიძლება მოკლედ.
- შეიძინეთ გაყინული საკვები, რომელიც ინახება -18 °C ან დაბალ ტემპერატურაზე.
- მოერიდეთ საკვების ყიდვას, რომლის შეფუთვაც დაფარულია ყინულით და ა.შ. ეს ნიშნავს, რომ პროდუქტი შეიძლება ნაწილობრივ გაიყინოს და ხელახლა გაიყინოს. ტემპერატურა გავლენას ახდენს საკვების ხარისხზე.

- არ გადააჭარბოთ შენახვის დროს რეკომენდებული საკვების მწარმოებლის მიერ. საყინულედან ამოიღეთ მხოლოდ საკვები, რამდენიც გჭირდებათ.
- გარდა იმ შემთხვევებისა, როდესაც გარემოში ხელმისაწვდომია ექსტრემალური გარემოებები, თუ თქვენი პროდუქტი (რეკომენდებული კომპლექტის მნიშვნელობების ცხრილში) დაყენებულია მითითებულ დადგენილ მნიშვნელობებზე, საკვები უფრო დიდხანს ინარჩუნებს სიახლეს როგორც ახალი პროდუქტის განყოფილებაში, ასევე საყინულეში.
- თუ ახალი საკვების განყოფილება დაყენებულია დაბალ ტემპერატურაზე, ახალი ხილი და ბოსტნეული შეიძლება ნაწილობრივ გაყინული იყოს.

რეკომენდებული კომპლექტის მნიშვნელობების ცხრილი

საყინულე დეტალები

IEC 62552 სტანდარტების მიხედვით, საყინულეს უნდა ჰქონდეს შესაძლებლობა გაყინოს 4,5 კგ საკვები პროდუქტი -18°C-ზე ან დაბალ ტემპერატურაზე 25°C ოთახის ტემპერატურაზე 24 საათის განმავლობაში 100 ლიტრი საყინულე განყოფილების მოცულობისთვის. საკვები პროდუქტების შენახვა შესაძლებელია მხოლოდ -18 °C-ზე დაბალ ტემპერატურაზე დიდი ხნის განმავლობაში. შეგიძლიათ შეინახოთ საკვები ახალი თვეების განმავლობაში (საყინულეში -18 °C ტემპერატურაზე ან ქვემოთ).

გაყინული საკვები პროდუქტები არ უნდა ეხებოდეს შიგნით უკვე გაყინულ საკვებს, რათა თავიდან იქნას აცილებული ნაწილობრივი გაყინვა. მოხარშეთ ბოსტნეული და გაფილტრეთ წყალი გაყინული შენახვის ვადის გასაგრძელებლად. გაფილტვრის შემდეგ მოათავსეთ საკვები ჰერმეტიკულ შეფუთვაში და შედგით საყინულეში. ბანანი, პომიდორი, სალათის ფოთოლი, ნიახური, მოხარშული კვერცხი, კარტოფილი და მსგავსი საკვები პროდუქტები არ უნდა იყოს გაყინული. ამ პროდუქტების გაყინვის შემთხვევაში უარყოფითად იმოქმედებს მხოლოდ კვების ღირებულებები და კვების თვისებები. ლპობა, რომელიც საფრთხეს შეუქმნის ადამიანის ჯანმრთელობას, კითხვის ნიშნის ქვეშ არ არის.

საჭმლის განთავსება

საყინულე განყოფილების

თაროები: სხვადასხვა გაყინული საკვები, როგორცაა ხორცი, თევზი, ნაყინი, ბოსტნეული და ა.შ.

გამაგრებული განყოფილების

თაროები: საკვები ნივთები ქოთნებში, თავსახურიანი თეფში და თავსახურები, კვერცხი (დანურულ ყუთში)

გამაგრებული განყოფილების

კარის თაროები: მცირე და შეფუთული საკვები ან სასმელი
კრისპერი: ბოსტნეული და ხილი
ახალი საკვების განყოფილება: დელიკატესები (საუზმე, ხორცპროდუქტები მოკლე დროში უნდა მიირთვათ)

საკვების შენახვა გამაგრებულ განყოფილებაში

- კუპეში ტემპერატურა შესამჩნევად იზრდება, თუ კუპეს კარი ხშირად იღება და იხურება და დიდი ხნით ღია რჩება, ამან შეიძლება შეამციროს საკვების სიცოცხლის ხანგრძლივობა და გამოიწვიოს საკვების გაფუჭება.
- იმისათვის, რომ არ მოხდეს სუნის და გემოს ცვლილებები, საკვები უნდა ინახებოდეს დახურულ ჭურჭელში.
- არ შეინახოთ ძალიან ბევრი საკვები თქვენს მაცივარში. უკეთესი და ერთგვაროვანი გაგრძელების მისაღწევად, მოათავსეთ საკვები ცალ-ცალკე ისე, რომ მათში ცივი ჰაერი გაიაროს.
- უზრუნველყოს ჰაერის ნაკადი საკვებისა და შიდა კედელს შორის სივრცის დატოვების გზით. თუ საჭმელს უკანა კედელს მიაყრით, საკვები შეიძლება გაიყინოს.
- მოხარშული ცხელი კერძები მაცივარში შედგომამდე მიიტანეთ ოთახის ტემპერატურაზე. შემდეგ, შეგიძლიათ მოათავსოთ თბილ კვება თქვენი მაცივრის ქვედა თაროებზე. ნუ მოათავსებთ თბილ კერძებს იმ საკვებთან ახლოს, რომელიც შეიძლება ადვილად გაფუჭდეს.
- გაყინეთ თქვენი გაყინული საკვები სუფთა საკვების განყოფილებაში. ამრიგად, შეგიძლიათ გაყინოთ ახალი საკვების განყოფილება გაყინული საკვების გამოყენებით და დაზოგოთ ენერგია.
- მოუმწიფებელი ტროპიკული ხილის (მანგო, ნესვის ჯიშები, პაპაია, ბანანი, ანანასი) მაცივარში შენახვამ შეიძლება დააჩქაროს მომწიფების პროცესი. ეს არ არის რეკომენდებული, რადგან ეს გამოიწვევს შენახვის მოკლე დროს.

- ხახვი, ნიორი, კოჭა და სხვა ძირეული ბოსტნეული უნდა შეინახოთ ბნელ და ცივ ოთახში და არა მაცივარში.
- თუ შეამჩნევთ, რომ მაცივარში საკვები გაფუჭდა, გადაადგეთ ის და გაწმინდეთ მასთან შეხებაში მოხვედრილი აქსესუარები.
- იმისთვის, რომ კერძები, როგორცაა სუპები და ლუმელები, რომლებიც მოხარშულია დიდ ქვაბებში, სწრაფად გაცივდეს, შეგიძლიათ მოათავსოთ ისინი მაცივარში საკუთარ ზედაპირულ კონტეინერებში გაყოფით.
- დაუფასოებელი საკვები არ მოათავსოთ კვერცხთან ახლოს.
- შეინახეთ ხილი და ბოსტნეული ცალკე და შეინახეთ თითოეული ჯიშის ერთად (მაგალითად, ვაშლი ვაშლით, სტაფილო სტაფილოთი).
- ამოიღეთ მწვანე ბოსტნეული პლასტმასის პარკიდან და შედგით მაცივარში ქაღალდის პირსახოცში ან გაშრობის ქსოვილში გახვევის შემდეგ. თუ ამ ტიპის საკვებს მაცივარში მოათავსებამდე გარეცხავთ, გახსოვდეთ მათი გაშრობა.
- თქვენ შეგიძლიათ შექმნათ ნესტიანი გარემო და უზრუნველყოთ ჰაერის ნაკადი ხილისა და ბოსტნეულის შენახვით, რომლებიც მიდრეკილია გაშრობისკენ, პერფორირებულ ან დალუქულ პლასტმასის ჩანთებში.
- გარდა იმ შემთხვევებისა, როდესაც გარემოში ხელმისაწვდომია ექსტრემალური გარემოებები, თუ თქვენი პროდუქტი (რეკომენდებული კომპლექტის მნიშვნელობების ცხრილში) დაყენებულია მითითებულ დადგენილ მნიშვნელობებზე,

საკვები უფრო დიდხანს ინარჩუნებს სიახლეს როგორც ახალი პროდუქტის განყოფილებაში, ასევე საყინულეში.

შეინახეთ სხვადასხვა საკვები სხვადასხვა ადგილას მათი თვისებების მიხედვით.

KA

საჭმელი	მდებარეობა
კვრცხი	კარის თარო
რძის პროდუქტები (კარაქი, ყველი)	თუ შესაძლებელია, ნულოვანი ხარისხის განყოფილება (საუზმისთვის).
ხილი, ბოსტნეული და გამწვანება	ხილ-ბოსტნეულის კუპე, კრისპერი ან EverFresh+ განყოფილება (თუ შესაძლებელია)
ახალი ხორცი, ფრინველი, თევზი, ძეხვი და ა.შ. მონარმული საკვები	თუ შესაძლებელია, ნულოვანი ხარისხის განყოფილება (საუზმისთვის).
მზადაა მიირთვათ საკვები, დაფასოებული პროდუქტები, კონსერვები და მწნილები	ზედა თაროები ან კარის თარო
სასმელები, ბოთლები, სანელებლები და საჭმელები	კარის თარო

7.3 კარის ღია გაფრთხილება

თქვენი მაცივრის კარის ღია გაფრთხილების სისტემა შეიძლება განსხვავდებოდეს მოდელის მიხედვით.

ვერსია 1;

თუ პროდუქტის კარი ღია რჩება გარკვეული დროის განმავლობაში (60-დან 120 წმ-მდე), ისმის აუდიო გამაფრთხილებელი სიგნალი; პროდუქტის მოდელიდან გამომდინარე, ასევე შეიძლება გამოჩნდეს ვიზუალური გამაფრთხილებელი სიგნალი (შუქის ციმციმი). თუ დახურავთ მოწყობილობის კარს ან დააჭერთ ღილაკს მოწყობილობის ეკრანზე, ასეთის არსებობის შემთხვევაში, გამაფრთხილებელი ხმა შეწყდება.

ვერსია 2;

თუ მოწყობილობის კარი ღია რჩება გარკვეული პერიოდის განმავლობაში (60 წმ-დან 120 წმ-მდე), ისმის კარის გაღების სიგნალი. კარის გაღების სიგნალი თანდათან ისმის. პირველ რიგში, ხმოვანი გაფრთხილება იწყება. 4 წუთის შემდეგ, თუ კარი ჯერ კიდევ არ არის დაკეტილი, გააქტიურებულია ვიზუალური გაფრთხილება (განათების შუქი). კარის გაღების გაფრთხილება გადაიდება გარკვეული პერიოდის განმავლობაში (60 წამიდან 120 წმ-მდე), როდესაც დააჭირეთ პროდუქტის ეკრანზე რომელიმე ღილაკს, ასეთის არსებობის შემთხვევაში. შემდეგ პროცესი კვლავ დაიწყება. როდესაც მოწყობილობის კარი დაიხურება, კარის გახსნის გაფრთხილება გაუქმდება.

8 პროდუქტის მანასიათებლები

8.1 Crisper Technologies

ლოურჯი შუქი

ცისფერი შუქით განათებულ კრისპერებში შენახული ხილი და ბოსტნეული აგრძელებს ფოტოსინთეზს ლოურჯი სინათლის ტალღის სიგრძის ეფექტის მეშვეობით და ამით ინარჩუნებს ვიტამინების შემცველობას.

HarvestFresh

ხილი და ბოსტნეული ინახება კრისპერებში განათებულ HarvestFresh ტექნოლოგია უფრო დიდხანს ინარჩუნებს მათ ვიტამინებს ლოურჯი, მწვანე, წითელი განათების და მუქი ციკლების წყალობით, რომლებიც ახდენენ დღის ციკლის სიმულაციას. როდესაც თქვენი მაცივრის კარი იღება ბნელ პერიოდში HarvestFresh ტექნოლოგიით, თქვენი მაცივარი ავტომატურად გრძნობს ამას და ანათებს კრისპერს ერთ-ერთი ლოურჯი, მწვანე ან წითელი შუქით, შესაბამისად თქვენი მოხერხებულობისთვის. მას შემდეგ, რაც მაცივრის კარს დახურავთ, ბნელი პერიოდი გაგრძელდება, რომელიც წარმოადგენს ღამის საათს დღის ციკლში.

8.2 ყინულის შესანახი ადგილი

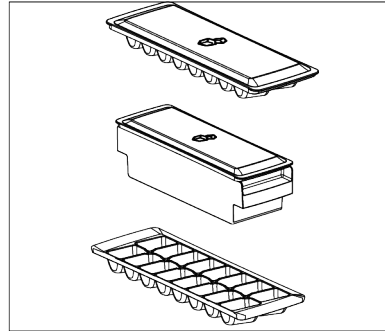
ყინულის კონტეინერი

ყინულის თაიგული საშუალებას გაძლევთ მარტივად აიღოთ ყინული მაცივრიდან.

ყინულის თაიგულის გამოყენება

1. ამოიღეთ ყინულის თაიგული საყინულედან.
2. შეავსეთ ყინულის თაიგული წყლით.

3. მოათავსეთ ყინულის თაიგული საყინულეში. ყინული მზად იქნება დაახლოებით ორი საათის შემდეგ.
4. აიღეთ ყინულის თაიგული საყინულედან და ოდნავ მოხარეთ დამჭერზე, რომლის მიწოდებას აპირებთ. ყინული ადვილად ჩაედინება კერძში.



8.3 კვერცხის დამჭერი

შეგიძლიათ კვერცხის დამჭერი მოათავსოთ კარზე ან სხეულის თაროზე, რომელიც გსურთ. თუ კვერცხის დამჭერი უნდა დადოთ სხეულის თაროზე, გირჩევთ აირჩიოთ უფრო ცივი ქვედა თაროები.

- არასოდეს მოათავსოთ კვერცხის დამჭერი საყინულე განყოფილებაზე.

8.4 კრისპერი

მაცივრის კრისპერი შექმნილია ბოსტნეულის სიახლის შესანარჩუნებლად მათი ტენიანობის შენარჩუნებით. ამ მიზნით კრისპერში გაძლიერებულია ცივი ჰაერის საერთო ცირკულაცია. შეინახეთ ხილი და ბოსტნეული ამ განყოფილებაში. ცალ-ცალკე შეინახეთ მწვანე ფოთლოვანი ბოსტნეული და ხილი მათი სიცოცხლის გასახანგრძლივებლად.

9 მოვლა და დასუფთავება

ჯერ წაიკითხეთ „უსაფრთხოების ინსტრუქციები“!

პროდუქტის გაწმენდამდე გამორთეთ იგი ან გათიშეთ დამცავი, რომლითაც ის დაკავშირებულია.

არ მოათავსოთ ხელები, ფეხები ან ლითონის საგნები მაცივრის ქვეშ ან მაცივარსა და იატაკს შორის რაიმე მიზეზით. შეიძლება დაფიქსირდეს გაჭედვა ან ნებისმიერმა ბასრმა კიდეშ შეიძლება გამოიწვიოს პირადი დაზიანება.

- არ გამოიყენოთ ბასრი ან აბრაზიული ხელსაწყოები პროდუქტის გასაწმენდად. არ გამოიყენოთ ისეთი მასალები, როგორცაა საყოფაცხოვრებო საწმენდი საშუალებები, საპონი, სარეცხი საშუალებები, გაზი, ბენზინი, გამხსნელი, სპირტი, ცვილი და ა.შ.
- მტკერი უნდა მოშორდეს სავენტილაციო ცხაურადაც პროდუქტის უკანა მხარეს მინიმუმ წელიწადში ერთხელ (საფარის გახსნის გარეშე). გაწმინდეთ პროდუქტი მშრალი ქსოვილით.
- იზრუნეთ, რომ წყალი არ იყოს ნათურის საფარიდან და სხვა ელექტრო ნაწილებისგან.
- გაწმინდეთ კარი ნესტიანი ქსოვილით. ამოიღეთ მთელი შიგთავსი კარების და კორპუსის თაროების მოსახსნელად. ამოიღეთ კარის თაროები ზევით აწევით. გაასუფთავეთ და გაამშრალეთ თაროები, შემდეგ დააბრუნეთ ადგილზე ზემოდან სრიალის გზით.
- არ გამოიყენოთ ქლორირებული წყალი ან საწმენდი საშუალებები პროდუქტის გარე ზედაპირზე და

ქრომირებული ნაწილებზე. ქლორი გამოიწვევს ჟანგს ასეთ მეტალის ზედაპირებზე.

- არ გამოიყენოთ ბასრი და აბრაზიული იარაღები, საპონი, სახლის საწმენდი მასალები, სარეცხი საშუალებები, გაზი, ბენზინი, ლაქი და მსგავსი ნივთიერებები პლასტმასის ნაწილზე ანაბეჭდების დეფორმაციისა და მოცილების თავიდან ასაცილებლად. დასუფთავებისთვის გამოიყენეთ თბილი წყალი და რბილი ქსოვილი, შემდეგ კი გააშრეთ.
- პროდუქტებზე No-Frost ფუნქციის გარეშე, წყლის წვეთები და ყინული თითის სისქემდე შეიძლება აღმოჩნდეს გამაგრებული განყოფილების უკანა კედელზე. არ გაასუფთავოთ და არასოდეს წაისვათ ზეთები ან მსგავსი მასალები.
- პროდუქტის გარე ზედაპირის გასასუფთავებლად გამოიყენეთ მხოლოდ მსუბუქად დასველებული მიკრობოჭკოვანი ქსოვილი. ღრუბლებმა და სხვა სახის საწმენდმა ტანსაცმელმა შეიძლება გამოიწვიოს ნაკაწრები.
- პროდუქტის შიდა ზედაპირის გაწმენდის დროს ყველა მოსახსნელი კომპონენტის გასაწმენდად, ეს კომპონენტები გარეცხეთ რბილი ხსნარით, რომელიც შედგება საპნის, წყლისა და კარბონატისგან. გარეცხეთ და გააშრეთ კარგად. თავიდან აიცილეთ წყლის კონტაქტი განათების კომპონენტებთან და მართვის პანელთან.

- არ გამოიყენოთ ძმარი, ალკოჰოლი ან ალკოჰოლზე დაფუძნებული სხვა საწმენდი საშუალებები შიდა ზედაპირებზე.

უქანგავი ფოლადის გარე ზედაპირები
გამოიყენეთ არააბრაზიული უქანგავი ფოლადის საწმენდი საშუალება და წაისვით იგი რბილი, უქანგავი ქსოვილით. გასაპრიალებლად, ნაზად წაშალეთ ზედაპირი წყლით დასველებული მიკრობოჭკოვანი ქსოვილით და გამოიყენეთ მშრალი გასაპრიალებელი არჩვი. ყოველთვის მიჰყევით უქანგავი ფოლადის ძარღვებს.

სუნის პრევენცია

პროდუქტი დამზადებულია ყოველგვარი სუნის მასალისგან. თუმცა, საკვების არასათანადო

შენახვამ და შიდა ზედაპირების არასწორმა გაწმენდამ შეიძლება გამოიწვიოს სუნი.

- ამის თავიდან ასაცილებლად, ყოველ 15 დღეში ერთხელ გაიწმინდეთ შიგთავსი გაზიანი წყლით.
- შეინახეთ საკვები დალუქულ ჭურჭელში, რადგან დალუქულ ჭურჭელში შენახული საკვებისგან წარმოქმნილი მიკროორგანიზმები ცუდ სუნს გამოიწვევენ.
- არ შეინახოთ ვადაგასული და გაფუჭებული საკვები მაცივარში.

პლასტიკური ზედაპირების დაცვა

პლასტმასის ზედაპირებზე დაღვრილმა ზეთმა შეიძლება დააზიანოს ზედაპირი და დაუყოვნებლივ უნდა გაიწმინდოს თბილი წყლით.

10 პრობლემების მოგვარება

ჯერ წაიკითხეთ „უსაფრთხოების ინსტრუქციები“!

სერვისთან დაკავშირებამდე შეამოწმეთ ეს სია. ამით დაზოგავთ დროსა და ფულს. ეს სია მოიცავს ხშირ საჩივრებს, რომლებიც არ არის დაკავშირებული გაუმართავ სამუშაოსთან ან მასალებთან. აქ ნახსენები გარკვეული ფუნქციები შეიძლება არ ეხებოდეს თქვენს პროდუქტს.

თუ პრობლემა შენარჩუნებულია ამ განყოფილების ინსტრუქციების შესრულების შემდეგ, დაუკავშირდით თქვენს გამყიდველს ან ავტორიზებულ სერვისს. ნუ ეცდებით პროდუქტის შეკეთებას.

მაცივარი არ მუშაობს.

- დენის შტეფსელი ბოლომდე არ არის დაყენებული. >>> შეაერთეთ ის, რომ მთლიანად ჩაჯდეს სოკეტში.

- პროდუქტის კვების წყაროსთან ან მთავარ დაუკრავენ, რომელიც დაკავშირებულია პროდუქტთან, აფეთქებულია. >>> შეამოწმეთ დაუკრავენ.

კონდენსაცია გამაგრებლის განყოფილების გვერდით კედელზე (MULTI ZONE, COOL CONTROL და FLEXI ZONE).

- კარი ძალიან ხშირად იღება. >>> ფრთხილად იყავით, რომ პროდუქტის კარი ძალიან ხშირად არ გაალოთ.
- გარემო ზედმეტად ნოტიოა. >>> არ დააინსტალიროთ პროდუქტი ტენიან გარემოში.
- სითხეების შემცველი საკვები ინახება დალუქულ საცავებში. >>> შეინახეთ სითხეების შემცველი საკვები დალუქულ საცავებში.
- პროდუქტის კარი ღიაა. >>> არ შეინახოთ პროდუქტის კარი ღიად დიდი ხნის განმავლობაში.

- თერმოსტატი დაყენებულია ძალიან გრილ ტემპერატურაზე. >>> დააყენეთ თერმოსტატი შესაბამის ტემპერატურაზე.

კომპრესორი არ მუშაობს.

- ელექტროენერგიის უყვარი გათიშვის ან კვების ბლოკის გამორთვისა და ხელახლა ჩართვის შემთხვევაში, გაზის წნევა პროდუქტის გაგრილების სისტემაში არ არის დაბალანსებული, რაც იწვევს კომპრესორის თერმულ დაცვას. პროდუქტი განახლდება დაახლოებით 6 წუთის შემდეგ. თუ პროდუქტი არ განახლდება ამ პერიოდის შემდეგ, დაუკავშირდით სერვისს.
- გაყინვა აქტიურია. >>> ეს ნორმალურია სრულად ავტომატური გაყინვის პროდუქტისთვის. გაყინვა ხდება პერიოდულად.
- პროდუქტი არ არის ჩართული. >>> დარწმუნდით, რომ კვების კაბელი ჩართულია.
- ტემპერატურის პარამეტრი არასწორია. >>> აირჩიეთ შესაბამისი ტემპერატურის პარამეტრი.
- დენი გამორთულია. >>> პროდუქტი ჩვეულ რეჟიმში განაგრძობს ფუნქციონირებას დენის აღდგენის შემდეგ.

მაცივრის მუშაობის ხმაური იზრდება გამოყენებისას.

- პროდუქტის ოპერაციული შესრულება შეიძლება განსხვავდებოდეს გარემოს ტემპერატურის ცვალებადობის მიხედვით. ეს ნორმალურია და არ არის გაუმართაობა.

მაცივარი ძალიან ხშირად ან ძალიან დიდხანს მუშაობს.

- ახალი პროდუქტი შეიძლება იყოს უფრო დიდი ვიდრე წინა. უფრო დიდი პროდუქტები უფრო დიდხანს იმუშავებს.
- ოთახის ტემპერატურა შეიძლება იყოს მაღალი. >>> პროდუქტი ჩვეულებრივ იმუშავებს დიდი ხნის განმავლობაში მაღალ ოთახის ტემპერატურაზე.
- პროდუქტი შეიძლება ახლახან იყო მიერთებული ან შიგნით მოთავსებულია ახალი საკვები. >>> პროდუქტს უფრო მეტი დრო დასჭირდება, რათა მიაღწიოს დადგენილ ტემპერატურას, როდესაც ახლახან ჩართულია ან შიგნით ახალი საკვები მოთავსდება. ეს ნორმალურია.
- დიდი რაოდენობით ცხელი საკვები შესაძლოა ახლახან მოთავსებულიყო პროდუქტში. >>> არ მოათავსოთ პროდუქტში ცხელი საკვები.
- კარებს ხშირად ხსნიდნენ ან დიდხანს ინახავდნენ ღია. >>> შიგნით მოძრავი თბილი ჰაერი გამოიწვევს პროდუქტის ხანგრძლივ მუშაობას. არ გააღოთ კარები ძალიან ხშირად.
- საყინულე ან მაცივრის კარი შეიძლება იყოს გაშლილი. >>> შეამოწმეთ, რომ კარები სრულად დახურულია.
- პროდუქტი შეიძლება დაყენდეს ძალიან დაბალ ტემპერატურაზე. >>> დააყენეთ ტემპერატურა უფრო მაღალ ხარისხზე და დაელოდეთ პროდუქტის დარეგულირებულ ტემპერატურას.
- მაცივრის ან საყინულე კარის სარეცხი მანქანა შეიძლება იყოს ჭუჭყიანი, გაცვეთილი, გატეხილი ან არასწორად დაყენებული. >>>

გაასუფთავეთ ან შეცვალეთ შუასადებები. დაზიანებული/ დახეული კარის გამრეცხი გამოიწვევს პროდუქტის უფრო ხანგრძლივ მუშაობას მიმდინარე ტემპერატურის შესანარჩუნებლად.

საყინულე ტემპერატურა ძალიან დაბალია, მაგრამ უფრო მაგარი ტემპერატურა ადეკვატურია.

- საყინულე განყოფილების ტემპერატურა დაყენებულია ძალიან დაბალ ხარისხზე. >>> დააყენეთ საყინულე განყოფილების ტემპერატურა უფრო მაღალ ხარისხზე და კვლავ შეამოწმეთ.

გამაგრილებელი ტემპერატურა ძალიან დაბალია, მაგრამ საყინულე ტემპერატურა ადეკვატურია.

- გამაგრილებელი განყოფილების ტემპერატურა დაყენებულია ძალიან დაბალ ხარისხზე. >>> დააყენეთ გამაგრილებლის განყოფილების ტემპერატურა უფრო მაღალ ხარისხზე და კვლავ შეამოწმეთ.

საკვები პროდუქტები, რომლებიც იწახება გრილ განყოფილების უჯრებში, გაყინულია.

- გამაგრილებელი განყოფილების ტემპერატურა დაყენებულია ძალიან დაბალ ხარისხზე. >>> დააყენეთ გამაგრილებლის განყოფილების ტემპერატურა უფრო მაღალ ხარისხზე და კვლავ შეამოწმეთ.

მაცივარში ან საყინულეში ტემპერატურა ძალიან მაღალია.

- გამაგრილებლის განყოფილების ტემპერატურა დაყენებულია ძალიან მაღალ ხარისხზე. >>> მაცივრის განყოფილების ტემპერატურის დაყენება გავლენას ახდენს საყინულე განყოფილების ტემპერატურაზე. დაელოდეთ სანამ

- შესაბამისი ნაწილების ტემპერატურა საკმარის დონეს მიაღწევს გამაგრილებლის ან საყინულე განყოფილებების ტემპერატურის შეცვლით.
- კარებს ხშირად ხსნიდნენ ან დიდხანს ინახავდნენ ღია. >>> არ გაალო კარები ძალიან ხშირად.
- კარი შეიძლება გაღებული იყოს. >>> კარი მთლიანად დახურეთ.
- პროდუქტი შეიძლება ახლახან იყო მიერთებული ან შიგნით მოთავსებულია ახალი საკვები. >>> ეს ნორმალურია. პროდუქტს უფრო მეტი დრო დასჭირდება, რათა მიაღწიოს დადგენილ ტემპერატურას, როდესაც ახლახან ჩართულია ან შიგნით ახალი საკვები იქნება მოთავსებული.
- დიდი რაოდენობით ცხელი საკვები შესაძლოა ახლახან მოთავსებულიყო პროდუქტში. >>> არ მოათავსოთ პროდუქტში ცხელი საკვები.

რხევა ან ხმაური.

- ზედაპირი არ არის ბრტყელი ან გამძლე >>> თუ პროდუქტი ნელა მოძრაობს, შეცვალეთ სადგამები პროდუქტის დასაბალანსებლად. ასევე დარწმუნდით, რომ ნიადაგი საკმარისად გამძლეა პროდუქტის ასატანად.
- პროდუქტზე მოთავსებულმა ნებისმიერმა ნივთმა შეიძლება გამოიწვიოს ხმაური. >>> ამოიღეთ პროდუქტზე განთავსებული ნებისმიერი ნივთი.
- პროდუქტი გამოსცემს სითხის გადინების ხმაურს, შესხურებას და ა.შ.
- პროდუქტის მუშაობის პრინციპები მოიცავს თხევადი და აირის ნაკადებს. >>> ეს ნორმალურია და არა გაუმართაობა.

პროდუქტიდან ისმის ქარის ხმა.

- გაგრძელების პროცესისთვის პროდუქტი იყენებს ვენტილატორის. ეს ნორმალურია და არ არის გაუმართაობა.

პროდუქტის შიდა კედლებზე არის კონდენსაცია.

- ცხელი ან ნოტიო ამინდი გაზრდის ყინვას და კონდენსაციას. ეს ნორმალურია და არ არის გაუმართაობა.
- კარებს ხშირად ხსნიდნენ ან დიდხანს ინახავდნენ ღია. >>> არ გაალო კარები ძალიან ხშირად; თუ ღიაა, დახურეთ კარი.
- კარი შეიძლება გაღებული იყოს. >>> კარი მთლიანად დახურეთ.

პროდუქტის ექსტერიერზე ან კარებს შორის არის კონდენსაცია.

- ატმოსფერული ამინდი შეიძლება იყოს ნოტიო, ეს საკმაოდ ნორმალურია ნოტიო ამინდში. >>> ტენიანობის შემცირებისას კონდენსაცია გაიფანტება.

ინტერიერს ცუდი სუნი ასდის.

- პროდუქტი რეგულარულად არ იწმინდება. >>> რეგულარულად გაასუფთავეთ ინტერიერი ღრუბლის, თბილი და გაზიანი წყლით.
- ზოგიერთმა დამჭერმა და შესაფუთმა მასალამ შეიძლება გამოიწვიოს სუნი. >>> გამოიყენეთ დამჭერები და შესაფუთი მასალები სუნის გარეშე.
- საკვები მოთავსებული იყო დალუქულ საყრდენებში. >>> შეინახეთ საკვები დალუქულ სათავსოებში. მიკროორგანიზმებმა შეიძლება გავრცელდეს დალუქული საკვებიდან და გამოიწვიოს ცუდი სუნი.

- ამოიღეთ ვადაგასული ან გაფუჭებული საკვები პროდუქტიდან.

კარი არ იკეტება.

- საკვების შეფუთვამ შეიძლება ბლოკოს კარი. >>> გადაიტანეთ ნებისმიერი ნივთი, რომელიც ბლოკავს კარებს.
- პროდუქტი არ დგას სრულ ვერტიკალურ მდგომარეობაში მიწაზე. >>> დაარეგულირეთ სადგამები პროდუქტის დასაბალანსებლად.
- ზედაპირი არ არის ბრტყელი ან გამძლე >>> დარწმუნდით, რომ ზედაპირი ბრტყელია და საკმარისად გამძლეა პროდუქტის ასატანად.

კრისპერი გაჭედლილია.

- საკვები პროდუქტები შეიძლება შენებაში იყოს უჯრის ზედა ნაწილთან. >>> მოაწესრიგეთ საკვები პროდუქტები უჯრაში.

ტემპერატურა პროდუქტის ზედაპირზე.

- მაღალი ტემპერატურა შეიძლება შეინიშნოს ორ კარს შორის, გვერდითა პანელებზე და უკანა გრილის ზონაზე, სანამ თქვენი პროდუქტი მუშაობს. ეს ნორმალურია და არ საჭიროებს მომსახურებას.

ვენტილაციური აგრძელებს მუშაობას კარის გაღებისთანავე.

- ვენტილაციური შეიძლება გააგრძელოს მუშაობა, როდესაც საყინულე კარი ღიაა.

თუ პრობლემა შენარჩუნებულია ამ განყოფილების ინსტრუქციების შესრულების შემდეგ, დაუკავშირდით თქვენს გამყიდველს ან ავტორიზებულ სერვისს. ნუ ეცდებით პროდუქტის შეკეთებას. ეს ნორმალურია.

