

SLER30423SS

30" Slide-In Electric Range



GENERAL PROPERTIES

| | |
|--|--|
| Type | Slide-In |
| Size | 30" |
| Finish | Stainless Steel |
| Ergonomic Tilted Control and Display Panel | Yes |
| Oven Control Type | Electronic Controls with Multi-Color LED Display |
| Cooktop Control Type | Knob Control |
| Control Key Lock | Yes |
| Drawer Type | Storage |
| Exterior Side Walls | Black |
| Fuel Type | Electric |



DESIGN
AWARD
2023



reddot winner 2023

PREMIUM TECHNOLOGY



ERGONOMIC TILTED CONTROL AND DISPLAY PANEL

Ergonomic and Stylish: Elevate Your Cooking Experience with an Inclined Control Panel Range. New Beko Slide-in Ranges come with an inclined control panel which offers a user-friendly and ergonomic design that makes it easy to view and adjust cooking settings.



SPACIOUS OVEN INTERIOR FOR CULINARY CREATIVITY

For the cook who enjoys some extra room, Beko's oven interiors are one of the most spacious in their class. With this expanded oven space, you can cook multiple dishes at once or accommodate large roasts and baking sheets with ease. Enjoy the ultimate cooking convenience and unleash your culinary creativity with our range's spacious and versatile interior.

SLER30423SS



30" Slide-In Electric Range

OVEN FEATURES & FUNCTIONS

| | |
|------------------------------------|---|
| Capacity | 5.2 cu. ft. (Main Oven) + 1.4 cu. ft. (Storage Drawer) |
| Convection Type | - |
| Functions | 7 |
| Cooking Functions | Bake, Broil, Roast, Bread Proof |
| Pyrolytic Self-Cleaning | Yes** |
| Sabbath Mode | Yes |
| Door Cooling System | 4 Pane Heat-Resistant Glass (Inner Glass Removable) |
| Interior Illumination | 1 x Halogen Lights |
| Oven Racks | 2 |
| Oven Rack Positions | 6 |
| 12-24 Hour Clock Format | Yes |
| Preheat Indicator (Audible Signal) | Yes |

COOKTOP – FEATURES & PERFORMANCE

| | |
|--------------------------|--------------------------------------|
| Zone Configuration | 4 Vitroceramic |
| Front Left | Dual 5" / 8" - 750 W / 2,200 W |
| Rear Left | 8" - 2,200 W |
| Center | - |
| Front Right | Dual 9" / 12" - 1,800 W / 3,000 W |
| Rear Right | 8" - 2,200 W |
| Simmer Function | Yes |
| Residual Heat Indicators | Yes |

TECHNICAL INFORMATION

| | |
|-------------------|----------------------------------|
| Volts / Frequency | 120-240 V, 60Hz |
| Min. Amps (A) | 40 A |
| Power Cord | Required, Purchase Separately |

DIMENSIONS & WEIGHT

| | |
|---------------------------------------|--|
| Product (H x W x D) (in) | 36 ⁹ / ₁₆ * x 29 ¹⁵ / ₁₆ x 29 |
| Depth (Incl. Handle) (in) | 29 |
| Depth (w/o Handle) (in) | 28 ³ / ₄ |
| Interior (H x W x D) (in) | 17 ³ / ₁₆ x 24 ¹ / ₄ x 19 ¹ / ₂ |
| Adjustable Leveling Feet | Yes |
| Required Cutout Size (H x W x D) (in) | 36 x 30 x 25 |
| Carton (H x W x D) (in) | 40 ²³ / ₆₄ x 32 ²⁵ / ₃₂ x 30 ³ / ₈ |
| Product Weight (lbs) | 210 |
| Shipping Weight (lbs) | 265 |

ACCESSORIES (INCLUDED)

| | |
|------------------|-----|
| Anti-Tip Bracket | Yes |
|------------------|-----|

ACCESSORIES (OPTIONAL / NOT INCLUDED)

| | |
|---|--------|
| Height-Adjustable Telescopic Roller-Rack | RT3001 |
|---|--------|

WARRANTY

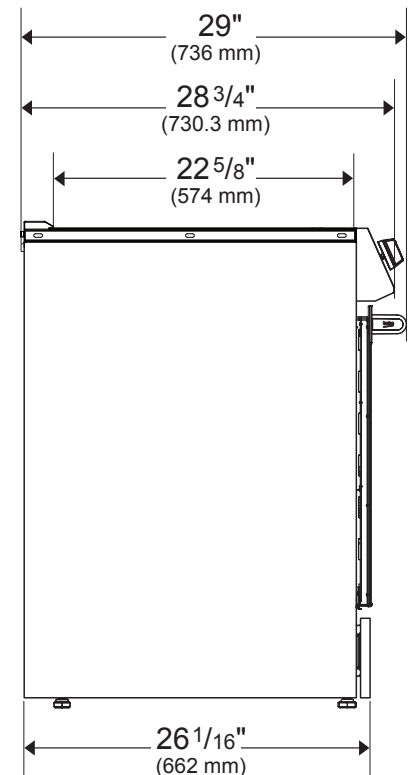
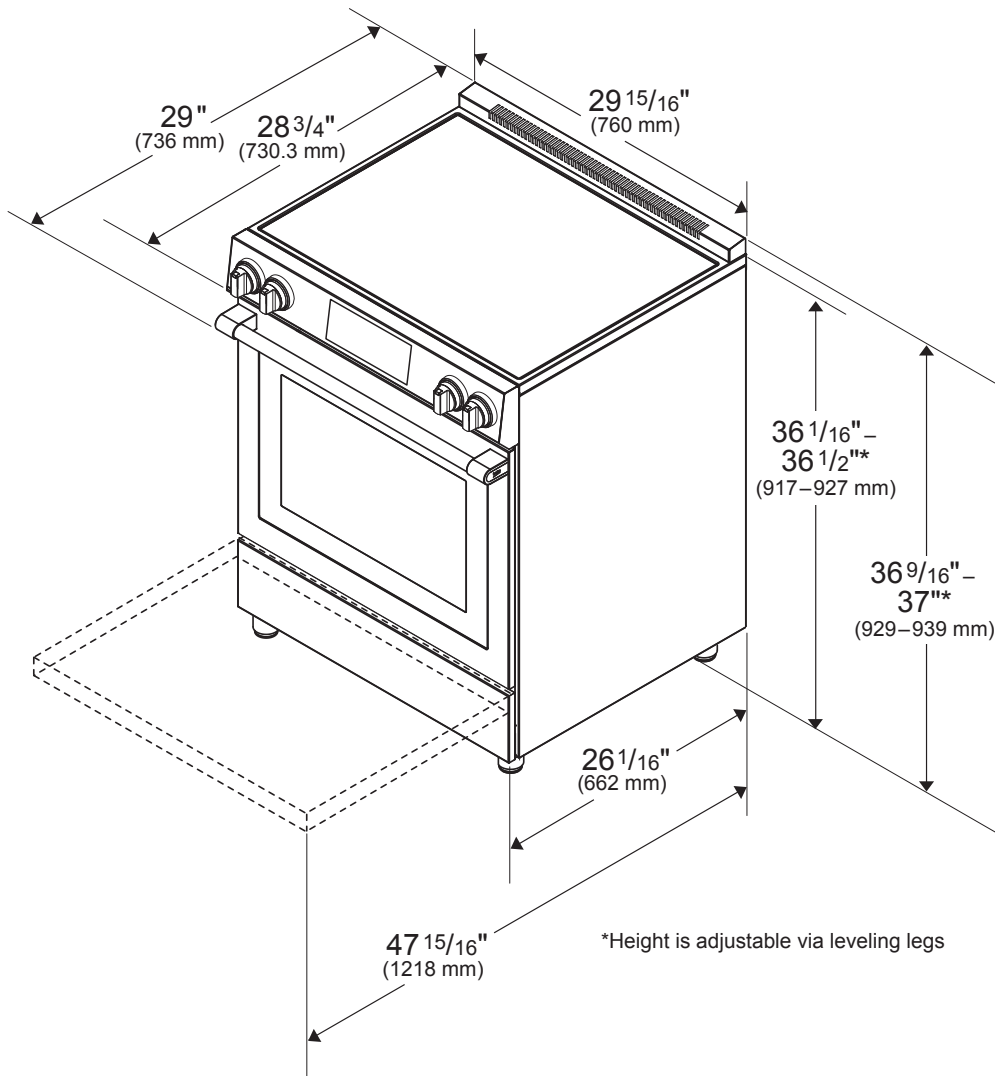
| | |
|---------------|----------------------|
| Parts & Labor | 2-Year Full Warranty |
|---------------|----------------------|

*Height is adjustable to 37" via leveling legs **Oven racks need to be removed during the self-cleaning

SLER30423SS



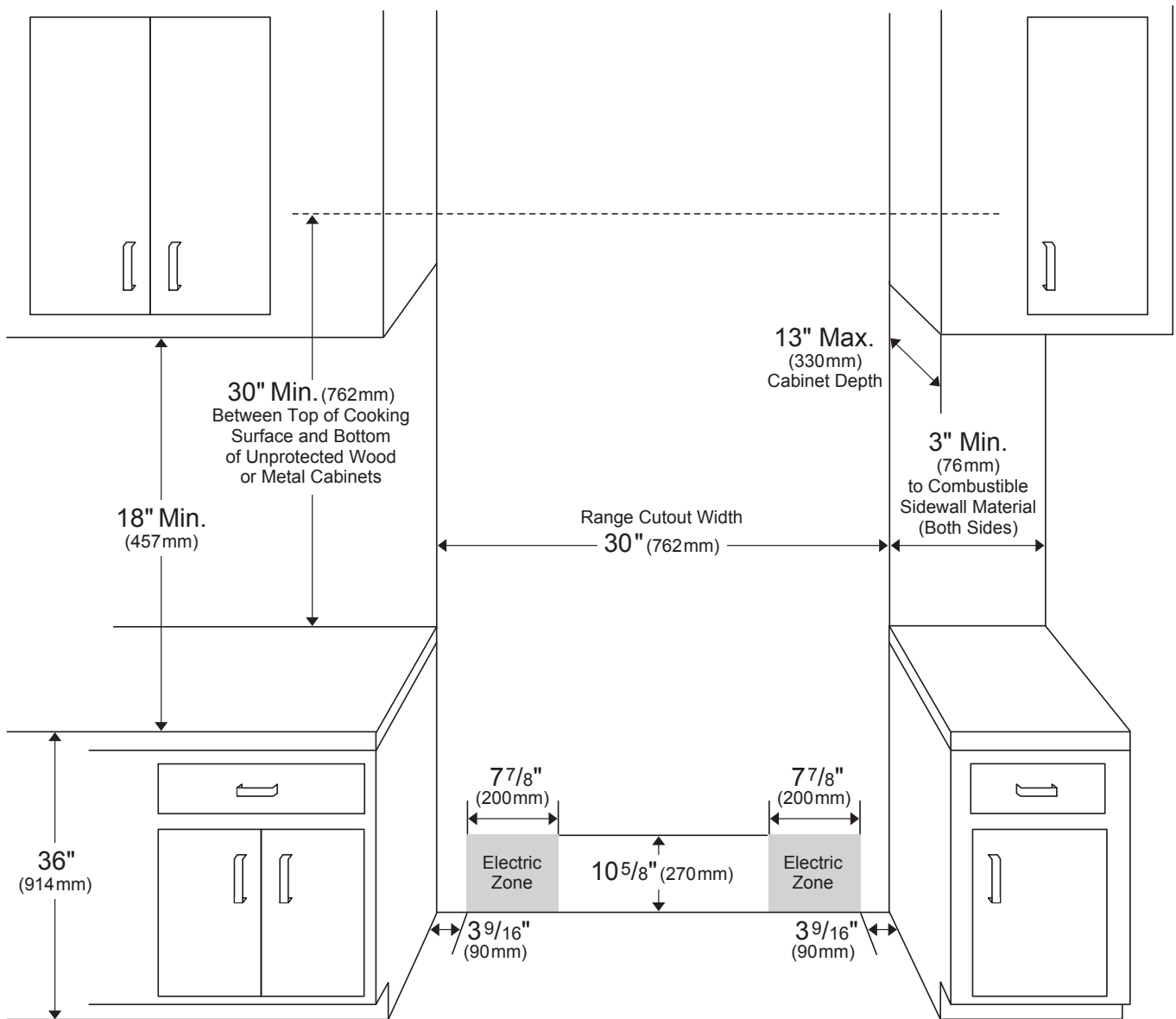
30" Slide-In Electric Range



SLER30423SS



30" Slide-In Electric Range



NOTE TO THE INSTALLER: All height, width, and depth dimensions are shown in inches (as well as metric). Beko U.S., Inc. reserves the absolute and unrestricted right to change product materials and specifications, at any time, without notice. Please visit our website, www.BekoAppliances.com, or call 888.352.2356 to verify the latest specifications with final dimensional data and other details prior to installation and making a cutout. Applicable product limited warranty information may be found in accompanying product materials, or you may contact your account manager for further details. Proper installation is the responsibility of the installer. Product failure due to improper installation is not covered under the Limited Warranty.