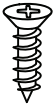
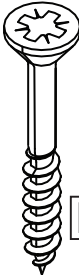
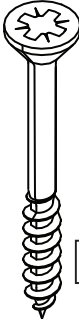
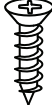





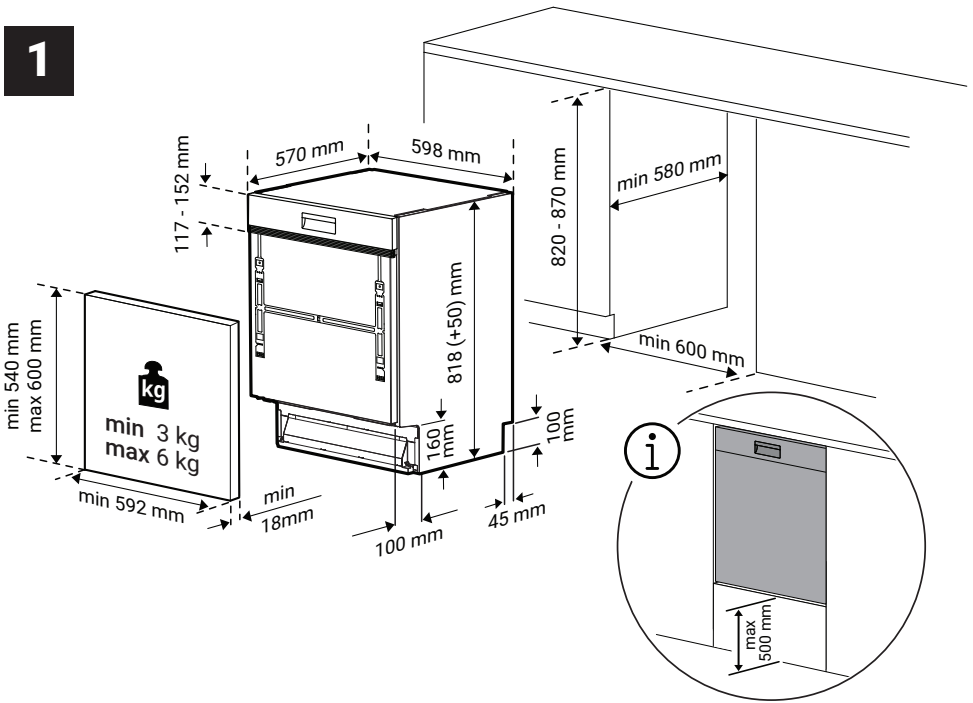
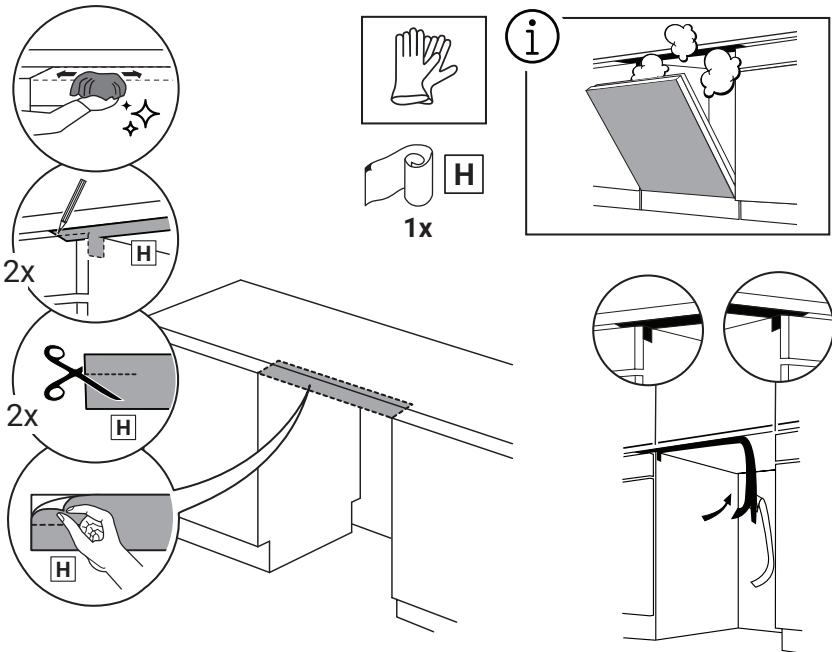


<p>Ø 4 x 13 mm</p>  <p>A</p> <p>4x</p>	<p>Ø 4 x 36 mm</p>  <p>B</p> <p>4x</p>	<p>Ø 4 x 42 mm</p>  <p>C</p> <p>2x</p>	<p>Ø 3,5 x 14 mm</p>  <p>E</p> <p>4x</p>	 <p>H</p> <p>1x</p>
 <p>S</p> <p>1x</p>	 <p>L</p> <p>1x</p>	 <p>R</p> <p>1x</p>	 <p>F</p> <p>4x</p>	

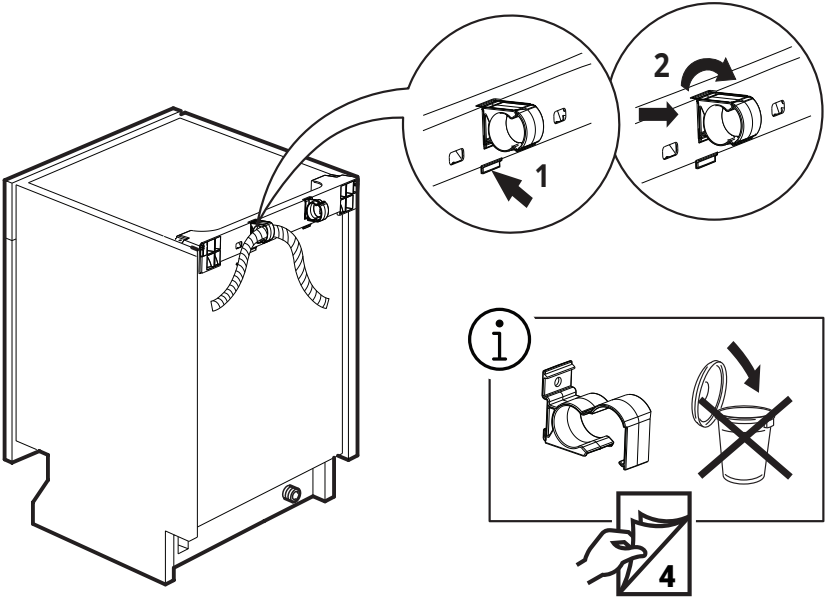
1



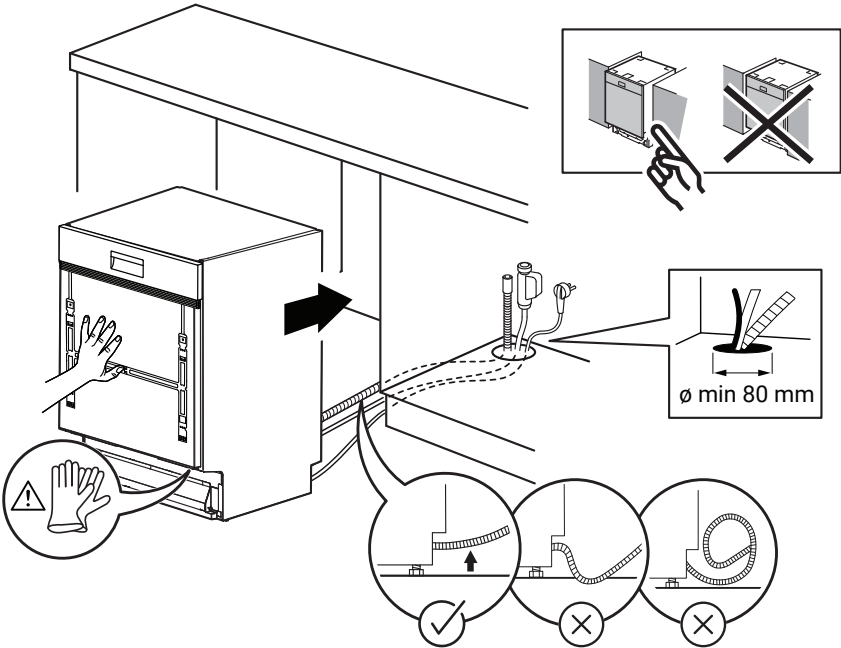
2



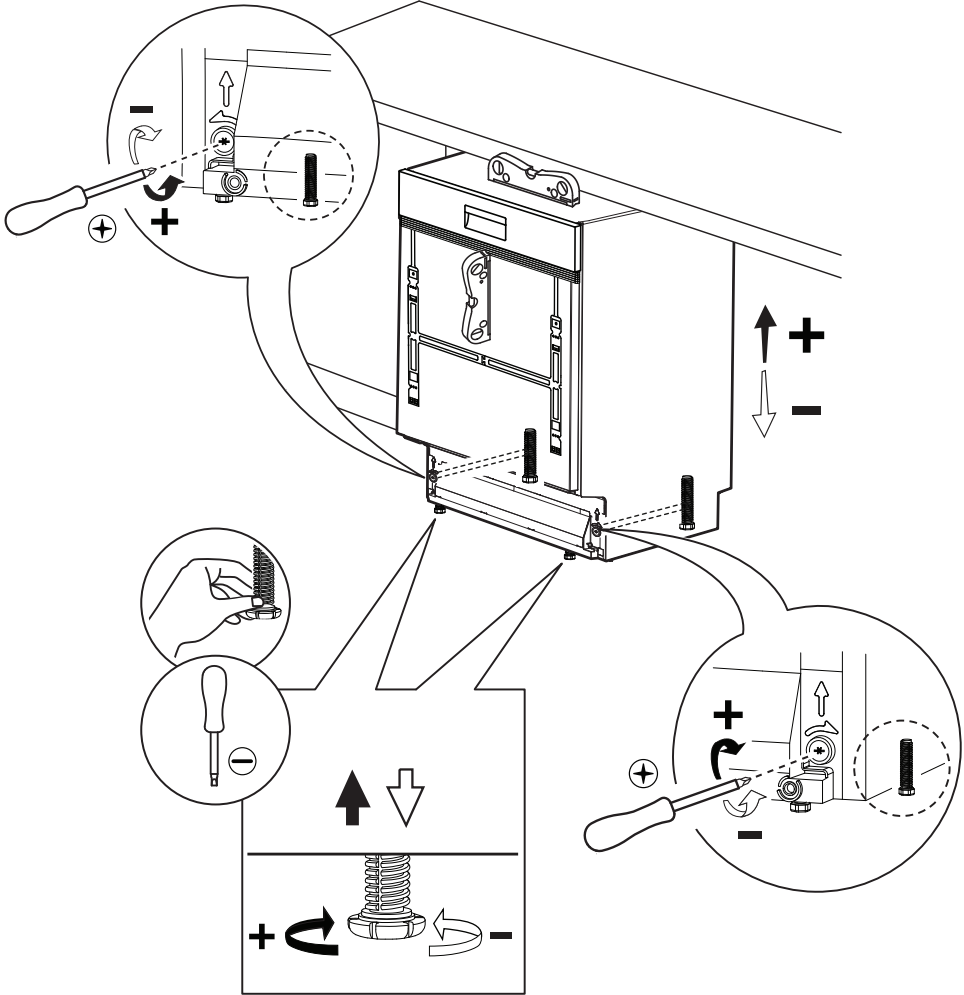
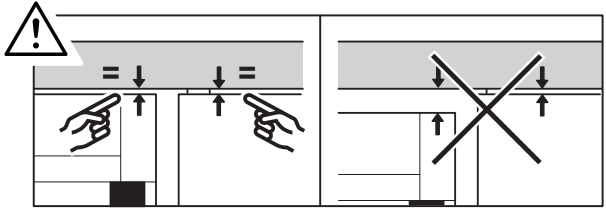
3



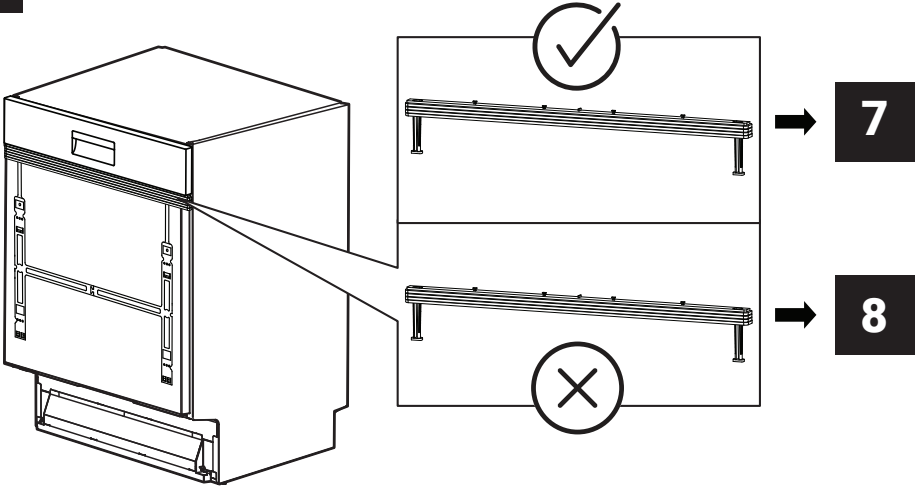
4



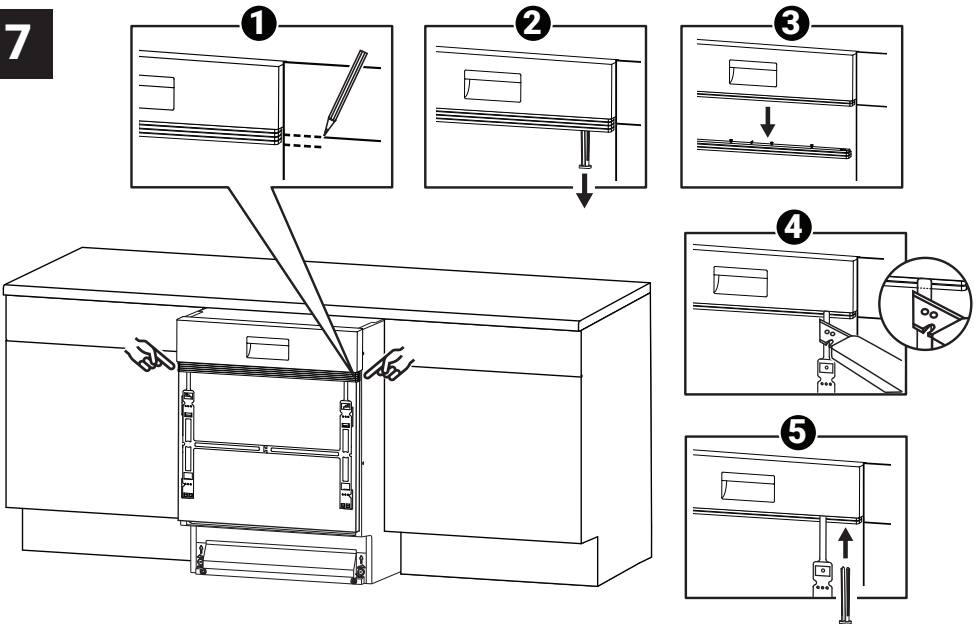
5



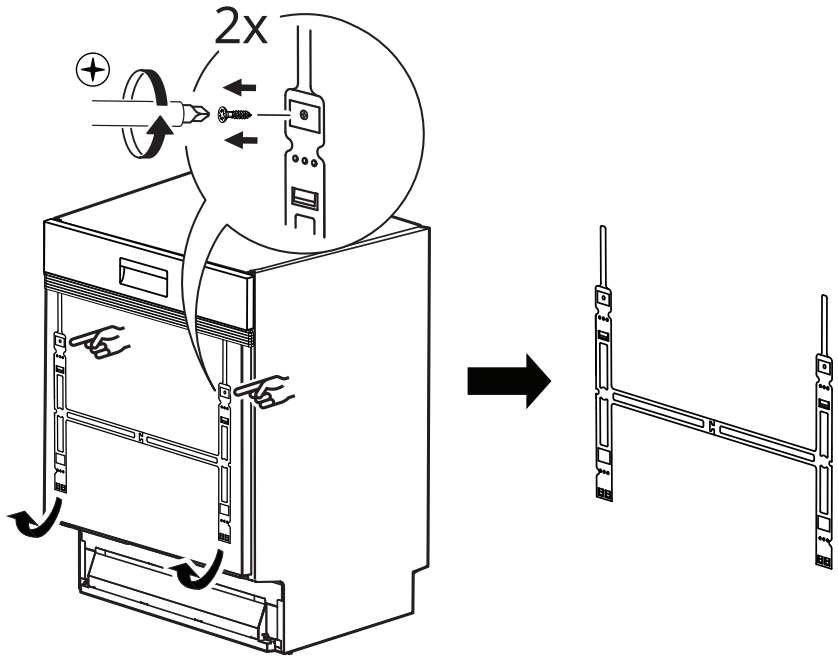
6



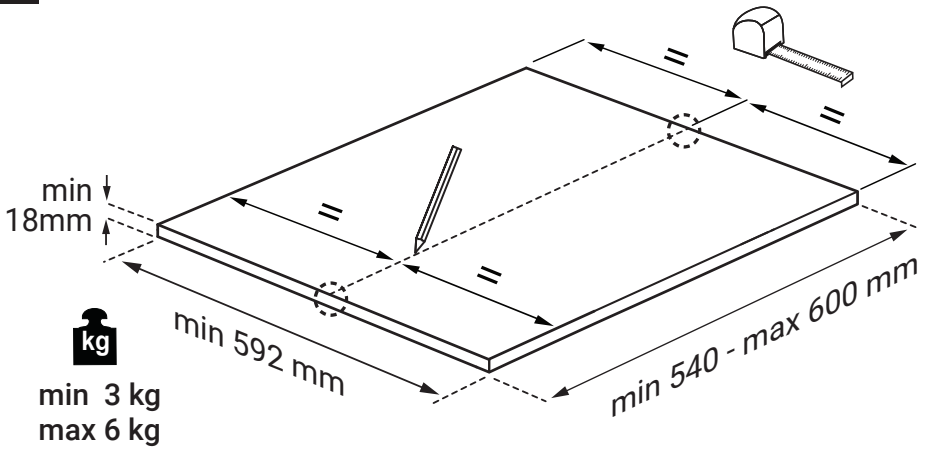
7



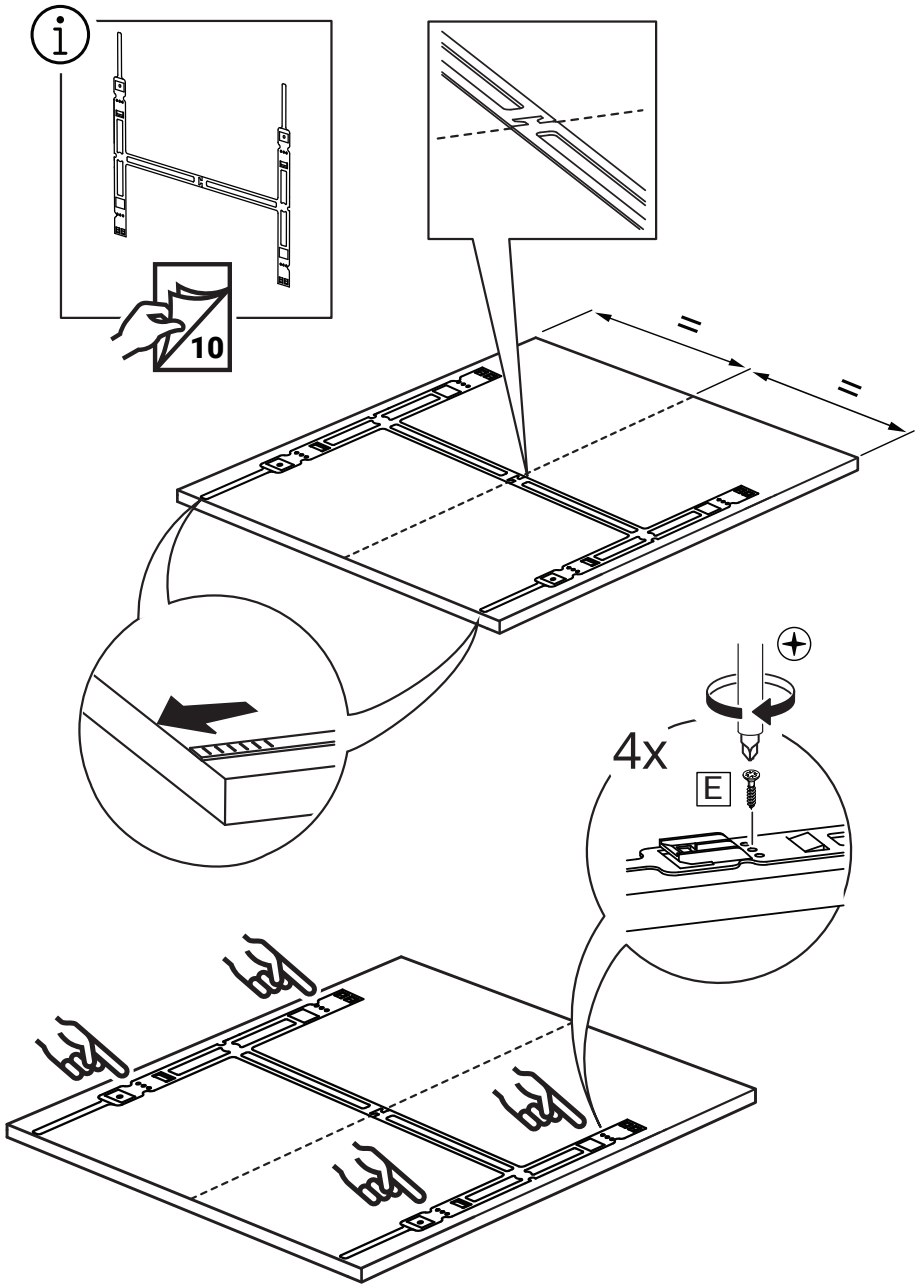
8



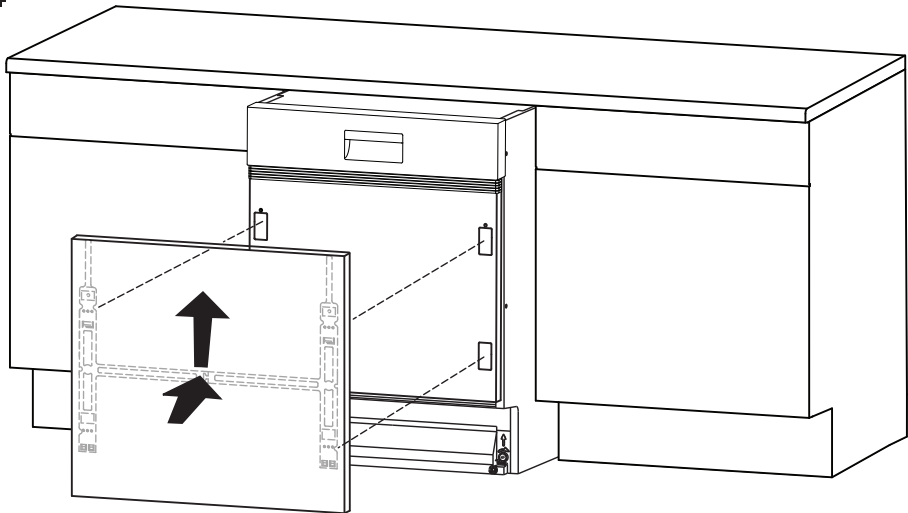
9



10

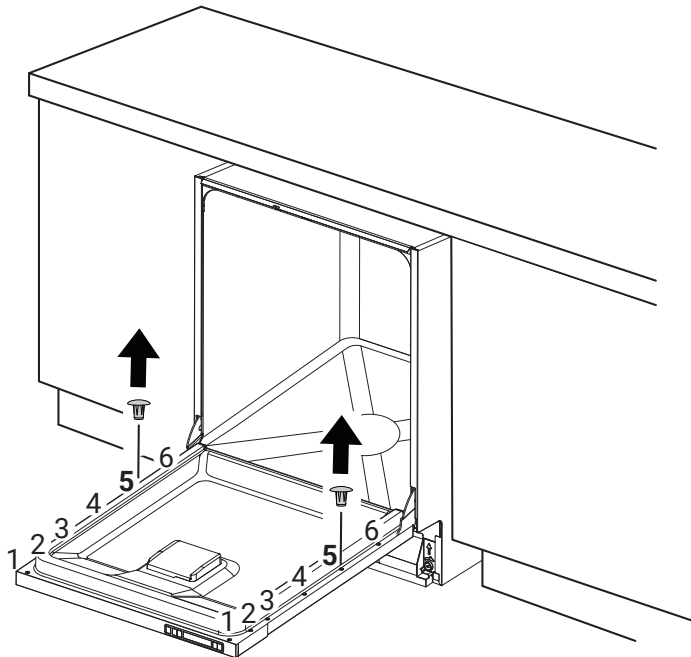
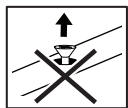


11

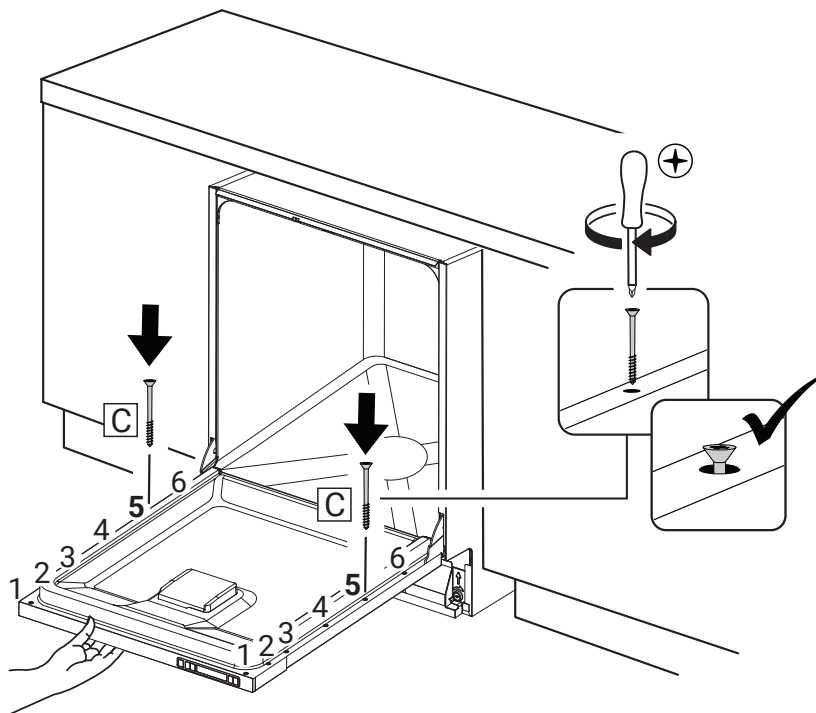


12

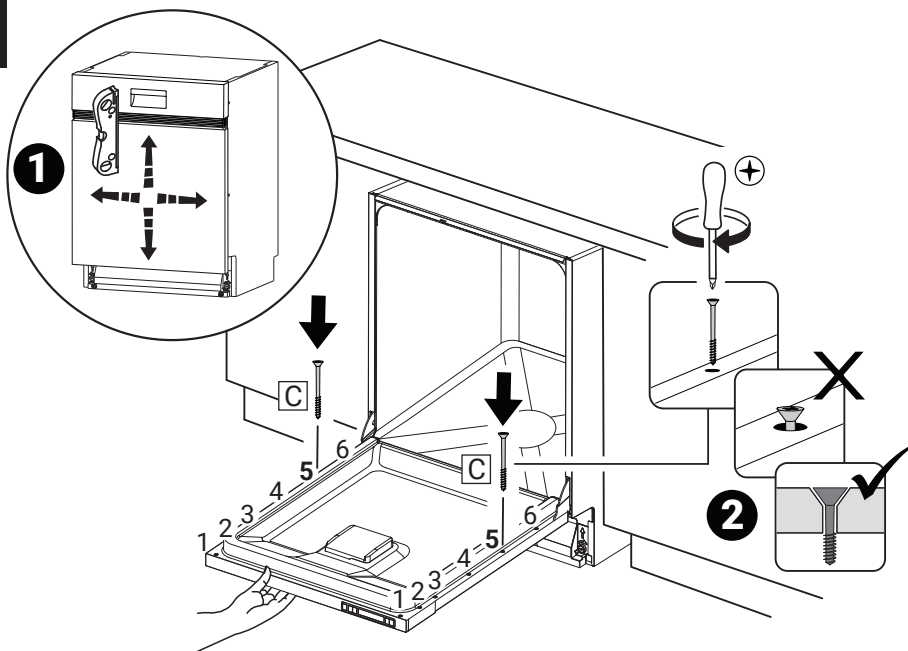
1-2-3-4-6



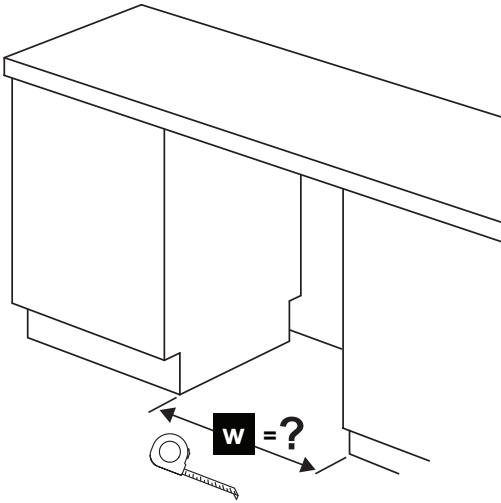
13



14



15



$w > 610$

↓

16 ~~**17**~~ **18**

1x		L
1x		R
4x		A
4x		F
4x		B

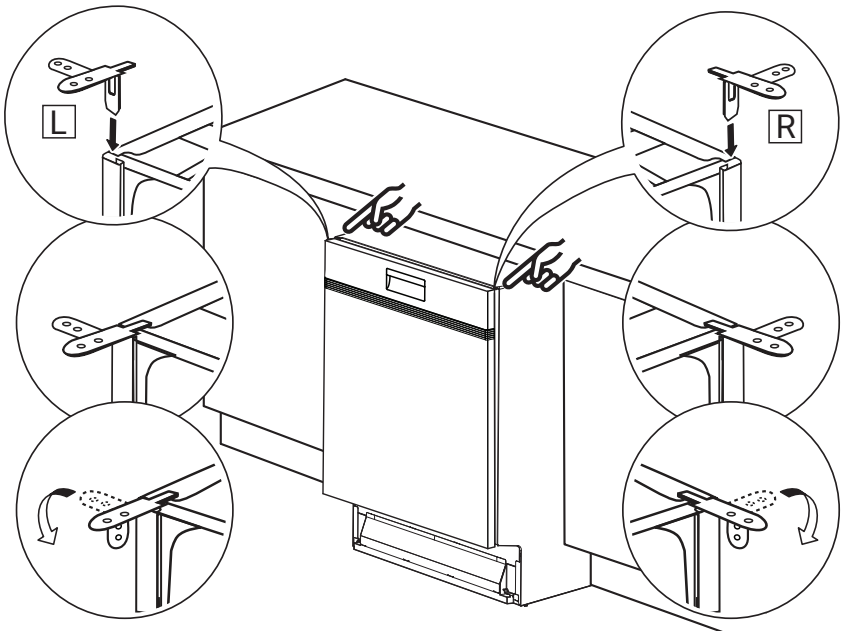
$w = 600 - 610$

↓

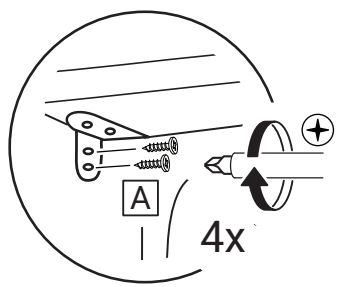
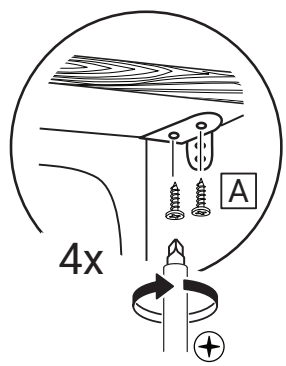
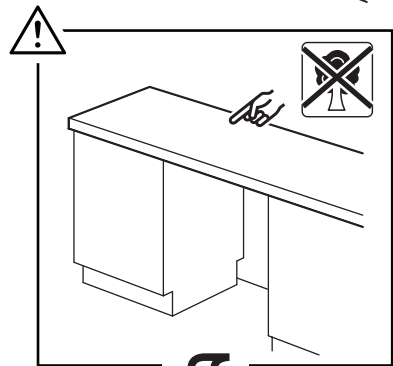
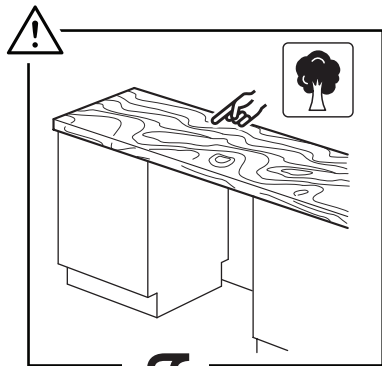
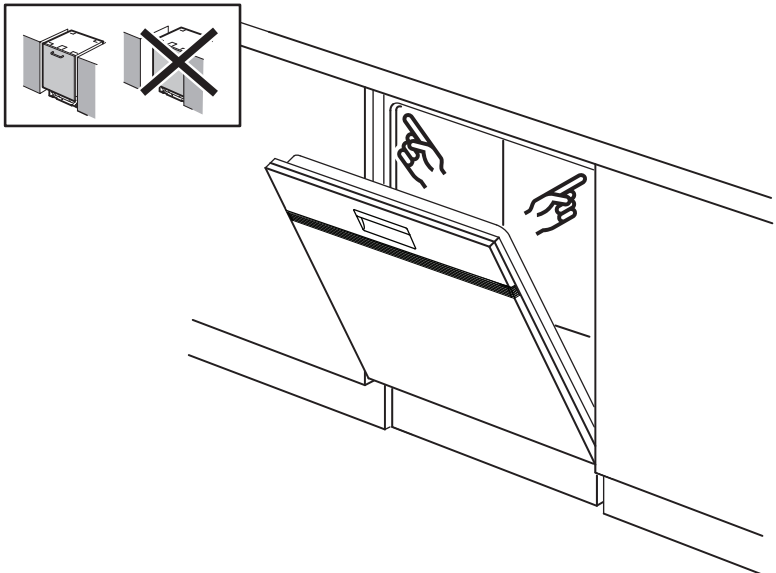
~~**16**~~ **17** **18**

1x		L
1x		R
4x		A
4x		F
4x		B

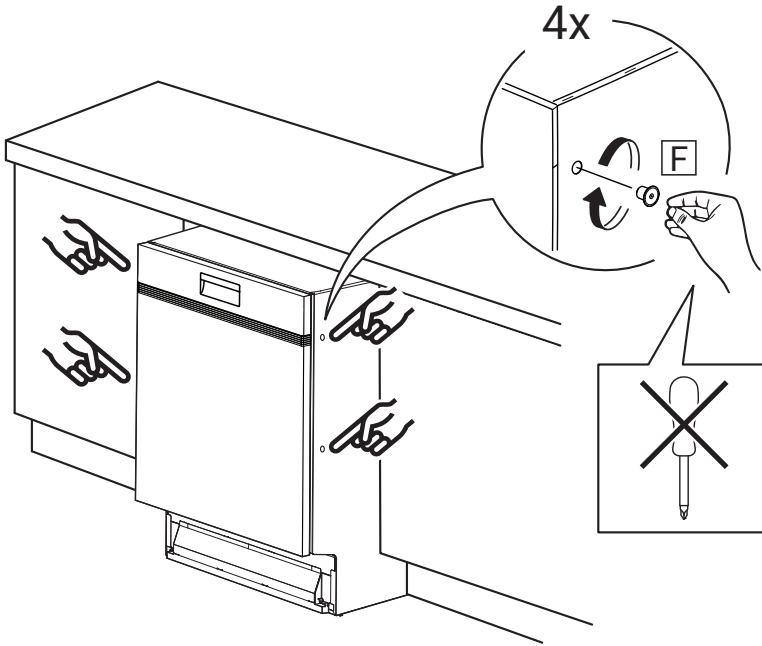
16
a



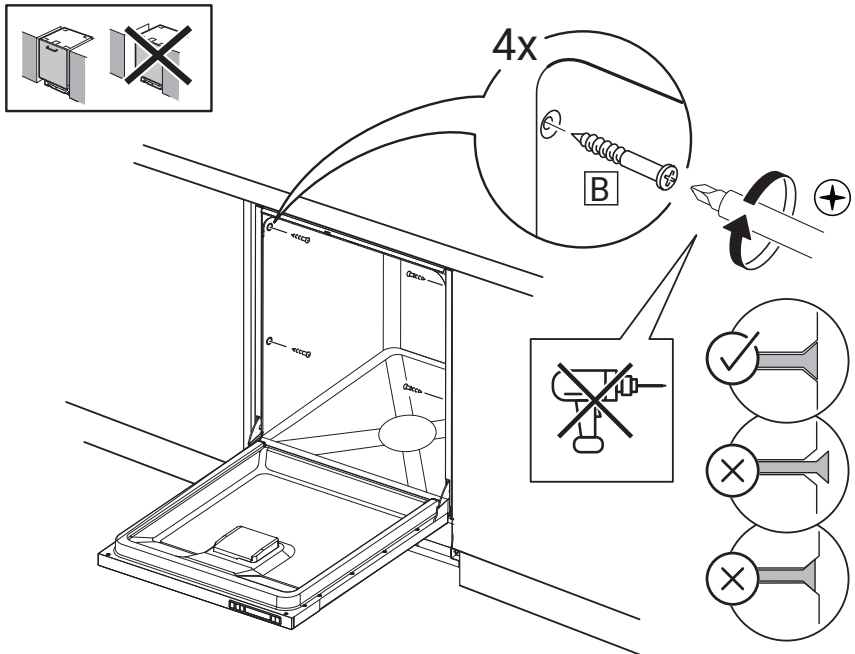
16
b



17
a



17
b



18

