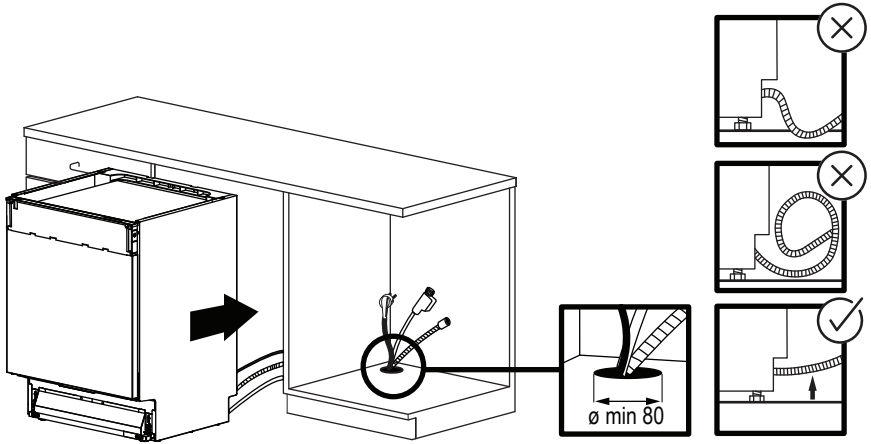
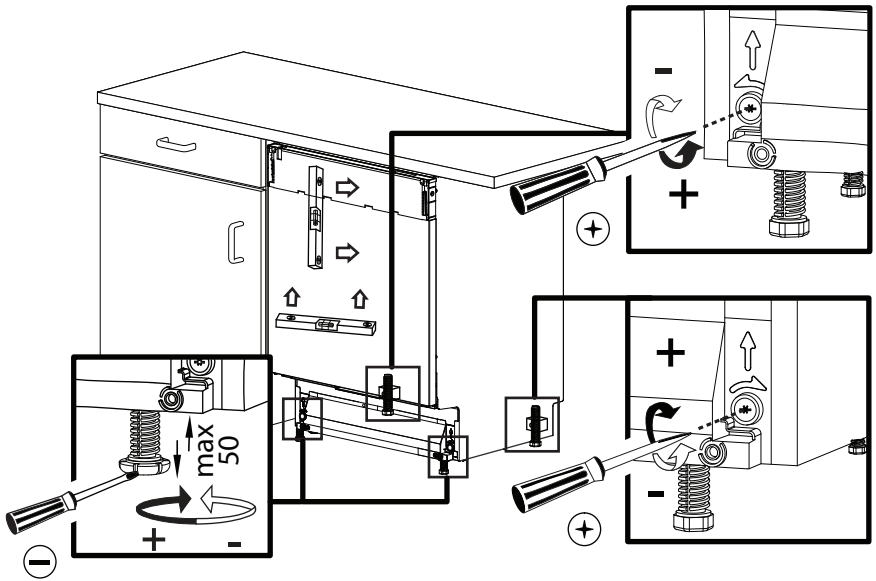
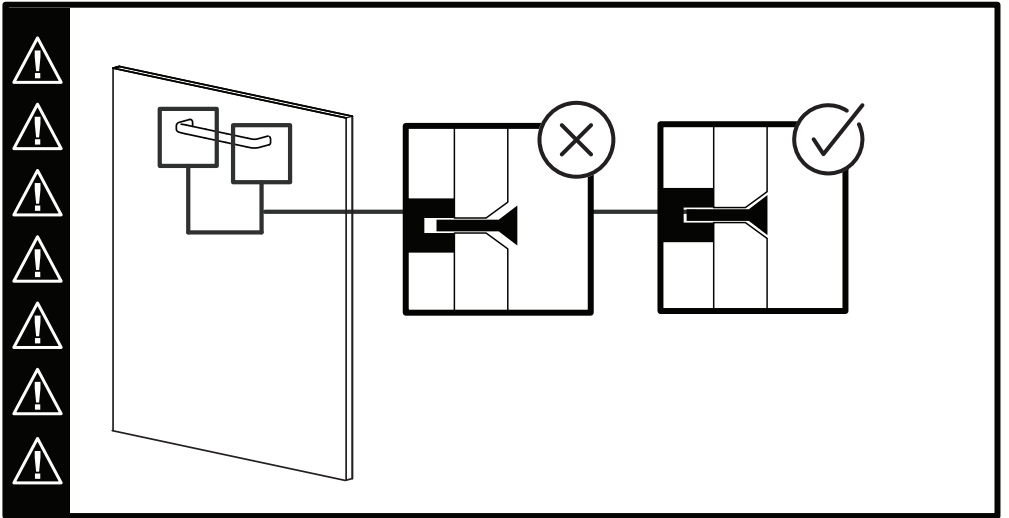


3

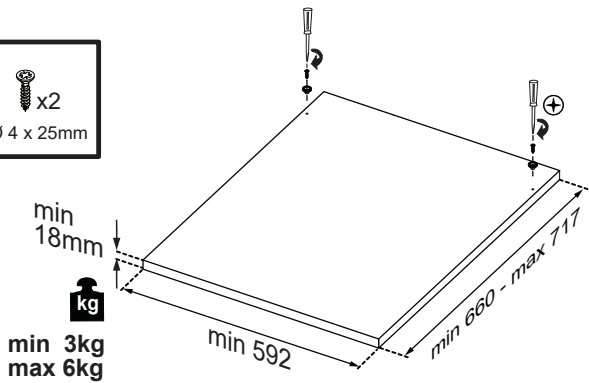
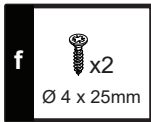
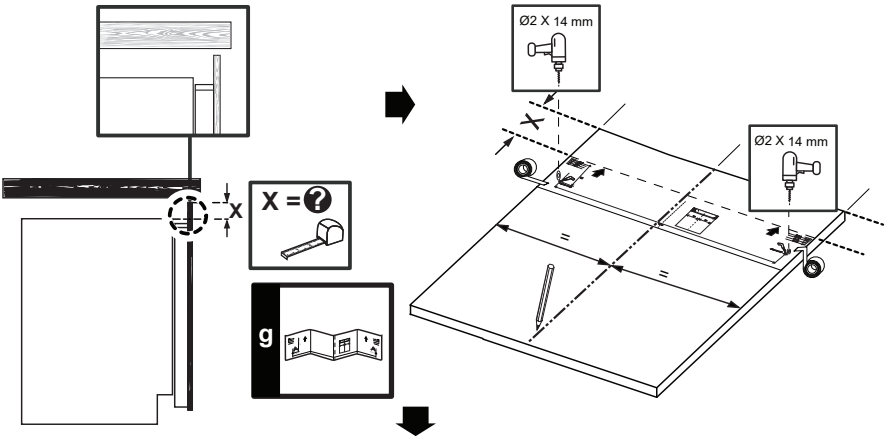
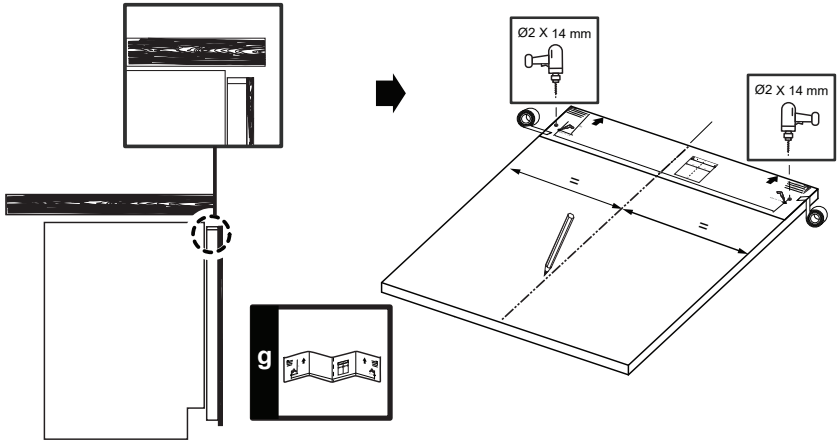


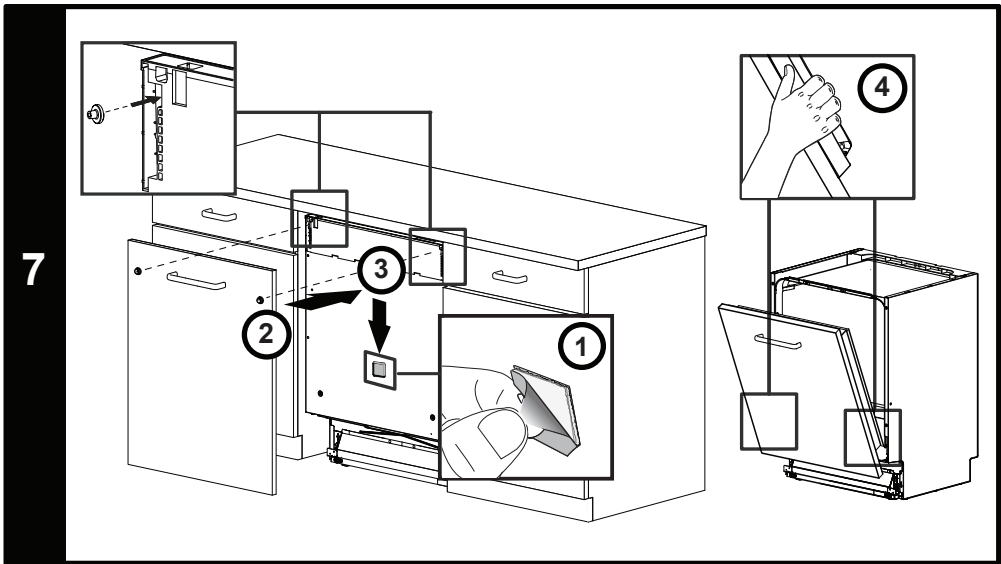
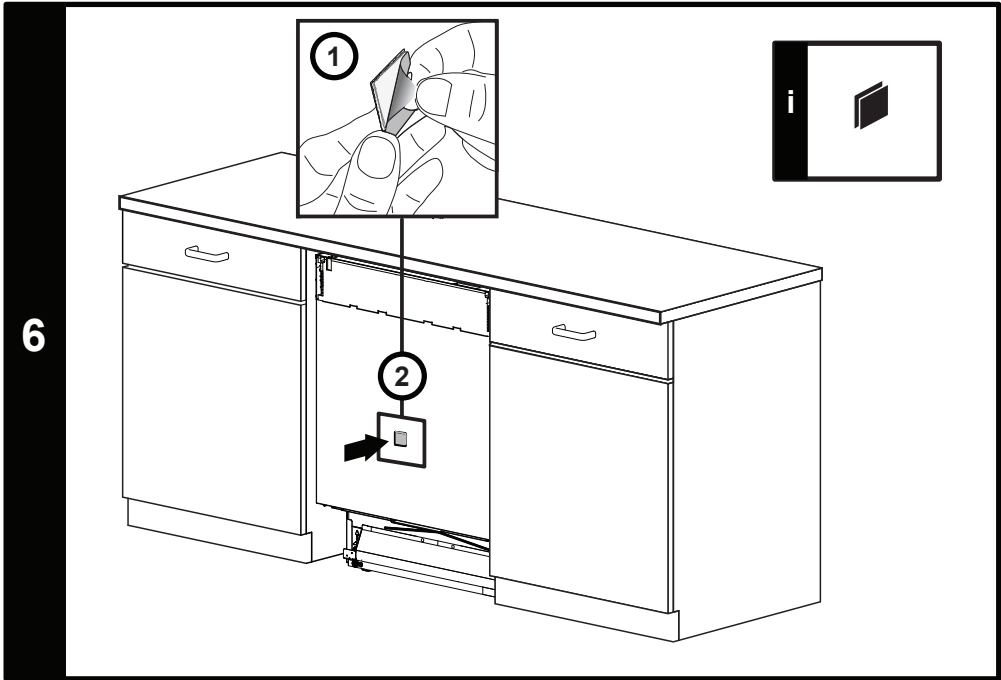
4

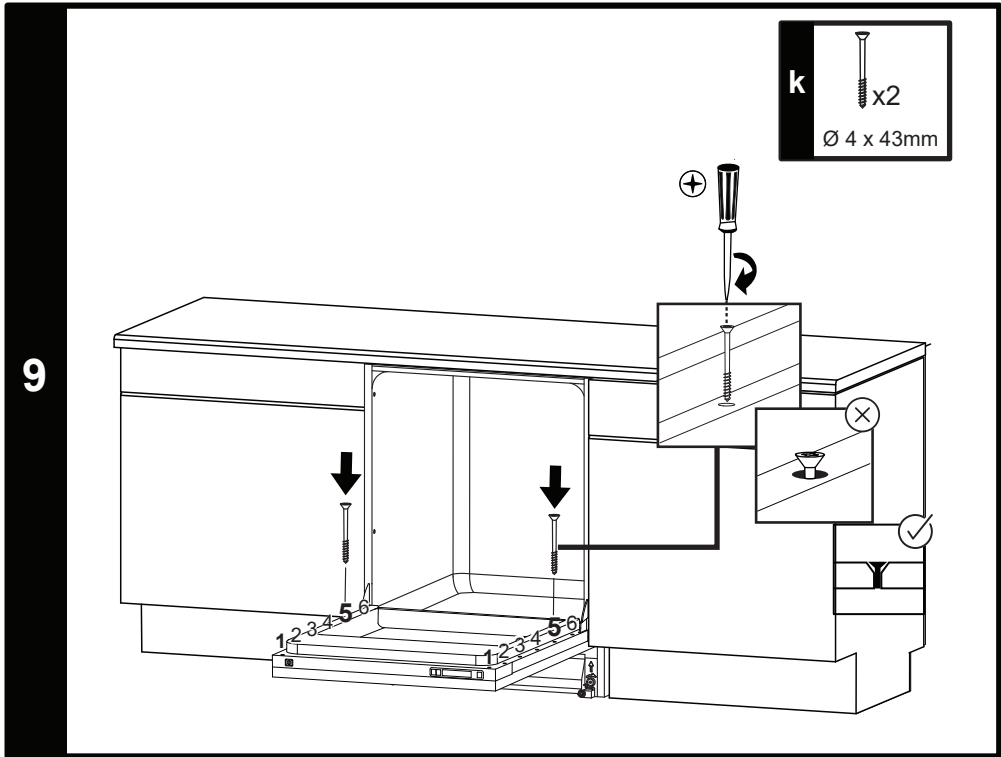
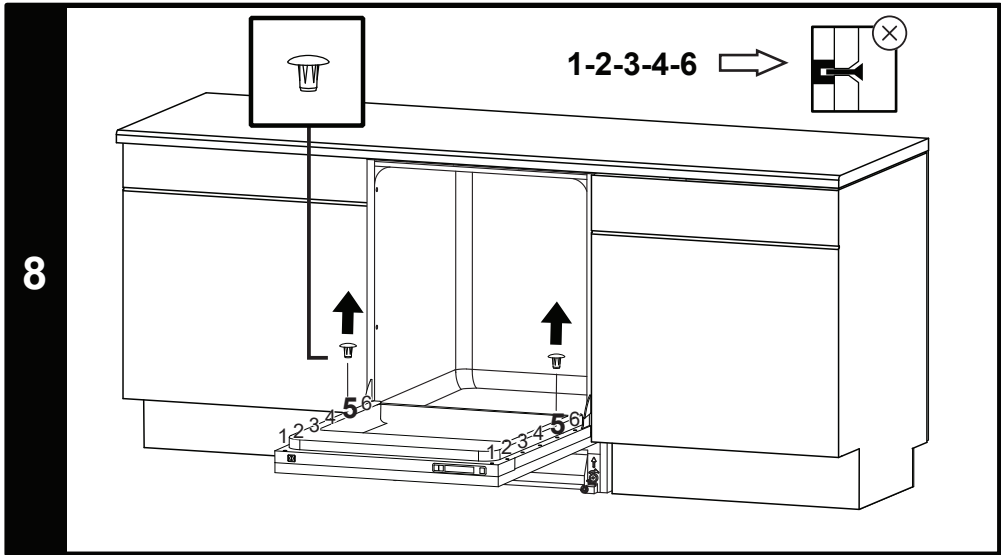




5

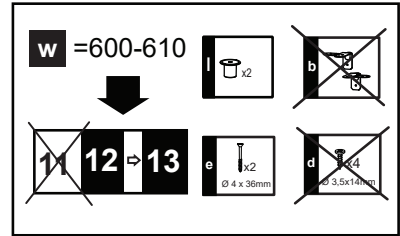
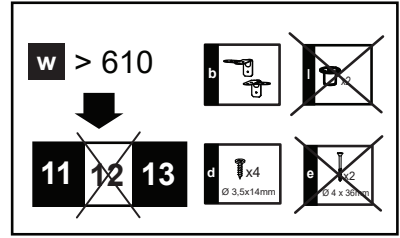
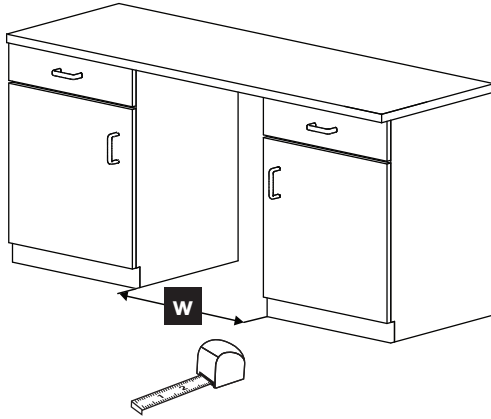




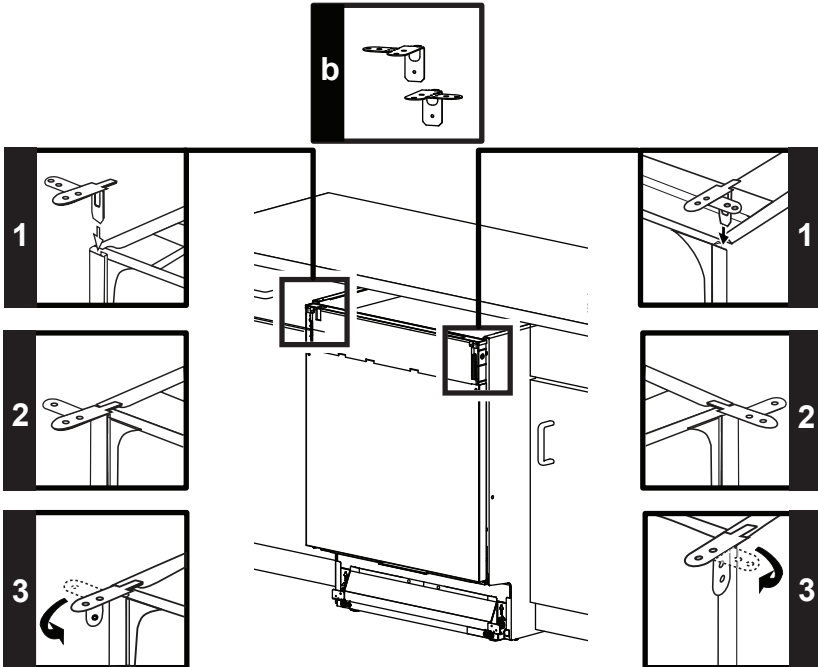




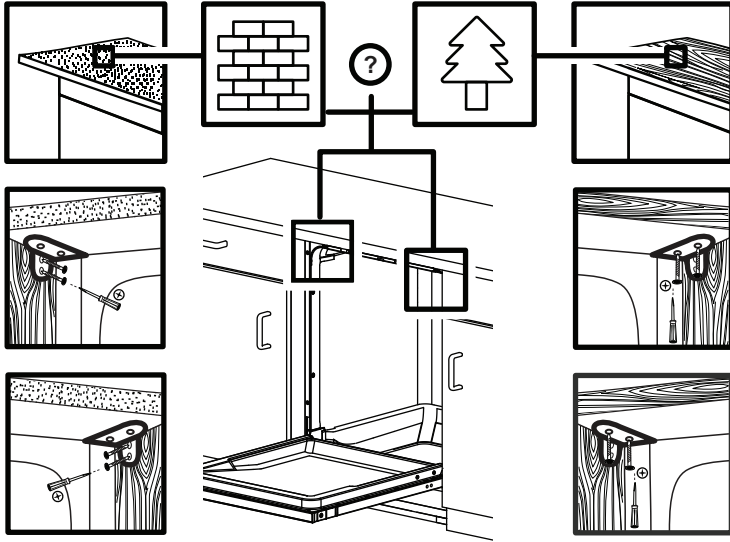
10




11
a

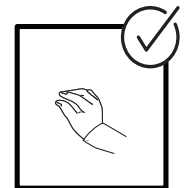
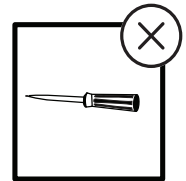
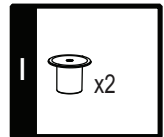
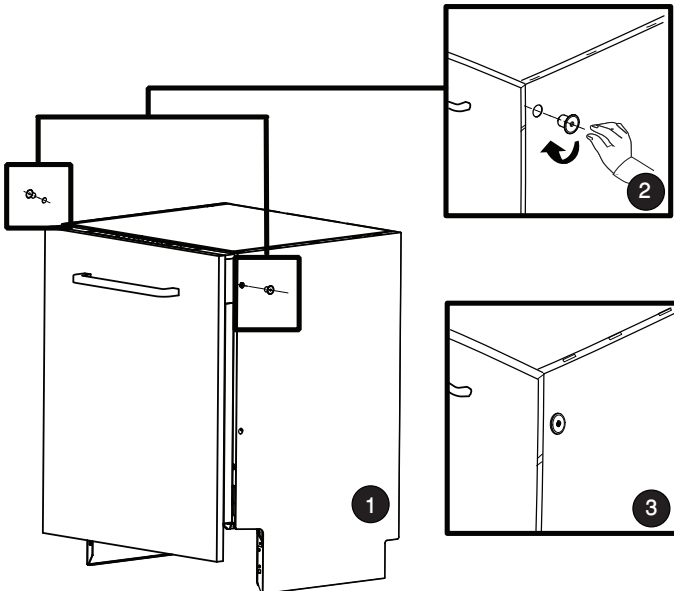


11
b

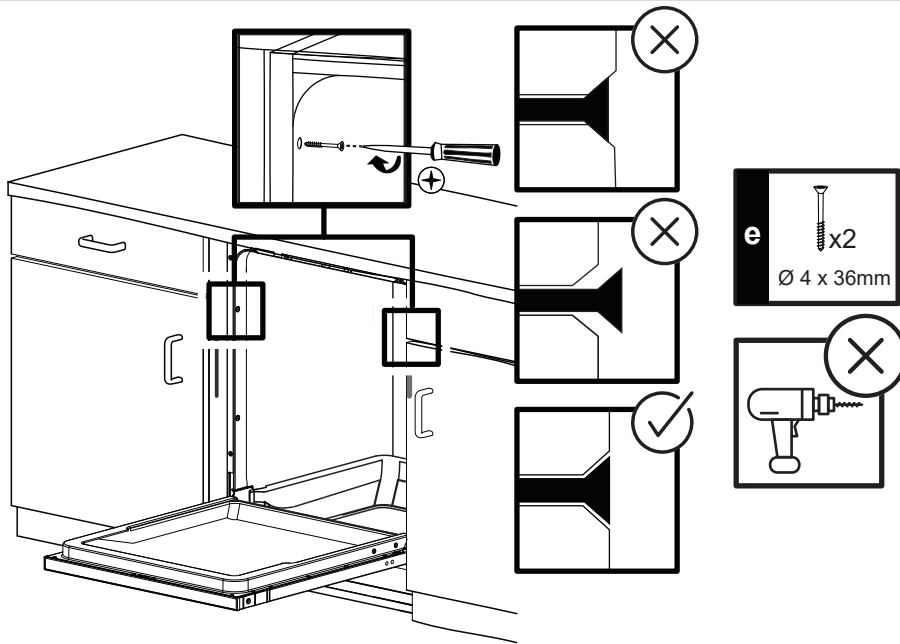


d  x4
Ø 3,5x14mm

12
a



12
b



13

