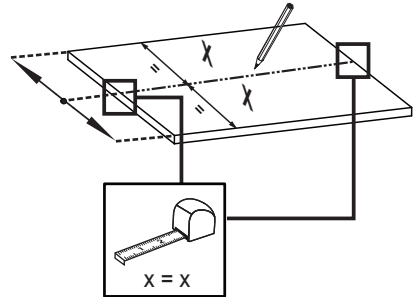
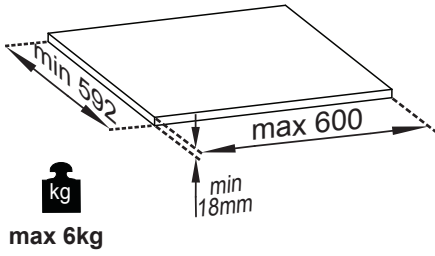
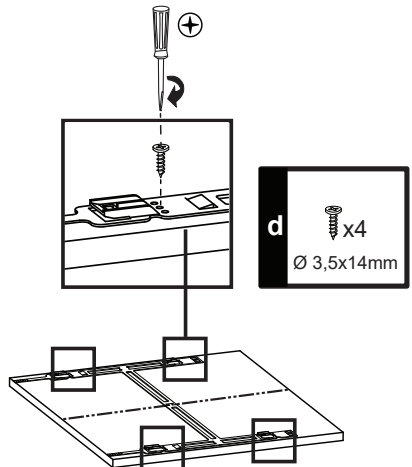
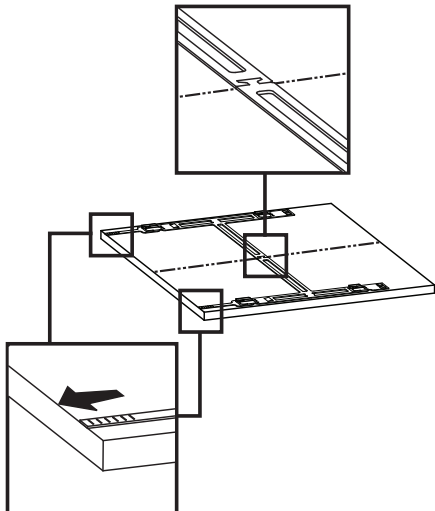


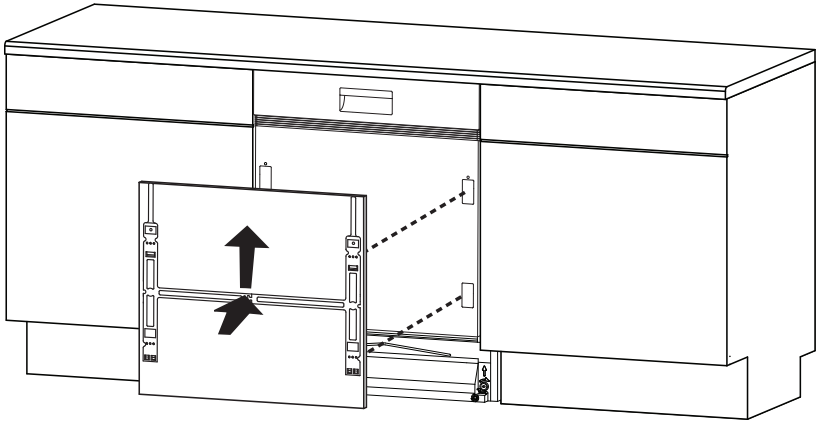
7



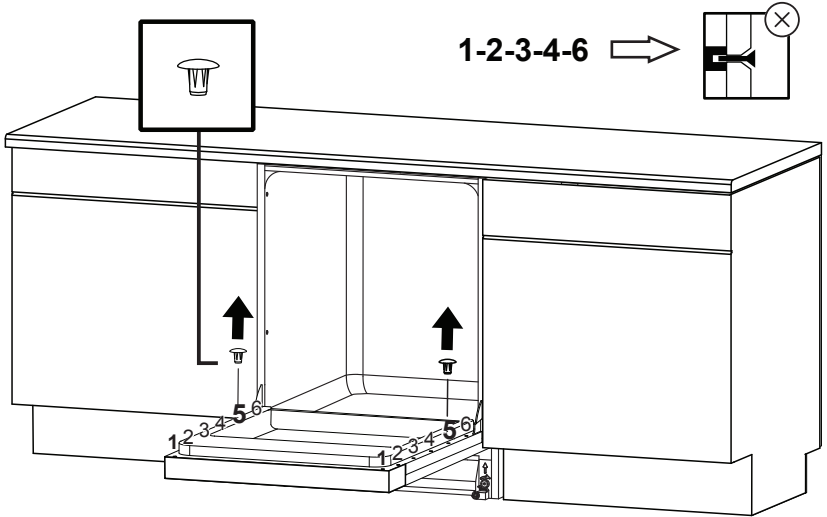
8



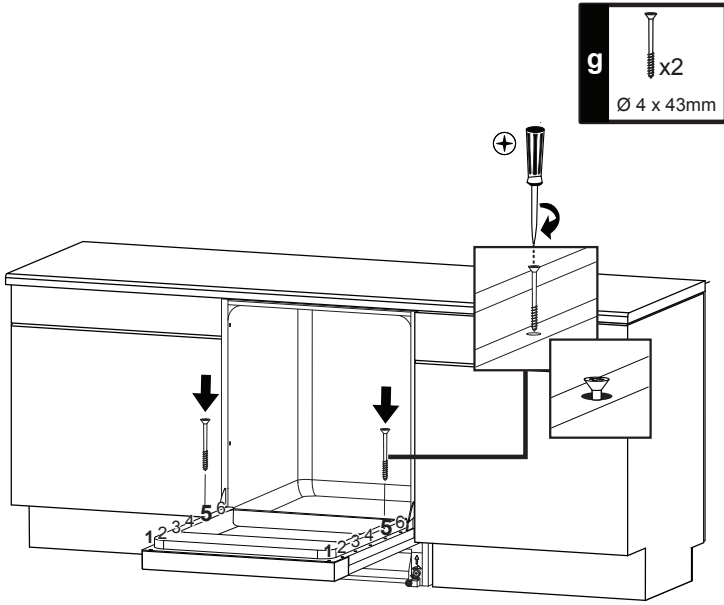
9



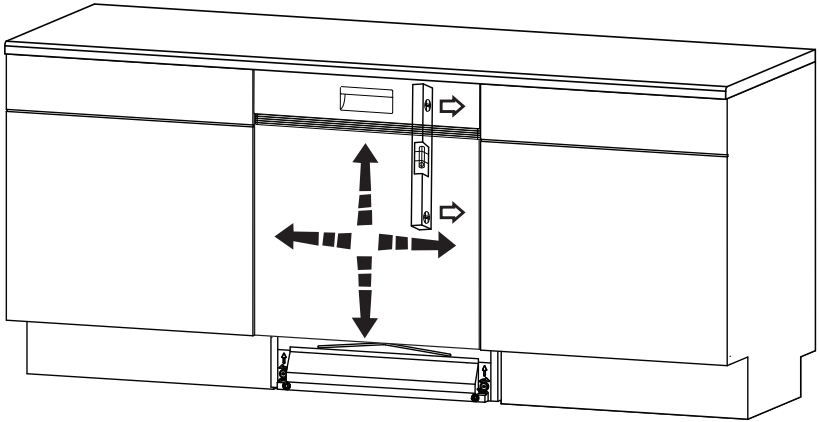
10



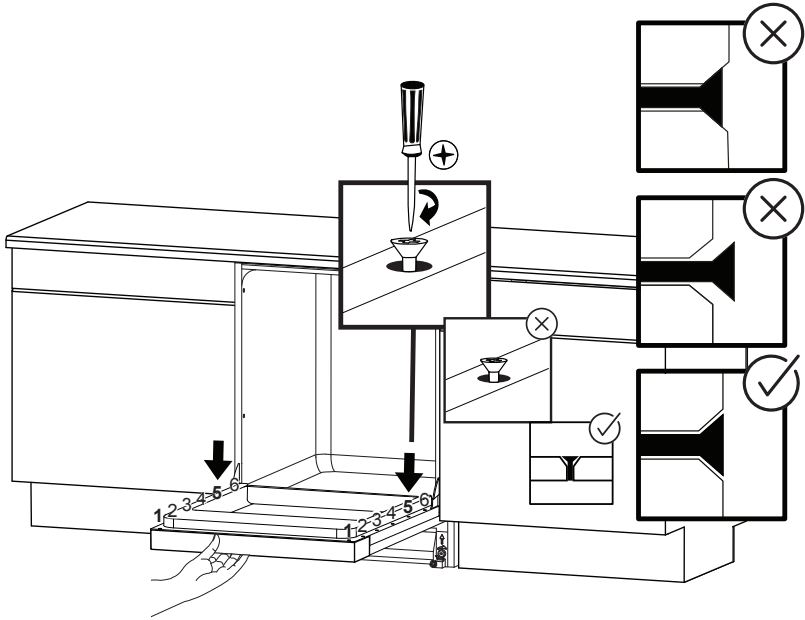
11



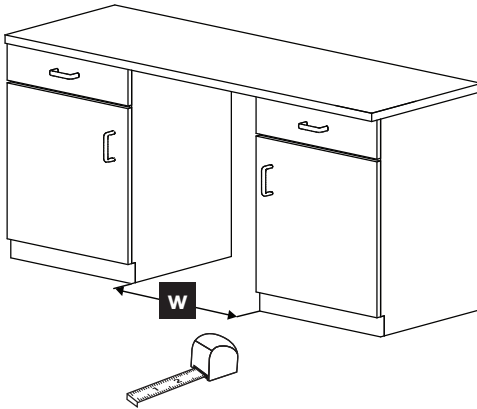
12



13



14
⚠
⚠



w > 610

15 16 17

a **h** **e**

d x4
Ø 3.5x14mm

e x2
Ø 4 x 36mm

w = 600-610

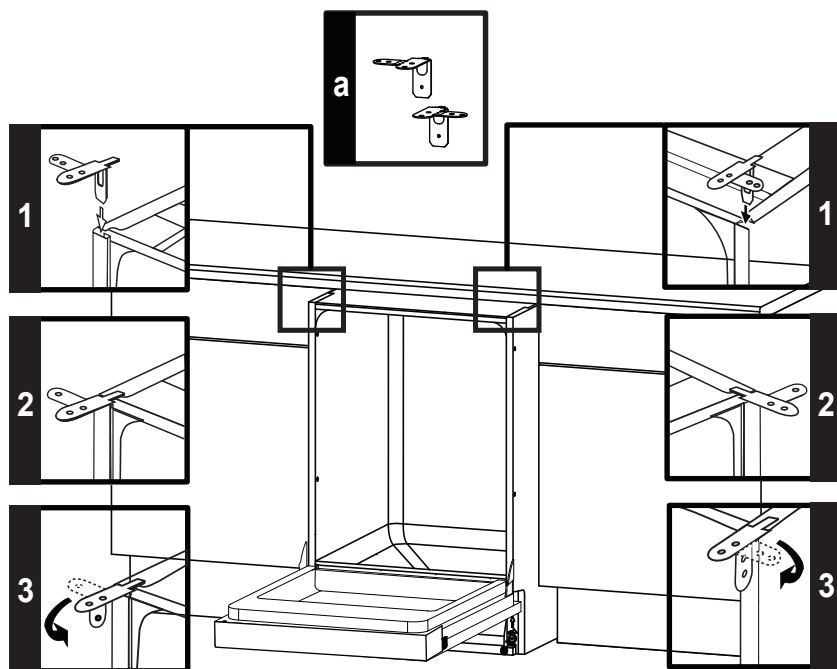
15 16 ⇨ 17

h x2

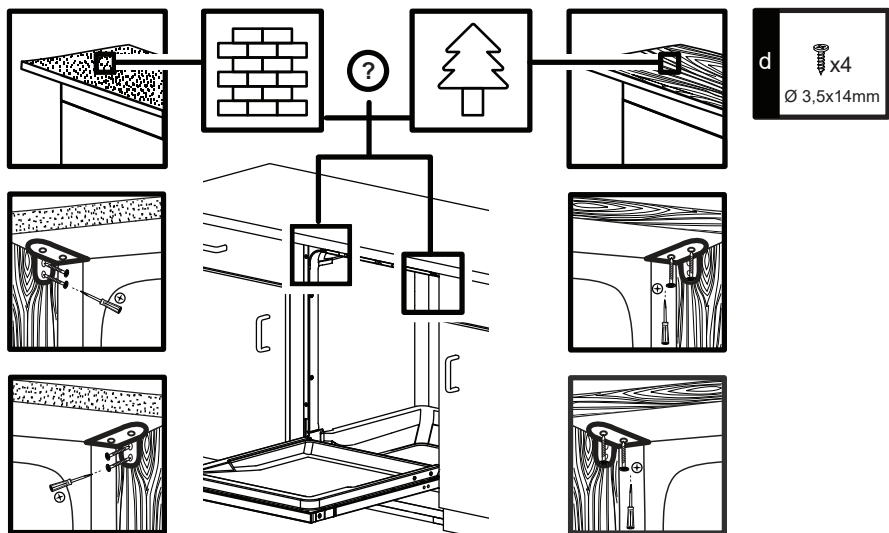
e x2
Ø 4 x 36mm

d x4
Ø 3.5x14mm

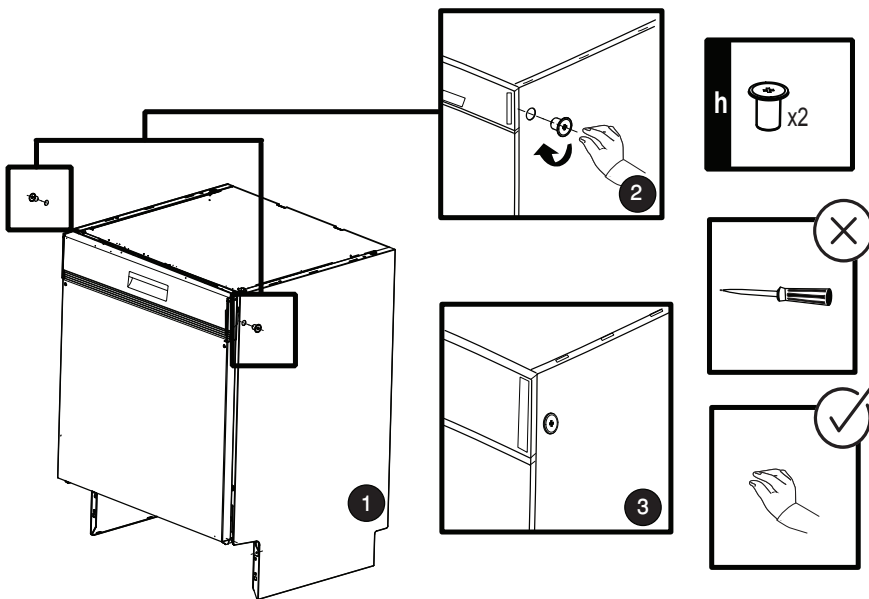
15
—
a



15
—
b



16
—
a



16
—
b

