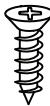
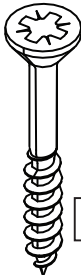
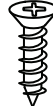

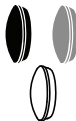






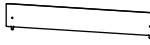
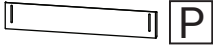
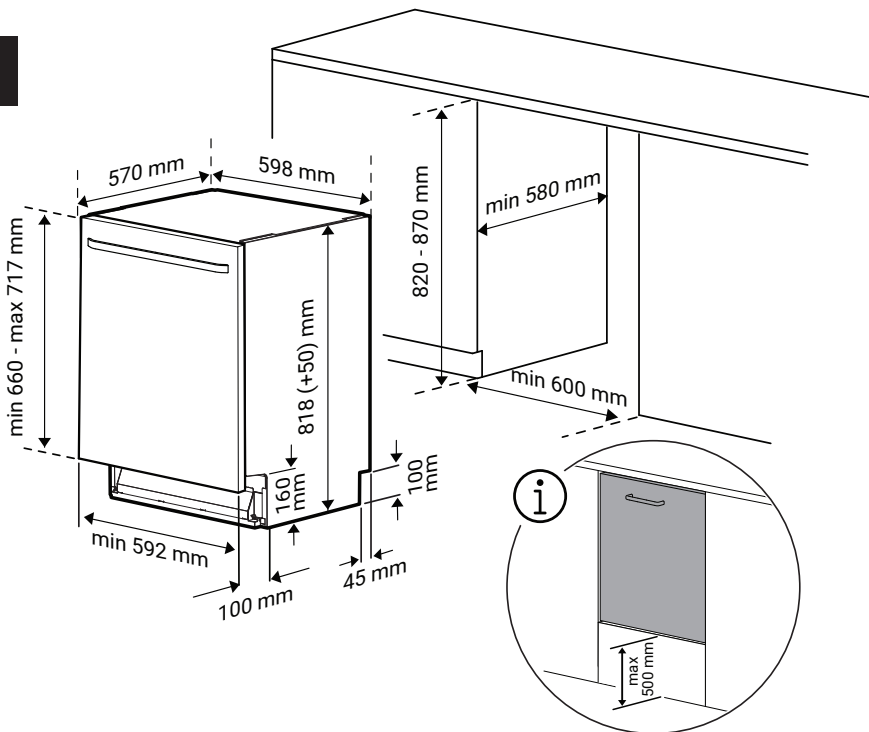
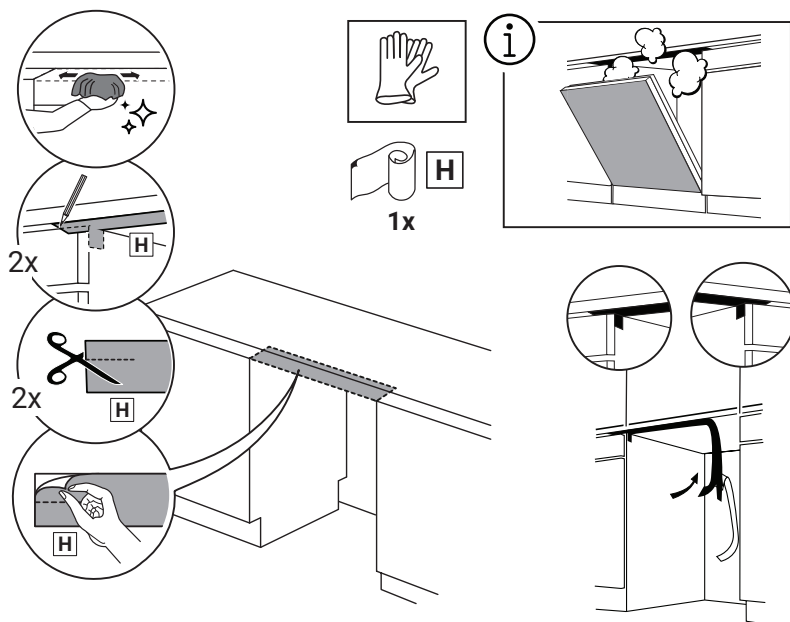


<p>Ø 4 x 13 mm</p>  <p>A</p> <p>4x</p>	<p>Ø 4 x 36 mm</p>  <p>B</p> <p>4x</p>	<p>Ø 3,5 x 14 mm</p>  <p>E</p> <p>2x</p>	<p>Ø 4 x 6 mm</p>  <p>C</p> <p>2x</p>	 <p>D</p> <p>2x</p>
 <p>H</p> <p>1x</p>	 <p>L</p> <p>1x</p>	 <p>R</p> <p>1x</p>	 <p>F</p> <p>4x</p>	 <p>M</p> <p>2x</p>
 <p>S</p> <p>1x</p>	 <p>N</p> <p>1x</p>	 <p>P</p> <p>1x</p>		

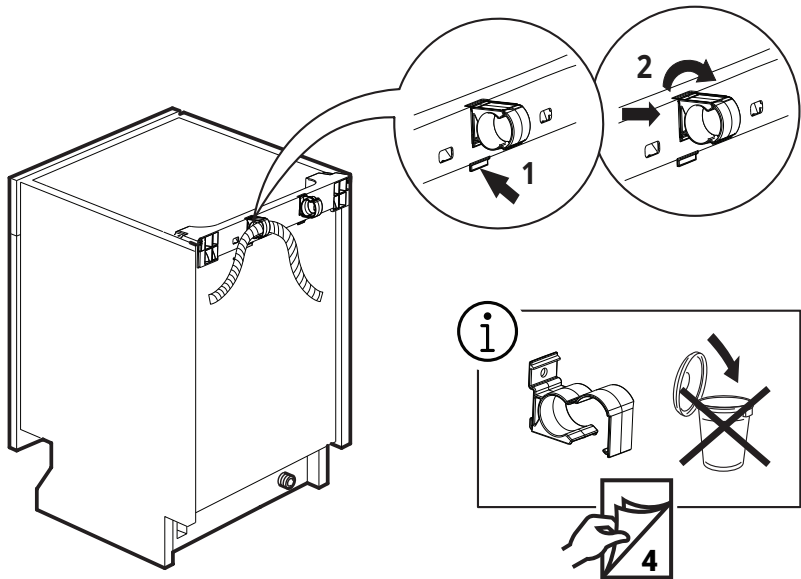
1



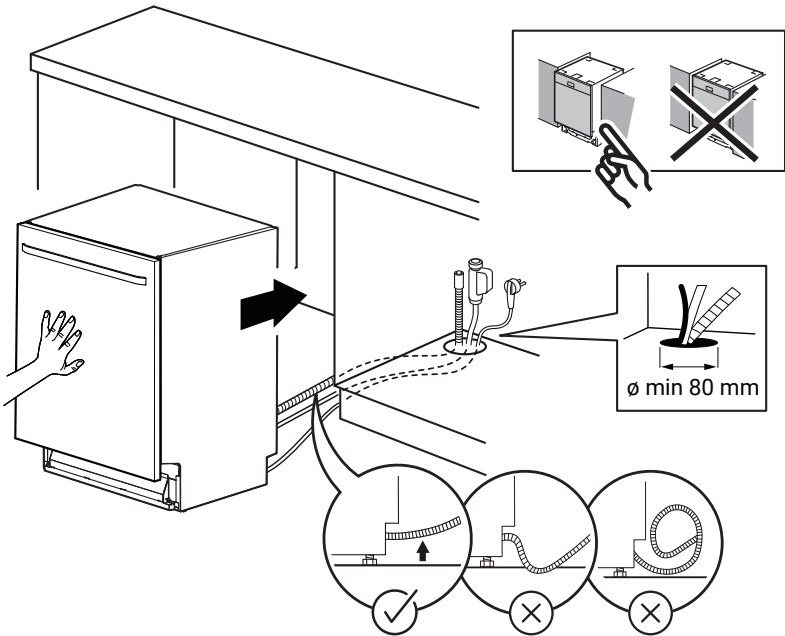
2



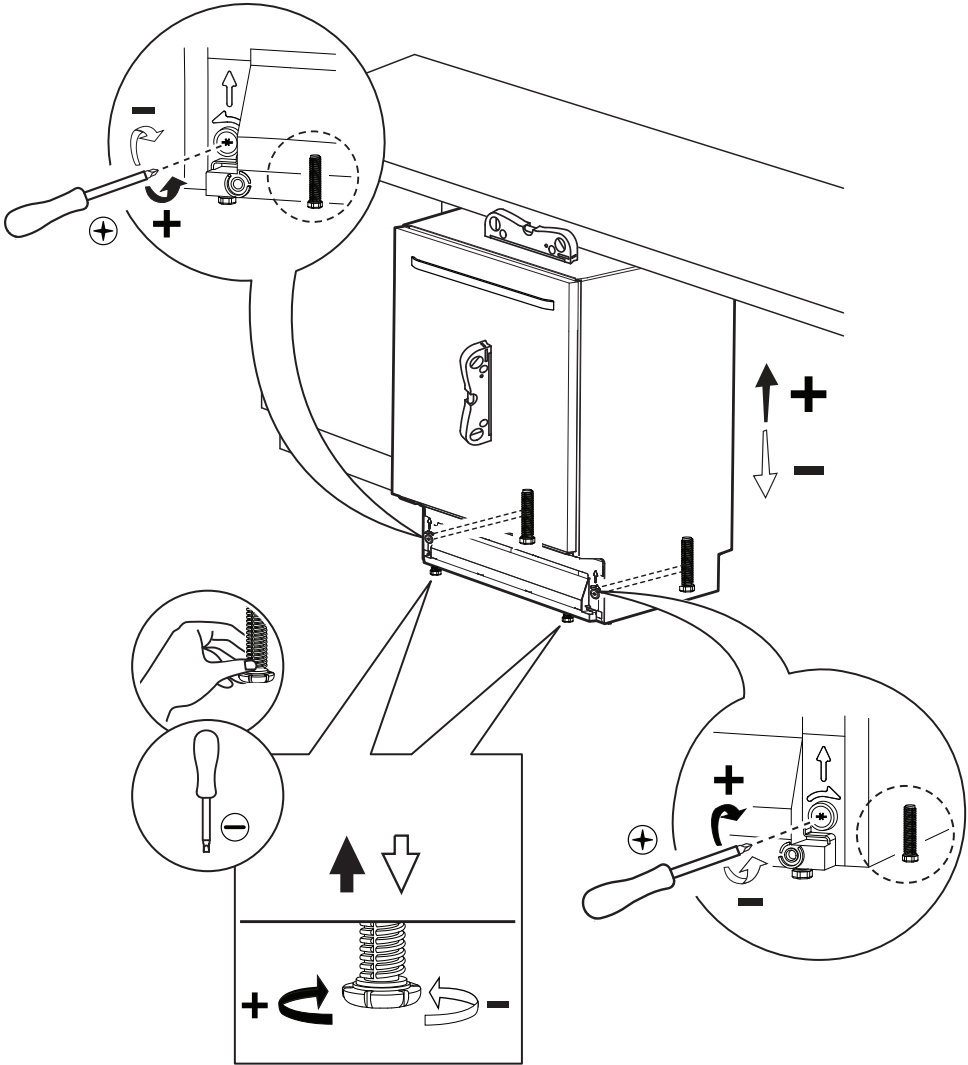
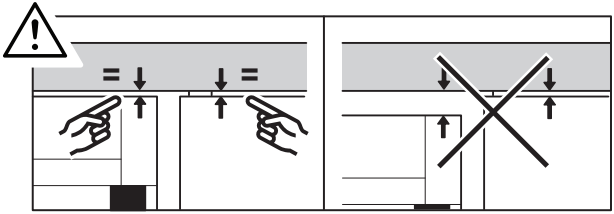
3



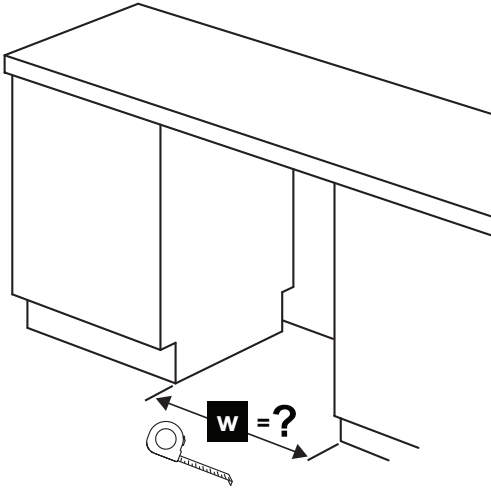
4



5



6



w > 610

↓

7	8	9
---	--------------	---

- 1x L
- 1x R
- 4x A
- ~~4x F~~
- ~~4x B~~

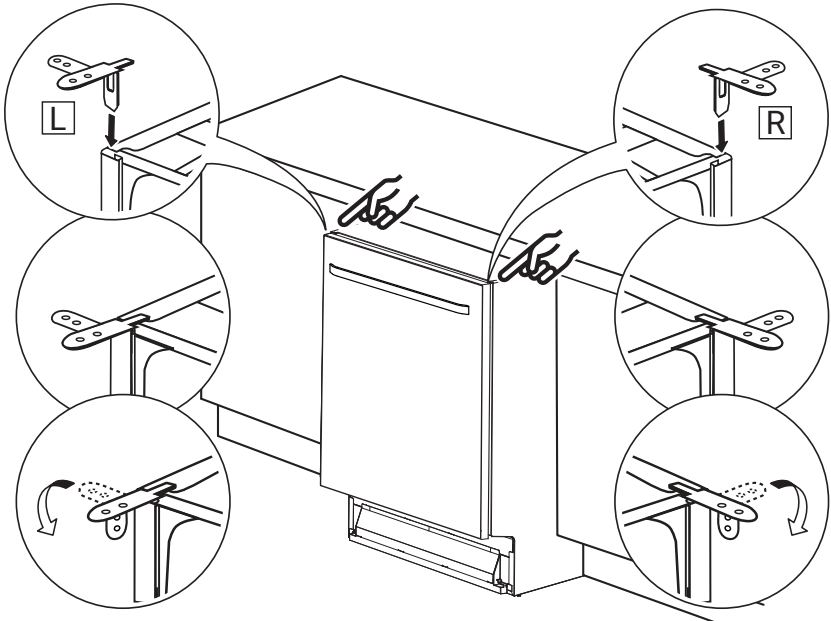
w = 600-610

↓

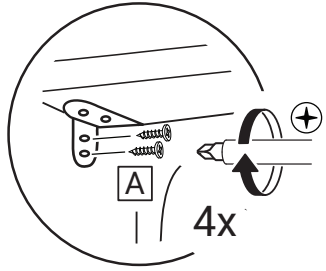
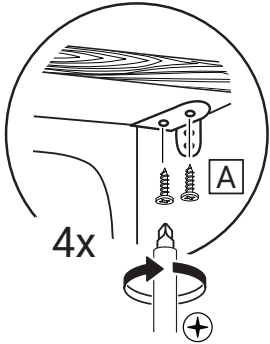
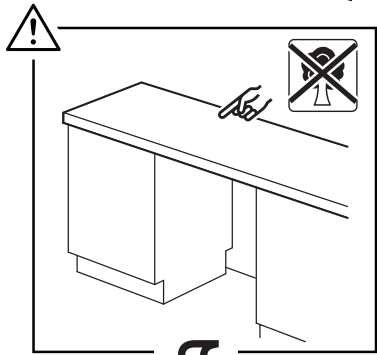
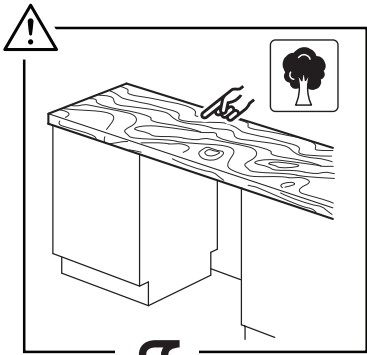
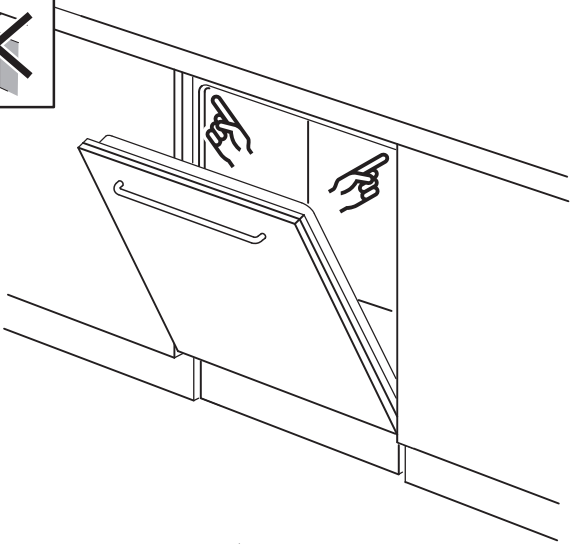
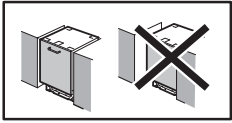
7	8	9
--------------	---	---

- 1x L
- ~~1x R~~
- 4x A
- 4x F
- 4x B

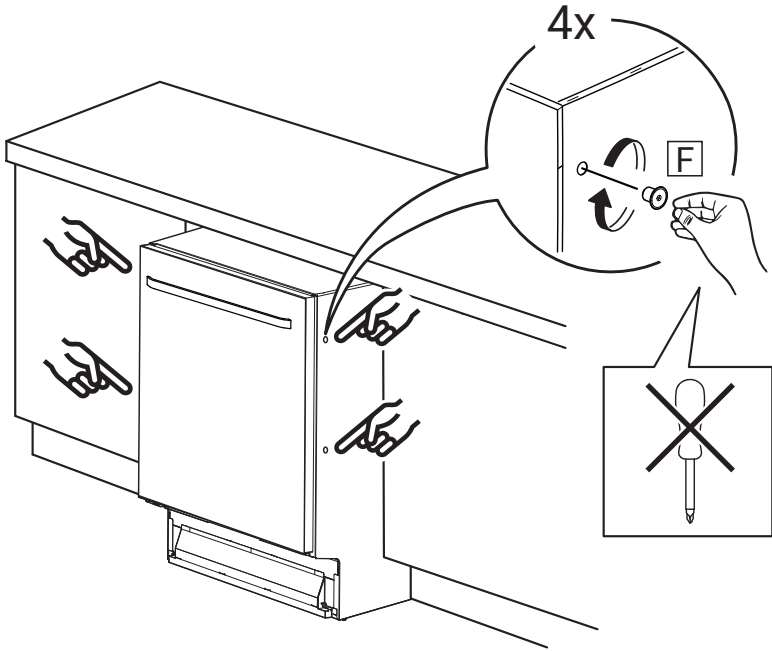
7 a



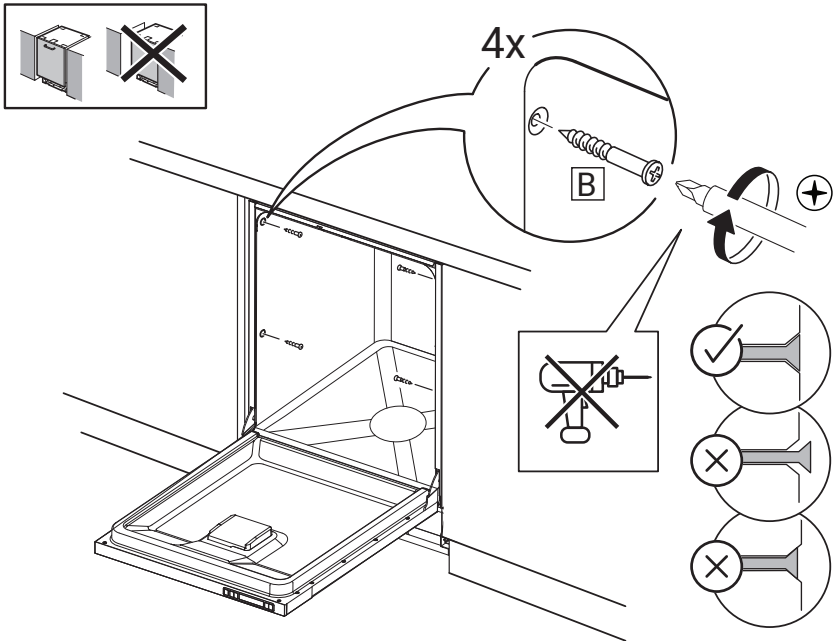
7
b



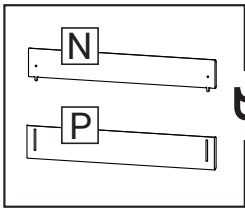
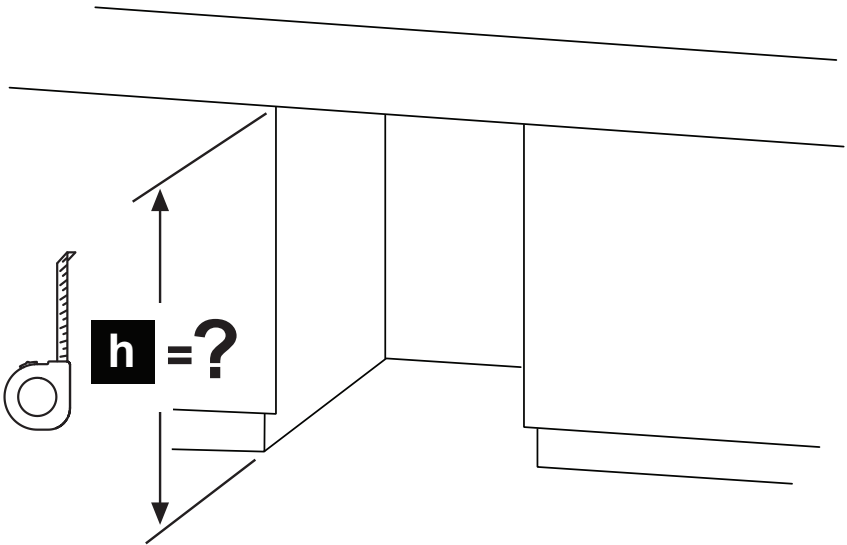
8 | 8



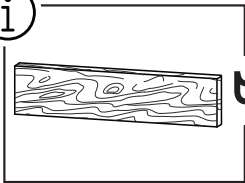
8 | 8



9

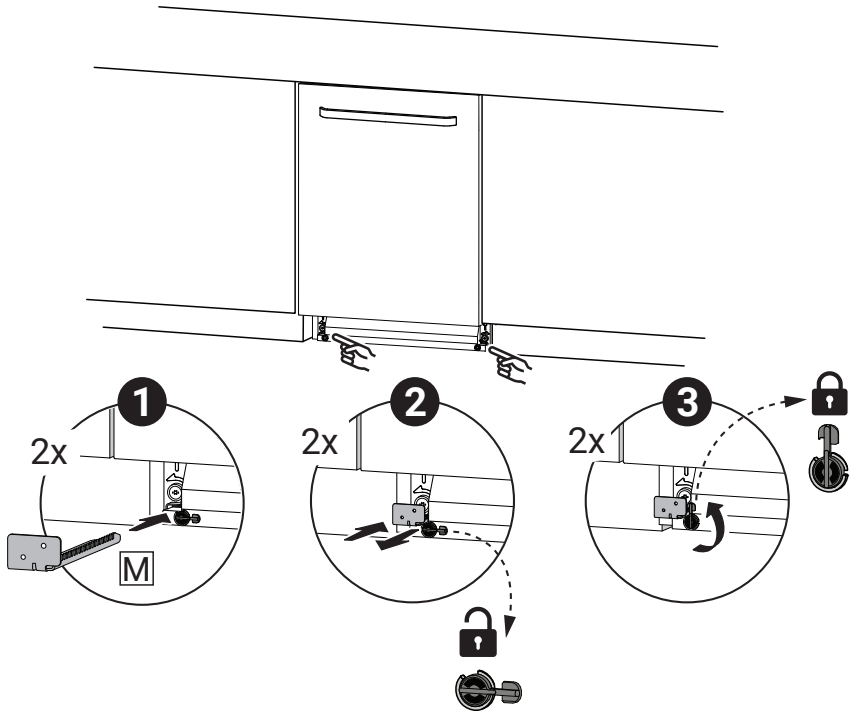


h = 820 - 840 mm	→	10	→	11
h = 841 - 870 mm	→	10	<input checked="" type="checkbox"/>	12



13

10



11

