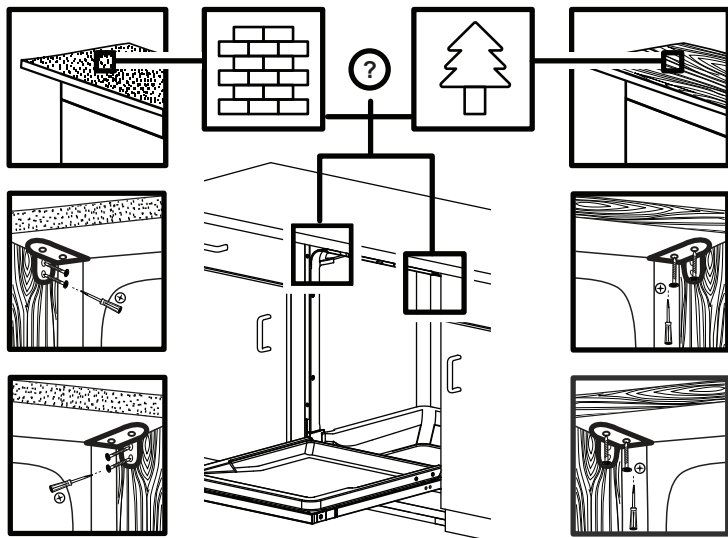

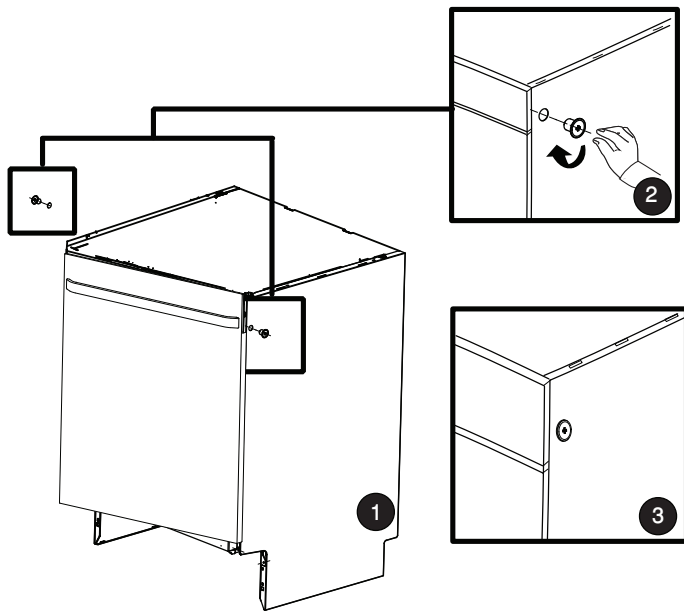



6 | b

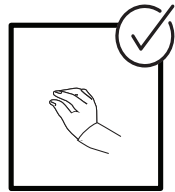
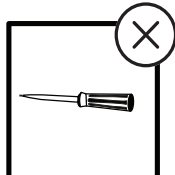


d  x4
Ø 3,5x14mm

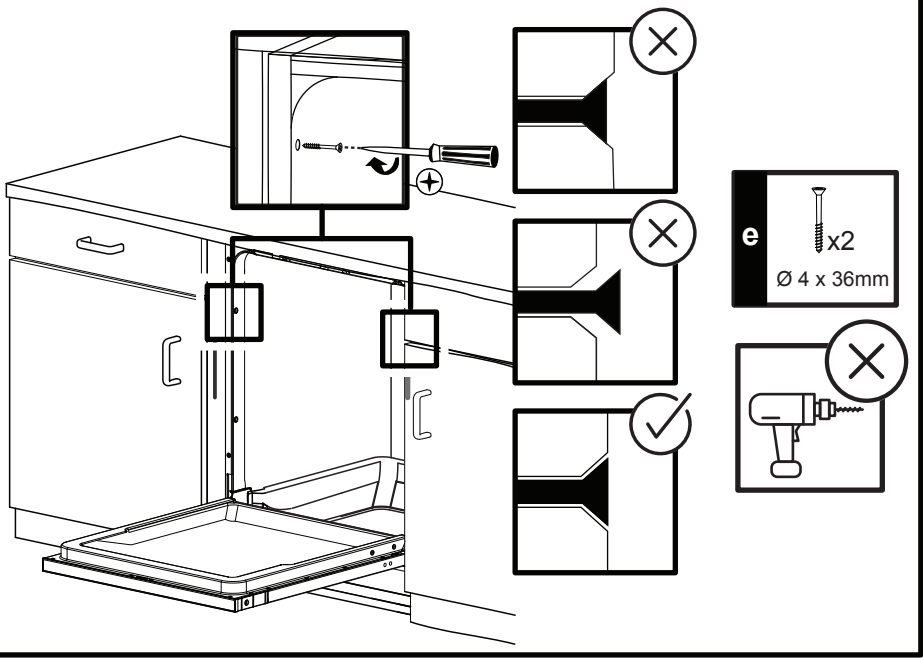
7 | a



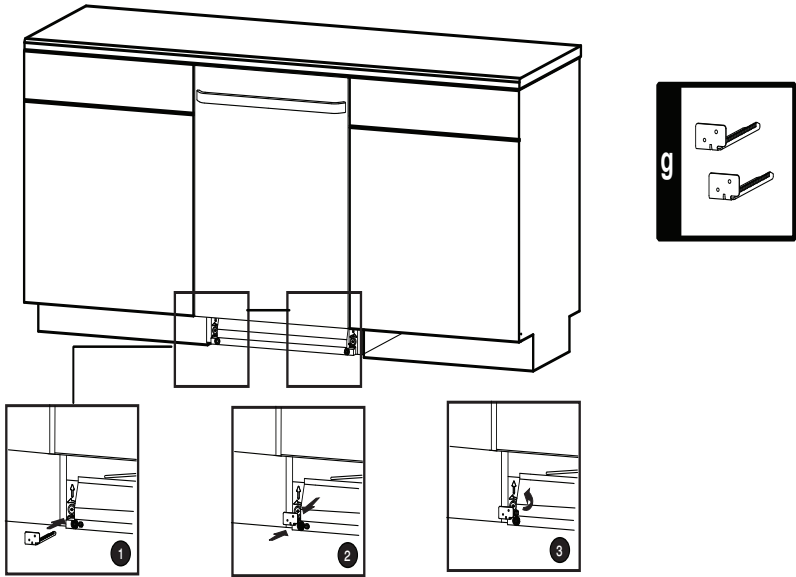
h  x2



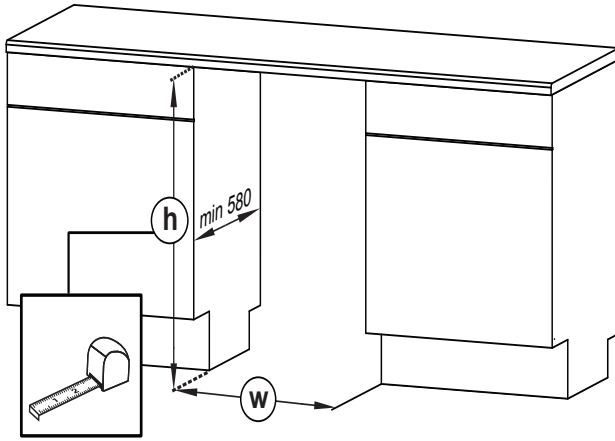
7
b



8



9



Ⓜ = 820 - 840

Ⓜ = 840 - 870

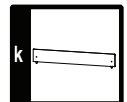
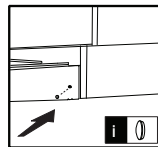
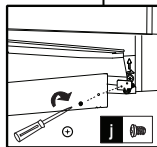
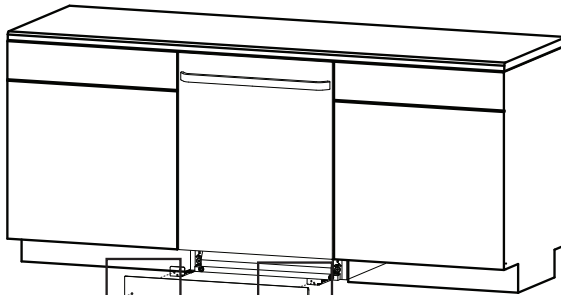
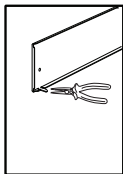
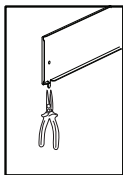


10

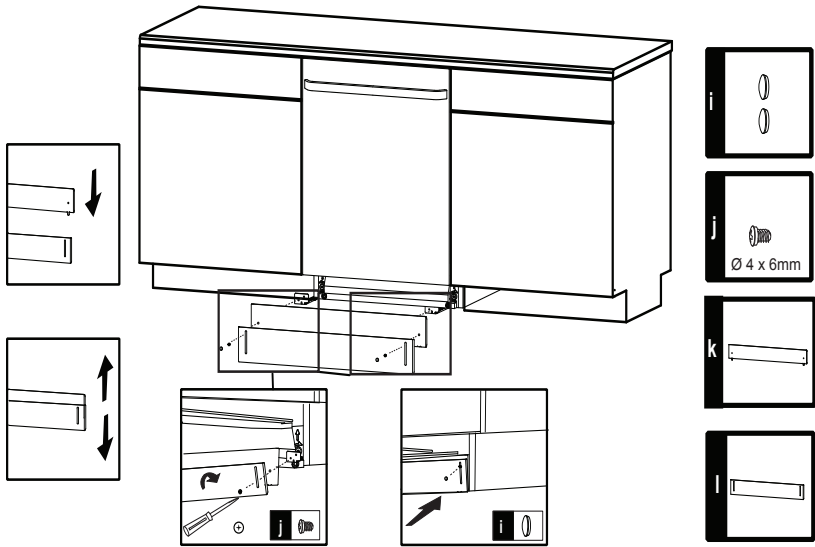
11

12

10



11



12

