

Çay Makinesi

Kullanma Kılavuzu



BKK 2110 IM
BKK 2110 C
BKK 2214 IN

BKK 2110 P
BKK 2110 IC

01M-7864910200-1616-01

beko

Please read this user manual first!

Dear Customer,

Thank you for preferring a Beko product. We hope that you get the best results from your product which has been manufactured with high quality and state-of-the-art technology. Therefore, please read this entire user manual and all other accompanying documents carefully before using the product and keep it as a reference for future use. If you handover the product to someone else, give the user manual as well. Follow all warnings and information in the user manual.

Explanation of symbols

Throughout this user manual the following symbols are used:



Important information or useful hints about usage.



Warning for hazardous situations with regard to life and property.



This product has been produced in environmentally friendly, modern facilities

Complies with the WEEE Regulation.



Does not contain PCB.

Made in Turkiye

CONTENTS

1 Important instructions for safety and environment 4-9

- 1.1 General safety 4
- 1.2 Compliance with WEEE regulation and disposal of the waste product 9
- 1.3 Package information 9

2 Your Tea Party 10-11

- 2.1 Overview 10
 - 2.1.1 Controls and parts 10
 - 2.1.2 Technical data 11

3 Use 12-13

- 3.1 Initial use 12
- 3.2 Operation 12
- 3.3 Switching off the appliance 13
- 3.4 Heating water 13
- 3.5 Things to do for energy saving 13

4 Maintenance and cleaning 14-15

- 4.1 Cleaning. 14
- 4.2 Descaling the tea pot 14
- 4.3 Storage 15

01M-8934441200-0315-01
01M-8910110200-0315-01
01M-8909220200-0315-01
01M-8937381200-0315-01
01M-8831391200-0315-01

This section covers the safety instructions that will help providing protection against personal injury and material loss risks. Failure to follow these instructions invalidates the granted warranty.

1.1 General safety

- Beko Household Appliances comply with the international security standards.
- This appliance can be used by the children who are at the age of 8 or over and by the people who have limited physical, sensory or mental capacity or who do not have knowledge and experience, provided that they are supervised or they understand the instructions with regard to safe use of the product and potential dangers. Children should not play with the appliance. Cleaning and user maintenance procedures should not be performed by children unless they are controlled by their elders.
- Be very careful when being used near children and persons who are restricted in their physical, sensory or mental abilities.

1

Important instructions for safety and environment

- Keep all the packaging materials away from children.
- No responsibility or warranty claim shall be assumed for damages arising from misuse or improper handling of the appliance.
- Do not use the appliance outdoors or in the bathroom.
- Do not use the appliance to heat other liquids or food sold in containers, cans, jars or bottles.
- Do not attempt to dismantle the appliance.
- Only use the original parts or parts recommended by the manufacturer.
- Do not leave this appliance unattended while it is in use.
- Always use the appliance on a stable, flat, clean dry, and non-slip surface.
- The appliance should not be operated with an external clock timer or separate remote control system.

1

Important instructions for safety and environment

- Do not move the appliance when it is still hot or when there is hot liquid inside the glass jug.
- Surface temperature might be high when the device is in use, avoid to touch it. Hold the glass jug and the teapot by its handle only.
- Do not use a glass jug and teapot which is cracked or handle of which is loosened or weakened.
- Appliance should be used with the glass jug.
- Your mains power supply should comply with the information supplied on the rating plate of the appliance.
- Do not use the appliance if the power cable or the appliance itself is damaged.
- Do not use the appliance with an extension cord.
- Dry the appliance and all parts before connecting it to mains supply and before attaching the parts.
- Do not touch the appliance or its plug with damp or wet hands.
- Place the appliance in a way so that the plug is always accessible.

1

Important instructions for safety and environment

- Prevent damage to the power cord by not squeezing, bending, or rubbing it on sharp edges.
- Make sure that there is possibility that the power cord could be accidentally pulled or that someone could trip over it when the appliance is in use.
- After you use the appliance, unplug the appliance when you leave the room where the appliance is located or when there is a failure.
- Unplug the appliance before each cleaning and never clean when the device is in use.
- Do not pull the power cable of the appliance to unplug the appliance from the outlet and never wrap its power cable around the appliance.
- Do not immerse the appliance, its power cord or power plug in water, any other liquids or do not hold it under water. Do not wash the components of the appliance in the dish washer except for its filter basket and glass teapot.
- When you use the appliance to boil water, use it with its glass teapot.

1

Important instructions for safety and environment

- Do not fill in the glass jug more than the maximum level indicator. If it is filled in excessively, hot water may splash when it boils. In order to increase your product's service life, fill water in it above the minimum level when you operate it.
- Use the appliance only with the supplied electric base unit.
- Do not operate or place any part of this appliance on or near hot surfaces.
- Never use the appliance in or near to combustible or inflammable places and materials.
- Do not open the teapot's lid during brewing.
- Do not operate the appliance when there is no water in it.
- Ventilation openings of the teapot lid discharge the vapor. Do not block the ventilation openings of the appliance with any object when it is in use.

1.2 Compliance with the WEEE Directive and Disposing of the Waste Product:

This product complies with EU WEEE Directive (2012/19/EU). This product bears a classification symbol for waste electrical and electronic equipment (WEEE).

This product has been manufactured with high quality parts and materials which can be reused and are suitable for recycling. Do not dispose of the waste product with normal domestic and other wastes at the end of its service life. Take it to the collection center for the recycling of electrical and electronic equipment. Please consult your local authorities to learn about these collection centers.

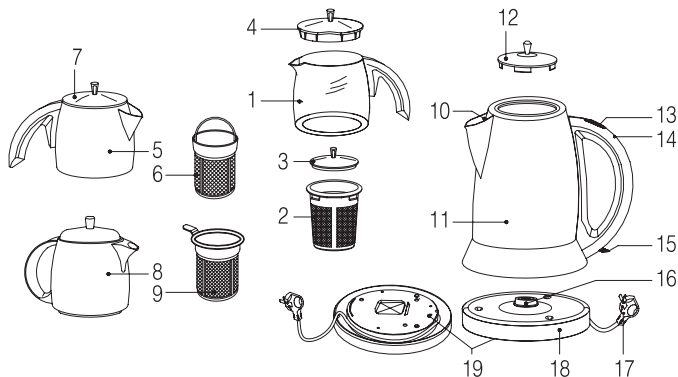
1.3 Package details



Package of the product is made of recyclable materials in accordance with our National Legislation. Do not dispose the package waste with the domestic wastes or other types of wastes, take them to the collection points which are recommended by the local authorities.

2 Your tea party

2.1 Overview



2.1.1 Controls and parts

1. Glass teapot (BKK 2110 C/IC)
2. Glass teapot stainless tea filter
3. Glass lid of teapot (BKK 2110 C)
4. Glass lid of teapot (BKK 2110 C/IC)
5. Inox teapot (BKK 2110 IM / BKK 2214 IN)
6. Inox teapot stainless tea filter
7. Inox lid of teapot (BKK 2110 IM/BKK 2214 IN)
8. Porcelain teapot (BKK 2110 P)
9. Porcelain teapot stainless tea filter
10. Stainless water filter
11. Boiler
12. Lid of Kettle (BKK 2110 P/C/IC)
13. Boiling button
14. Boiling / hot holding display
15. On/Off switch
16. Energy transmitting Plate
17. Power cord
18. Base
19. Cable storage unit

All declared values on the product and on the printed leaflets are picked up after laboratory measurements performed according to related standards. These values may differ upon usage and ambient conditions.

2 Your tea party

2.1.2 Technical data



Voltage : 220 - 240V ~ 50/60 Hz

Power : 1650 W

Teapot : Inox (BKK 2110 IM / BKK 2214 IN)

Glass (BKK 2110 C/IC)

Porcelain (BKK 2110 P)

Technical and design modifications reserved.

3 Use

3.1 Initial use

1. Fill the boiler (11) up to the max. mark and boil the water.
2. Afterwards, discard the hot water and rinse the inside of the boiler with water again.
3. Wash the teapot.



WARNING: Perform these procedures before brewing tea in the teapot.

3.2 Operation

1. Remove the power cord of the appliance from the cable storage unit (19) beneath the base (18).
2. Remove the boiler part of the appliance from the base (18).
3. After removing the teapot from the top, add water through the filling opening into the water reservoir between min. and max. marks according to the quantity of tea to be brewed.
4. Place it back to the base (18).
5. Remove the teapot lid, put some tea into the teapot, flush the tea with water and then drain the water.



Do not leave water in teapot.

6. Place the teapot back onto the boiler (11).
7. Plug in the appliance to the socket.
8. Move the On/Off switch (15) on the handle of the boiler (11) to ON (I) position.



WARNING: Do not operate the appliance when there is no water in boiler (11).

9. Move the boiling button (13) on the teapot to (☞) position.
 - Boiling display (14) lights up red. After the water boils, boiling button (13) is switched automatically to OFF (☛) position and boiling display (14) lights up green.



In this case, the appliance reduces its heating power, keeps the water hot at all times and thus, decreases the energy consumption.

10. Add the boiling water to the tea in the teapot and brew.



After adding water to the boiler of the appliance, lightly press the boiling button (13) downwards again to switch it to ON position (☁).

When brewed, your tea is ready.

3.3 Switching off the appliance

1. When you are done with using the appliance, lift the On/Off switch (15) of the appliance up and move it to OFF (0) position.
2. Unplug the appliance.
3. Allow the appliance to cool down.

3.4 Heating water

You can use the appliance only to boil water as well.

To this end, perform the procedures indicated in “3.2 Operation” section but skip steps 5 and 6 since they are related to tea brewing. You can fill desired amount of water observing the min. and max. marks. (see 3.2). Move the boiling button (13) on the teapot to (☁) position.



WARNING: Do not remove the teapot on the boiler (11) during water heating procedure. Boiling water may splash out and the appliance will not switch to energy saving mode.

3.5 Things to do for energy saving

Switch off and unplug the appliance after using it.

4 Maintenance and cleaning

4.1 Cleaning



WARNING: Never use petrol, solvents or abrasive cleaners, metal objects or hard brushes to clean the appliance.

1. Switch off and unplug the appliance.
2. Wait for the appliance to cool down.
3. Remove the glass teapot (1) and open the lid.
4. Remove the filter basket (2) from the teapot.
5. Wash and clean the filter basket (2) under water by using a little amount of soft detergent. Filter basket and glass teapot (1) can be washed at the upper shelf of the dishwasher or under running water.
6. Use a damp and soft cloth and a little amount of soft cleaner in order to clean the exterior of the appliance.

4.2 Descaling the tea pot

Descaling extends the life of your tea pot. Descaling period depends on the water hardness of your area.

1. Fill the tea pot with water, up to three quarters of the maximum level.
2. Add vinegar or citric acid in the tea pot up to the maximum level.
3. Boil the solution (refer to Operation section).
4. After the kettle has switched off, unplug the appliance.
5. Leave the solution in the tea pot for a few hours.
6. Pour out the solution and rinse the inside thoroughly.
7. Fill the tea pot with clean water and boil the water.
8. Empty the tea pot and rinse it with water again.

4.3 Storage

- If you do not plan to use the appliance for a long period of time, please store it carefully.
- Make sure the appliance is unplugged and completely dry.
- Store the appliance in a cool, dry place.
- Make sure the appliance is kept out of the reach of children.

