

Please read this manual first!

Dear Customer,

Thank you for preferring this Beko product. We hope that you get the best results from your product which has been manufactured with high quality and state-of-the-art technology. Therefore, please read this user manual and all other accompanying documents carefully before using the product and keep it as a reference for future use. If you handover the product to someone else, give the user manual as well. Follow all warnings and information in the user manual.

Meanings of the symbols

Following symbols are used in the various sections of this manual:



Important information and useful hints about usage.



WARNING: Warnings against dangerous situations concerning the security of life and property.



WARNING: Warning for hot surfaces.



WARNING: Risk or burning and scalding due to steam.

1 Important safety and environmental instructions

This section contains safety instructions that will help protect from risk of personal injury or property damage.

Failure to follow these instructions invalidates the granted warranty.

1.1 General safety

- This appliance complies with the international safety standards.
- This appliance is intended to be used in household and similar applications such as:
 - Staff kitchen areas in shops, offices and other working environments;
 - Farm houses
 - By clients in hotels, and other residential type environments;
 - Bed and Breakfast type environments.

It is not fit for industrial use.

- This appliance may be used by children who are at the age of 8 or over and the people whose physical, perceptive or mental skills are impaired or who are inexperienced or not knowledgeable about the appliance as long as they are supervised or informed and made understood the safe use of the appliance and the encountered dangers. Children should not play with the appliance. Cleaning and user maintenance procedures should not be performed by children unless they are controlled by their elders.
- Do not leave the product unattended while it is plugged in.
- Unplug the product before filling the water reservoir with water.
- Operate and store the appliance on a stable surface.
- When the appliance is placed on its base plate, ensure that the surface beneath the plate is level.

1 Important safety and environmental instructions

- Do not use the appliance if the power cable or the appliance itself is damaged. Contact an authorised service.
- If the appliance is dropped or leaks water or has other failures, contact the authorised service. Do not use the appliance until it is repaired.
- When the appliance is not in use or left to cool down keep the appliance and power cable out of reach of children under 8 years old.
- The appliance is not suitable for using outdoors.
- Only use the original parts or parts recommended by the manufacturer.
- Do not attempt to dismantle the appliance.
- Your mains power supply should comply with the information supplied on the rating plate of the appliance.
- The mains supply of the appliance must be secured with a minimum 16 A fuse.
- Use the appliance with a grounded outlet only.
- Do not use the appliance with an extension cord.
- Do not pull the power cable when unplugging the appliance.
- Unplug the appliance before cleaning it.
- Do not wrap the cable around the appliance. Wrap the cable around the cable wrapping section provided at the rear of the appliance only.
- Do not touch the appliance or its plug with wet or damp hands when the appliance is plugged in.
- It is highly suggested not to use this appliance continuously for more than one hour.
- The soleplate and its surrounding area can be extremely hot. Contacting hot surfaces may cause burns. Therefore while or just after using the appliance, pay attention not to touch the hot surfaces.
- Never use the appliance in or near to combustible or inflammable places and materials.

1 Important safety and environmental instructions

- If you keep the packaging materials, store them out of the reach of children.
- Do not open the water filling cover during use.

1.2 Compliance with WEEE Directive and Disposing of the Waste Product

This product complies with EU WEEE Directive (2012/19/EU). This product bears a classification symbol for waste electrical and electronic equipment (WEEE).



This symbol indicates that this product shall not be disposed with other household wastes at the end of its service life. Used device must be returned to official collection point for recycling of electrical and electronic devices. To find these collection systems please contact to your local authorities or retailer where the product was purchased. Each household performs important role in recovering and recycling of old appliance.

Appropriate disposal of used appliance helps prevent potential negative consequences for the environment and human health.

1.3 Compliance with RoHS Directive

The product you have purchased complies with EU RoHS Directive (2011/65/EU). It does not contain harmful and prohibited materials specified in the Directive.

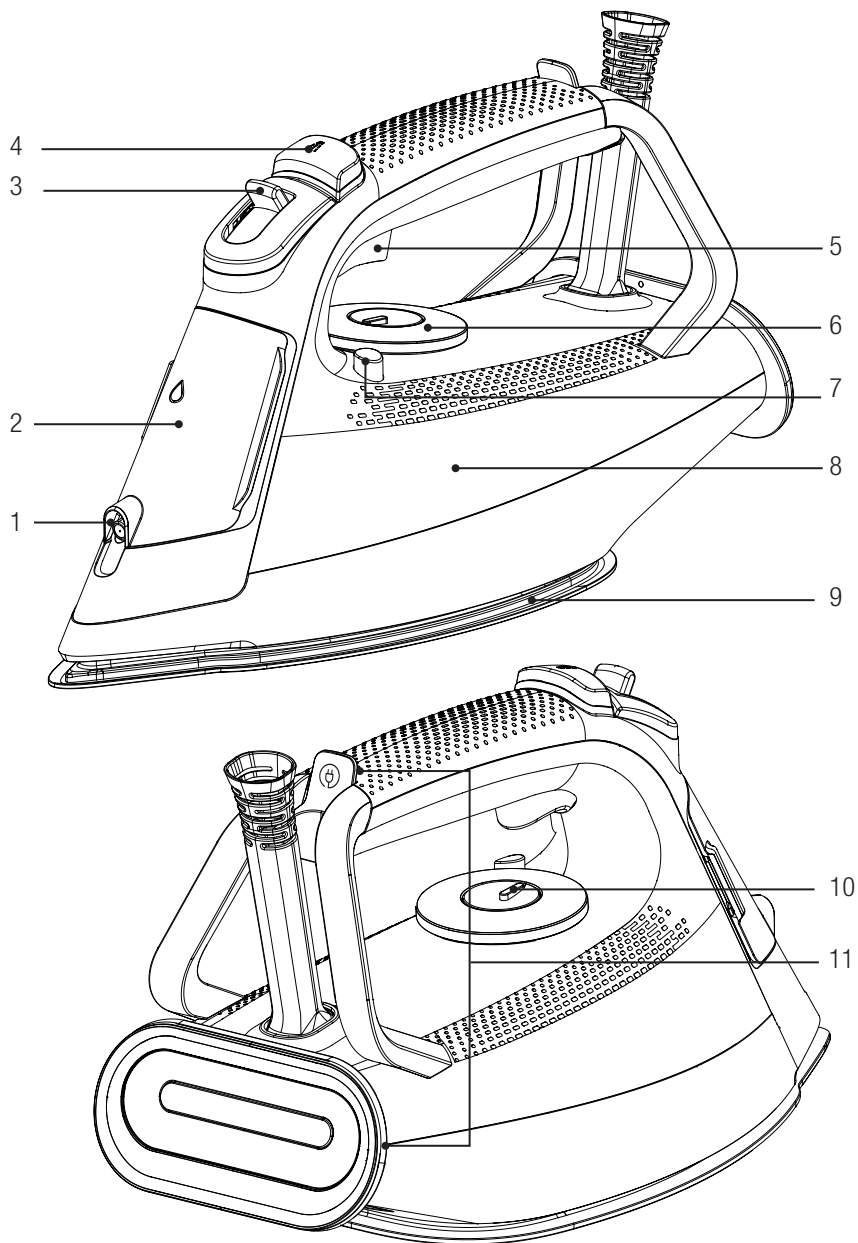
1.4 Package Information



Packaging materials of the product are manufactured from recyclable materials in accordance with our National Environment Regulations. Do not dispose of the packaging materials together with the domestic or other wastes. Take them to the packaging material collection points designated by the local authorities.

2 Your steam iron

2.1 Overview



2 Your steam iron

Control and parts

1. Water spray hole
2. Water filling cap
3. Steam adjustment button
4. Water spray button
5. Intense steam button
6. Temperature adjustment button
7. Descaling (Self clean) button
8. Water tank
9. Base
10. Thermostat indicator and Auto-Off light
11. Cord wrapper

2.2 Technical data

Voltage	220-240 V~ 50-60 Hz
Power Consumption	2520-3000 W
Intense steam	270 g*
Continuous steam	Up to 55 g/min.
Insulation class	I



*Measured at maximum temperature level, when intense steam is applied with 3-second intervals for an operating period of 30 minutes.

The rights to make technical and design changes are reserved.

The values provided with the appliance or its accompanying documents are laboratory readings in accordance with the respective standards. These values may differ depending on the use and ambient conditions.

3 Operation

3.1 Intended use

The appliance is intended for home use and ironing only, it is not suitable for professional use.

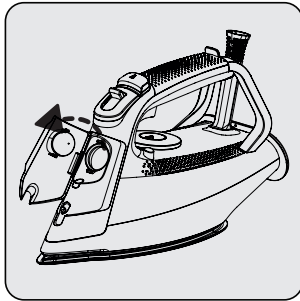
3.2 First operation

Upon initial operation, fill the water tank with water and evaporate to remove any occurred residue (see Fig. 3.6). At the same time, use the intense steam button (5) frequently.

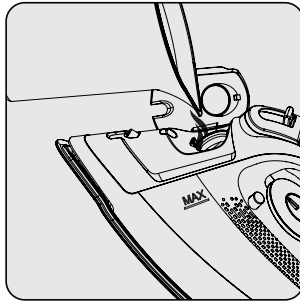


During the initial use of the appliance, a slight odour and white deposits may occur from the holes on the baseplate. Odours and deposits will disappear after implementing evaporation twice. Also, there may be water droplets in the water tank, this is normal.

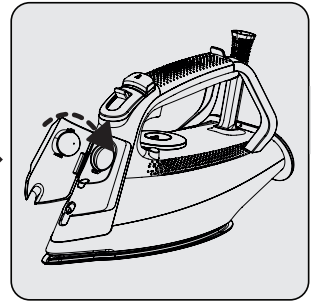
3.3 Filling the water tank



Open the water filling cap (2).



Fill the water up to the MAX line, holding the appliance in slightly vertical position.



Close the water filling cap (2).



WARNING: Do not put perfume, vinegar, soda, descaling agents, ironing aids or other chemicals into the water tank (8).



Your appliance is designed for using tap water. If the tap water in your region is extremely calcareous, use the tap water mixed with drinking water.

3 Operation

3.4 Temperature settings and dry ironing

Pay attention to the table below when adjusting the temperature setting on your appliance.

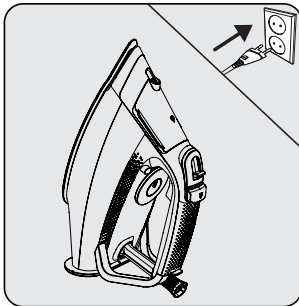
Type of Fabric	Temperature Adjustment	Steam Setting
Silk goods	•	Low temperature
Wool	••	Medium temperature
Cotton	•••	High temperature
Linens-Jeans	Max	High temperature



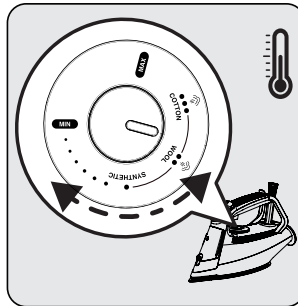
WARNING: For ironing, follow the ironing instructions on the fabric label.



- If you don't know what kind of fabric your garment is made of, set the accurate ironing temperature by ironing a non-visible part of your garment.
- To prevent shiny stains on synthetic fabrics such as silk, iron the reverse side of the fabric. Do not use the water spray feature to prevent formation of stains.
- Set the steam adjustment button (3) to the "0" position for dry ironing.
- It is useful to have water in the appliance for dry ironing, if necessary, you can use the water spray button (4).



Set the appliance to the upright position and plug it in.



Set the appropriate temperature setting using the temperature adjustment button (6).

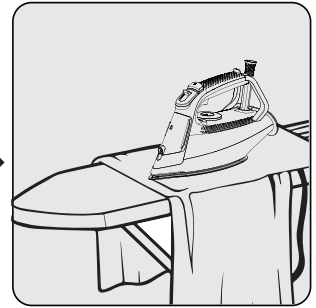
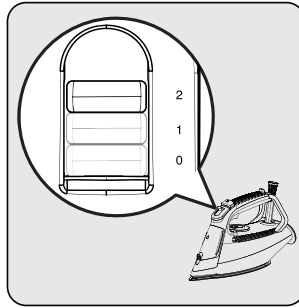
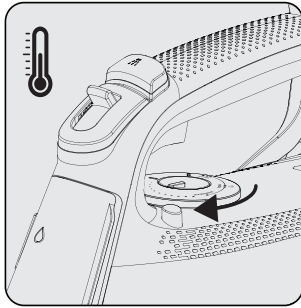
- The thermostat indicator light (10) turns on.
- When the appliance reaches the temperature you have set, the thermostat indicator light (10) turns off.



The appliance is now ready for dry ironing.

3 Operation

3.5 Steam ironing



Set the appropriate temperature setting using the temperature adjustment button (6).

- The thermostat indicator light (10) turns on.
- When the appliance reaches the temperature you have set, the thermostat indicator light (10) turns off.

Adjust the appropriate temperature setting using the steam adjustment button (3).

The appliance is now ready for steam ironing.



WARNING: The temperature adjustment button (6) should be within the range of "Woolens" and "MAX" position to be able to do steam ironing.

3.6 Intense steam



WARNINGS:

- When you initiate ironing, intense steam may not come out upon initially pressing the button for a few times. The temperature adjustment button (6) should be at the "Woolens" or higher level in order to get intense steam.
- Wait a few seconds before pressing the intense steam button (5) again. If the shock steam button (5) is pressed repeatedly, water may also come from the base (9) along with steam.
- To use the intense steam feature, the thermostat indicator light (10) should turn off.

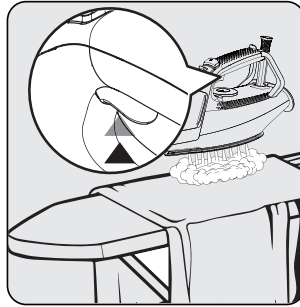
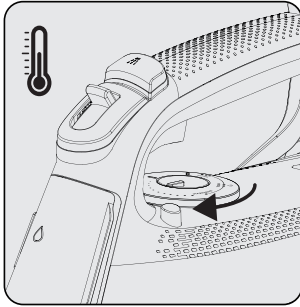


WARNING: Never direct the steam at people or animals.

3 Operation



WARNING: When the thermostat indicator light (10) turns on when ironing, wait for the light (10) to turn off to continue the intense steam process.



Set the appropriate temperature setting using the temperature adjustment button (6).

- The thermostat indicator light (10) turns on.
- When the appliance reaches the temperature you have set, the thermostat indicator light (10) turns off.

Your iron is ready for use.

You can iron with the powerful steam you get by pressing the intense steam button (5).

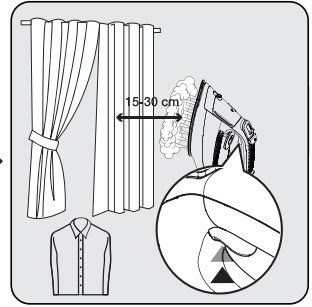
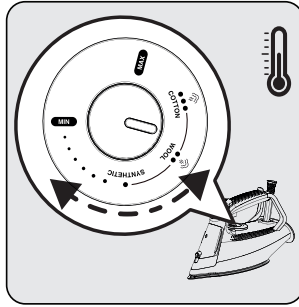
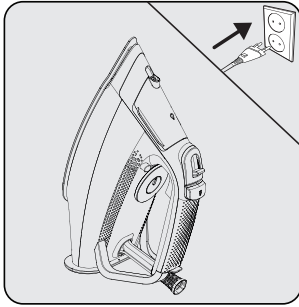
3.7 Vertical steam

You can use the intense steam feature also in vertical position (see 3.6).



WARNING: When the thermostat indicator light (10) turns on when ironing, wait for the light (10) to turn off to continue the intense steam process.

3 Operation



Fill the water tank (8) with water (see 3.3). Set the appliance to the upright position and plug it in.

Set the appropriate temperature setting using the temperature adjustment button (6).

- The thermostat indicator light (10) turns on.
- When the appliance reaches the temperature you have set, the thermostat indicator light (10) turns off.

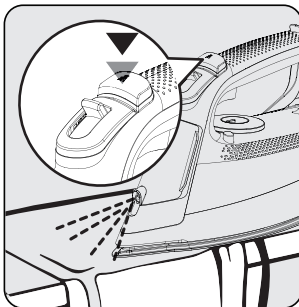
Your iron is ready for use.

By pressing the intense steam button (5), you can spray steam on your curtains and hanging clothes. Keep the appliance 15-30 cm away from clothing and curtains.

3.8 Water spraying



- Make sure there is enough water in the tank (8) before spraying.
- You can remove wrinkles more easily with the water spraying feature.



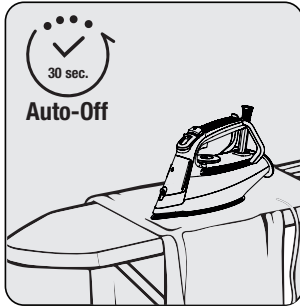
Press the water spray button (4) and continue ironing.

3 Operation

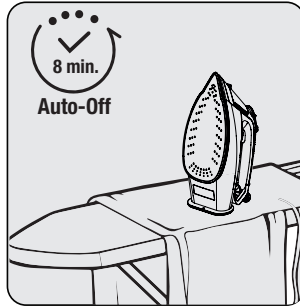
3.9 Auto-Off



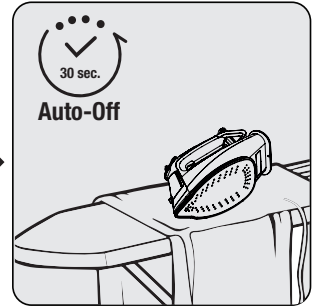
- In case of automatic shut-down, the Auto-Off light (10) blinks.
- It may take about 60 seconds for the baseplate (9) temperature to reach its previous level.
- If you move the appliance horizontally, it would start to operate.



If you do not move the appliance for approximately 30 seconds while in horizontal position, it would shut-down automatically.



If you do not move the appliance for 8 minutes while in vertical position, it would shut-down automatically.



If you do not move the appliance for 30 seconds in lateral position (right or left), it would shut-down automatically.

3.10 Anti-dripping system

The appliance is equipped with an anti-dripping system. To prevent water from flowing out of the baseplate (9), the iron automatically stops evaporating when the temperature is too low.

You may iron even most delicate fabric perfectly with the anti-dripping system.

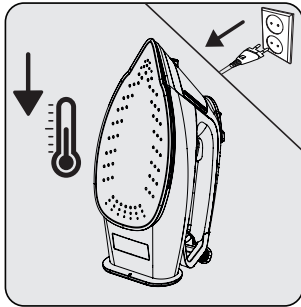
4 Cleaning and care

4.1 Cleaning

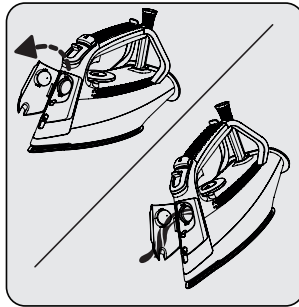
WARNINGS:



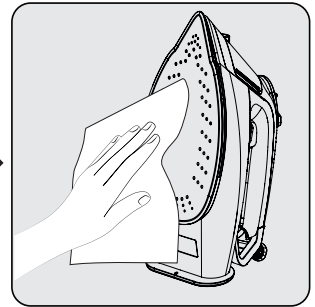
- Do not use benzene, solvents, abrasive cleaners or hard brushes to clean the appliance.
- Never put vinegar, descaler, soda, perfume or other ironing aids into the appliance.
- Do not wash your appliance under running water or immerse it in water or other liquids.
- Do not use abrasive cleaning agents to clean the baseplate (9).



Unplug the appliance before cleaning. Wait for the appliance to completely cool down.



Open the water filling cap (2) and drain the remaining water in the water tank (8) by tilting the appliance forward.



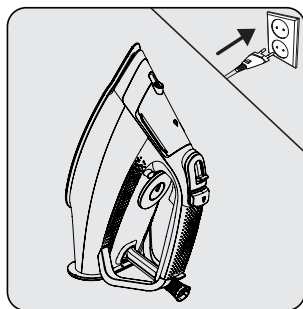
Wipe off any residues outside of the appliance and on the baseplate (9) using a damp cloth and, if necessary, a light, non-abrasive liquid cleaning agent.

4.2 Descaling (Self clean)

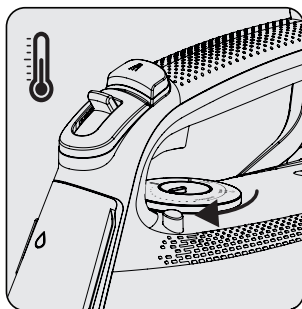
This process allows the lime particles accumulated within the appliance to be removed. Use the descaling feature every 10-15 days. If the water in your region is too calcareous (if lime particles falls off the baseplate (9) when ironing), use the descaling feature more often.

- Fill water up to the MAX line in the water tank (8). 3.3).

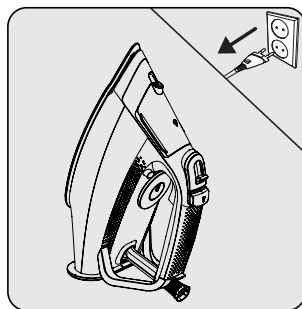
4 Cleaning and care



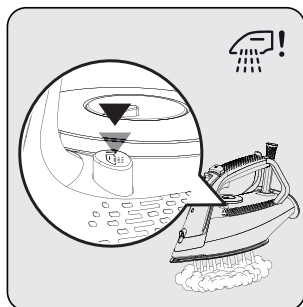
Plug the appliance.



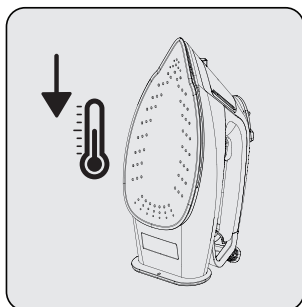
Set the temperature adjustment button (6) to the "MAX" position and wait until the thermostat light (10) turns off.



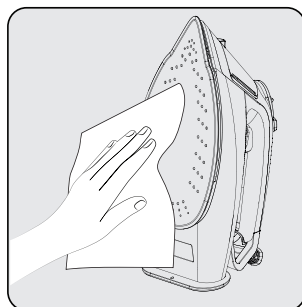
Unplug the appliance before cleaning.



Place the appliance horizontally on the sink and shake the iron by pressing the "!" descaling button (7). Continue until the water in the water tank (8) runs out. When finished, release the descaling button (7).



Once descaling is complete, wait for the appliance to cool down completely.



Wipe off any residues outside of the appliance and on the baseplate (9) using a damp cloth and, if necessary, a light, non-abrasive liquid cleaning agent.



Self-cleaning feature removes dirt from the inside of the baseplate. We recommend that you use this feature every 10-15 days.

4 Cleaning and care

4.3 Storage

- If you do not intend to use the appliance for a long time, store it carefully.
- Unplug the appliance and wait for it to cool down before storing.
- Drain the water tank.
- Store the appliance and its accessories in their original packaging.
- Store the appliance in a cool and dry environment.
- Always ensure that the appliance is kept out of reach of children.

4.4 Transport and shipping

- During transport and shipping, carry the appliance with its original packaging. The packaging of the appliance will protect the appliance against physical damage.
- Do not put heavy objects on the appliance or its packaging. Otherwise the appliance may be damaged.
- If the appliance is dropped, the appliance may not operate or permanent damage may occur.

5 Troubleshooting

Problem	Possible cause	Solution
The base does not heat (9) although the appliance is plugged.	The plug or power cord of the appliance may be faulty.	Contact the authorized service if the appliance does not operate although the appliance is plugged in.
	Temperature adjustment button (6) may be set at Min. position.	Turn the temperature adjustment button (6) clockwise to the section with the steam sign.
The appliance does not produce steam.	The amount of water in the water tank (8) may be insufficient.	Fill water up to the MAX line in the water tank (8). 3.3).
	The steam adjustment button (3) may be set at the "dry ironing" position.	Set the steam adjustment button (3) at the "steam" position (see 3.5).
Intense Steam - Vertical Steam function does not work.	These functions may have been used too much in a very short time.	Continue ironing horizontally and wait before using the intense steam function again.
	The baseplate (9) may not be hot enough.	Turn the temperature adjustment button (6) clockwise to the section with the steam sign. Set the device in an upright position and wait for the base to warm up.
Water drips onto the fabric.	You may not have closed the water filling cap (2) completely.	Close the water filling cap (2) completely.
Sediments and residues fall of from the base (9) while ironing.	Such sediments may occur if the water you use in your appliance is too calcareous.	Fill the water reservoir of the appliance by mixing the tap water and drinking water for your next ironing operations.
		Use the descaling function once or several times (see 4.2).
Appliance drips water after it is cooled or lifted up.	You may have left the appliance at horizontal position when there is still water in the water tank (8).	Drain the water tank (8).
There are stains on the base (9).	Wet clothes may be ironed/scale stains have occurred on the baseplate (9).	Once cooled down enough, wipe the baseplate with a microfibre braid or cotton cloth dipped in vinegar.