



*Steam Cleaner
User Manual*

K 7804



Please read this user manual first!

Dear Valued Customer,

Thank you for preferring this Arçelik appliance. We hope that you get the best results from your appliance which has been manufactured with high quality and state-of-the-art technology. Therefore, please read this entire user manual and all other accompanying documents carefully before using the product and keep it as a reference for future use. If you handover the product to someone else, give the user manual as well. Follow the instructions by paying attention to all the information and warnings in the user manual.

Meanings of the Symbols

Following symbols are used in various sections of this manual:



Important information and useful hints about usage.



Warning for hazardous situations with regard to life and property.



Warning for electric shock.



Warning for hot surfaces.



Warning for hot steam.



This appliance has been produced in environmentally-friendly facilities without harming the nature.



It does not contain PCB.

CONTENTS

1 Important safety and environmental instructions 4-5

- 1.1 General safety 4
- 1.2 Compliance with the WEEE Directive and disposal of waste products 5
- 1.3 Package information 5

2 Your steam cleaner 6

- 2.1 Overview 6
- 2.2 Technical data. 6

3 Operation 7-8

- 3.1 Intended use. 7
- 3.2 Attaching/removing the handle. 7
- 3.3 Attaching/removing the cleaning base . . . 7
- 3.4 Attaching/removing the cleaning mop. . . 7
- 3.5 Refilling the water reservoir 8
- 3.6 Operation 8

4 Cleaning and maintenance 9

- 4.1 Cleaning. 9
 - 4.1.1 Cleaning the water reservoir. 9
- 4.2 Storage 9

5 Troubleshooting 9

1 Important safety and environmental instructions

This section contains safety instructions that will help protect from risk of personal injury or material damage.

Failure to follow these instructions voids any granted warranty.

1.1 General safety

- This appliance complies with the international safety standards.
- This appliance may be used by children who are at the age of 8 or over and the people whose physical, perceptive or mental skills are impaired or who are inexperienced or not knowledgeable about the appliance as long as they are supervised or informed and made understood the safe use of the appliance and the encountered dangers. Children should not play with the appliance. Cleaning and care works should not be performed by children unless they are supervised by an adult.
- If the power cable or the appliance itself is damaged, do not use it. Contact an authorised service.
- Your mains power supply should comply with the information supplied on the rating plate of the appliance.
- The mains supply on which you will use the appliance must be secured with a 16 A fuse minimum.
- Use the appliance with a grounded outlet.
- Do not use the appliance with an extension cable.
- Prevent damage to the power cable by not squeezing, bending, or rubbing it on sharp edges.
- Do not touch the appliance or its plug when it is plugged if your hands are damp or wet.
- Do not pull the power cable when unplugging the appliance.

1 Important safety and environmental instructions

- Protect the appliance from rain, humidity and heat sources.
- Never use the appliance in or near places where combustible or inflammable ambience or places are present.
- Unplug the appliance before cleaning and maintenance.
- Do not immerse the appliance or its power cable in water for cleaning.
- Do not attempt to dismantle the appliance.
- Only use the original parts or parts recommended by the manufacturer.
- Do not open the filling cap during refilling.
- Do not direct steam towards parts containing electrical components, such as the inner parts of ovens.
- Fill the water reservoir solely with water. Do not use chemicals.

- If you keep the packaging materials, store them out of the reach of children.

1.2 Compliance with the WEEE Directive and disposal of waste products



This product does not include harmful and prohibited materials specified in the “Regulation for Supervision of the Waste Electric and Electronic Appliances” issued by the Ministry of Environment and Urbanisation. This appliance conforms to the WEEE regulation. This appliance was manufactured from high quality parts and materials which are recyclable and re-usable. For this reason, do not dispose of this appliance with the domestic or other types of wastes at the end of its service life. Take it to a collection point which is dedicated to recycling of electric and electronic appliances. Ask the local authority in your area for these collection points. Contribute to the preservation of environment and natural sources by taking the used products to the recycling points.

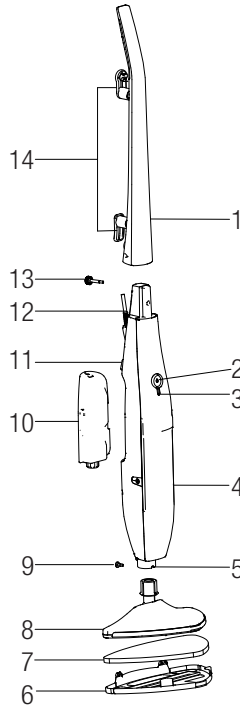
1.3 Package information



Package of the product is made of recyclable materials in accordance with our National Legislation. Do not dispose the package waste with the domestic wastes or other types of wastes, take them to the collection points which are recommended by the local authorities.

2 Your steam cleaner

2.1 Overview



1. Handle
2. On/Off button
3. Power indicator light
4. Body
5. Steam outlet
6. Carpet brush
7. Cleaning mop
8. Cleaning base
9. Fixing screw
10. Water tank
11. Water reservoir release button
12. Power cord
13. Fixing screw
14. Cable winding hooks

2.2 Technical data

Power	: 1600 W
Supply voltage	: 220-240 V~, 50/60Hz

Rights to make technical and design changes are reserved.

The values which are declared on the markings affixed to your product or in other printed documents supplied with it represent the values which have been obtained in the laboratories pursuant to the pertinent standards. These values may vary according to the usage of the appliance and ambient conditions.

3 Operation

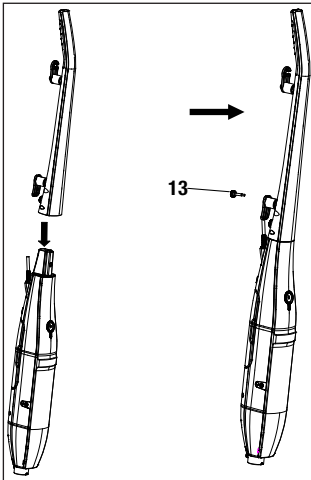
3.1 Intended use

This appliance is intended for household usage. It is not suitable for industrial use.

This appliance has been designed to deeply clean marble, ceramic, carpet, tile, oil-cloth covered floors, coated wooden floors and parquet floors.

3.2 Attaching/removing the handle

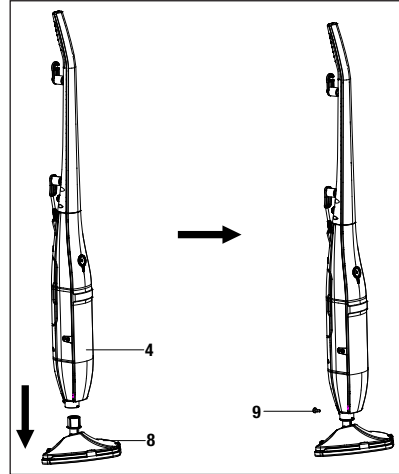
1. Attach the handle (1) to its slot on the body (4) and rotate the fixing screw clockwise to fix it.



2. To remove the handle (1), rotate the fixing screw anti-clockwise.

3.3 Attaching/removing the cleaning base

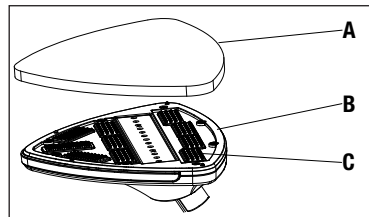
1. Attach the cleaning base (8) to its slot on the body (4) and rotate the fixing screw clockwise to fix it.



2. To remove the cleaning base (8), rotate the fixing screw anti-clockwise.

3.4 Attaching/removing the cleaning mop

1. Adhere the velcro loops of the cleaning mop (A) to the velcro fastener (C) on the cleaning base (B) and slightly press by moving to the right and left to make sure it is secure.



2. Pull the cleaning mop out of the cleaning base to remove it.

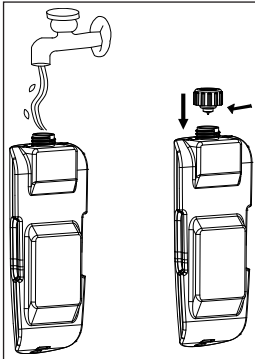
3 Operation

3.5 Refilling the water reservoir

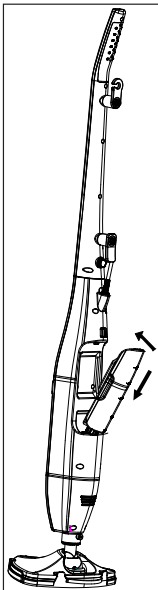
1. Press the water reservoir release button (11) and take out the water reservoir (10).
2. Open the lid of the water reservoir and fill it with water up to 400 ml level.



WARNING: Fill the water reservoir solely with water. Do not use chemicals.



3. Attach the water reservoir (10) to its slot on the body (4) in the direction shown below. Push the water reservoir until you hear a click.



WARNING: The power indicator light (3) will flash if the water reservoir (10) is not completely seated or if water is depleted.



WARNING: After filling and installing the water reservoir (10), you can press the on/off button (2) twice to continue cleaning. This way, the power indicator will stop flashing and remain on.

3.6 Operation

1. Plug in the appliance to the socket.
2. Press the on/off button (2). Power indicator light (3) will become on.
3. The appliance will start ejecting steam in 15-20 seconds.



There will be hot steam coming out.



You will hear the operating noise of the pump when the product is operating or needs refilling.



WARNING: If you are going to use the cleaning base (8) to clean the floor, do not use the appliance before attaching the cleaning mop (7).



WARNING: Operating the appliance on the same area for a long time may damage the floor.



WARNING: Do not use the steam function on wooden or laminated floors that do not have a water-proof covering or whose water-proof covering has been damaged. Steam may tarnish polished wooden floors. Test the appliance on an invisible area of the floor to make sure it is suitable for cleaning with hot steam.

4. When the steam-cleaning process is done, turn off and unplug the appliance and let it cool down for 60 minutes.

4 Cleaning and maintenance

4.1 Cleaning



WARNING: Never use gasoline, solvent, abrasive cleaning agents, metal objects or hard brushes to clean the appliance.

- 1 Turn the appliance off and disconnect it from wall socket.
2. Wait for the appliance to cool down completely.

4.1.1 Cleaning the water reservoir

1. Fill the water reservoir (10) with clean water and shake it (see 3.5).
2. Turn it upside down to discharge the water.

4.2 Storage

- If you do not intend to use the appliance for a long time, store it carefully.
- Please make sure that the appliance is unplugged, cooled and totally dry.
- Keep the appliance out of the reach of children.

5 Troubleshooting

Appliance does not run.

- The appliance may be unplugged. >>> *Make sure that the appliance is plugged into a suitable socket.*

Little or no steam is ejected.

- The water reservoir (10) might be empty.>>>*Fill the water reservoir (see 3.5).*
- Steam outlet (5) may be blocked. >>> *Remove the cleaning base (8) and clean the tips.*

Cleaning mop (7) is getting wet.

- Mop may be water-logged. >>> *Wait for the mop to cool down. Then remove the wet mop and attach a dry mop instead.*

