



## Mikrodalga Fırın

Kullanma Kılavuzu



MD 201 S - MD 201 B

EN - TR



01M-8912321100-1322-02  
01M-8912331100-1322-02

# CONTENTS

---

## **1 Important safety and environmental instructions 4**

- 1.1 Safety warnings ..... 4
- 1.2 Compliance with the WEEE Directive and Disposing of the Waste Product: ..... 9
- 1.3 Compliance with RoHS Directive ..... 9
- 1.4 Package information ..... 9

## **2 Your microwave oven 10**

- 2.1 Overview ..... 10
- 2.2 Technical data ..... 10
- 2.3 Installing the turntable ..... 11

## **3 Installation and connection 11**

- 3.1 Installation ..... 11
- 3.2 Radio interference ..... 11
- 3.3 Microwave cooking principles ..... 12
- 3.4 Grounding instructions ..... 12
- 3.5 Utensils guide ..... 12

## **4 Operation 14**

- 4.1 Control panel ..... 14
- 4.2 Operation ..... 14

## **5 Cleaning and care 15**

- 5.1 Cleaning and care ..... 15
- 5.2 Storage ..... 15
- 5.3 Handling and transportation ..... 16

## **6 Troubleshooting 16**

---





# Please read this manual first!

Dear Customer,

Thank you for selecting a Arçelik product. We hope that you get the best results from your product which has been manufactured with high quality and state-of-the-art technology. Therefore, please read this entire user manual and all other accompanying documents carefully before using the product and keep it as a reference for future use. If you handover the product to someone else, give the user manual as well. Follow all warnings and information in the user manual.

## Meanings of the symbols

Following symbols are used in the various section of this user manual:

	Important information and useful hints about usage.
	Warnings for dangerous situations concerning the safety of life and property.
	Warning for electric shock.
	Warning for hot surfaces.



This product has been manufactured in environmental friendly modern plants without giving any harm to the nature.

---

# 1 Important safety and environmental instructions

## Important Safety Instructions Read Carefully And Keep For Future Reference

### 1.1 Safety warnings

This section contains safety instructions that will help protect from risk of fire, electric shock, exposure to leak microwave energy, personal injury or property damage. Failure to follow these instructions shall void any warranty.

- Arçelik Microwave Ovens comply with the applicable safety standards; therefore, in case of any damage on the appliance or power cable, it should be repaired or replaced by the dealer, service center or a specialist and authorized service alike to avoid any danger. Faulty or unqualified repair work may be dangerous and cause risk to the user.
- This appliance is intended to be used in household and similar applications such as:
  - Farm houses
  - By clients in hotels, and other residential type environments;
  - Bed and Breakfast type environments.
- Staff kitchen areas in shops, offices and other working environments;
- It is not intended for industrial or laboratory use.
- Do not attempt to start the oven when its door is open; otherwise you may be exposed to harmful microwave energy. Safety locks should not be disabled or tampered with.
- The microwave oven is intended for heating food and beverages. Drying of food or clothing and heating of warming pads, slippers, sponges, damp cloth and similar may lead to risk of injury, ignition or fire.
- Do not place any object between the front side and the door of the oven. Do not allow dirt or cleaning agent remnants to build up on the closure surfaces.
- Any service works involving removal of the cover that provides protection against exposure to

# 1 Important safety and environmental instructions

- microwave energy must be performed by authorized persons/service. Any other approach is dangerous.
- Your product is intended for cooking, heating and defrost food at home. It must not be used for commercial purposes.
  - Your oven is not designed to dry any living being.
  - Do not use your appliance to dry clothes or kitchen towels.
  - Do not use this appliance outdoors, bathrooms, humid environments or in places where the it can get wet.
  - No responsibility or warranty claim shall be assumed for damages arising from misuse or improper handling of the appliance.
  - Never attempt to dismantle the appliance. No warranty claims are accepted for damage caused by improper handling.
  - Only use the original parts or parts recommended by the manufacturer.
  - Do not leave this appliance unattended while it is in use.
  - Always use the appliance on a stable, flat, clean dry, and non-slip surface.
  - The appliance should not be operated with an external clock timer or separate remote control system.
  - Before using the appliance for the first time, clean all parts. Please see the details given in the “Cleaning and Maintenance” section.
  - Operate the appliance for its intended purpose only as described in this manual.
  - Appliance becomes very hot while it is in use. Pay attention not to touch the hot parts inside the oven.
  - Do not operate the oven empty.
  - Cooking utensil may get hot due to the heat transferred from the heated food to the utensil. You may need oven gloves to hold the utensil.
  - Utensils shall be checked to ensure that they are suitable for use in microwave ovens.

# 1 Important safety and environmental instructions

- Do not place the oven on stoves or other heat generating appliances. Otherwise, it may be damaged and the warranty becomes void.
- Steam may come out while opening the covers or the foil after cooking the food.
- The appliance and its accessible surfaces may be very hot when the appliance is in use.
- Door and outer glass may be very hot when the appliance is in use.
- Make sure that your mains power supply complies with the information supplied on the rating plate of the appliance.
- The only way to disconnect the appliance from the power supply is to remove the power plug from the power outlet.
- Use the appliance with a grounded outlet only.
- Never use the appliance if the power cable or the appliance itself is damaged.
- Do not use this appliance with an extension cord.
- Never touch the appliance or its plug with damp or wet hands.
- Place the appliance in a way so that the plug is always accessible.
- Prevent damage to the power cable by not squeezing, bending, or rubbing it on sharp edges. Keep the power cable away from hot surfaces and naked flame.
- Make sure that there is no danger that the power cable could be accidentally pulled or that someone could trip over it when the appliance is in use.
- Unplug the appliance before each cleaning and when the appliance is not in use.
- Do not pull the power cable of the appliance to disconnect it from its power supply and never wrap its power cable around the appliance.
- Do not immerse the appliance, power cable, or power plug in water or any other liquids. Do not hold it under running water.
- When heating food in plastic or paper containers, keep an eye

# 1 Important safety and environmental instructions

- on the oven due to the possibility of ignition.
- Remove the wire strings and/or metal handles of paper or plastic bags before placing bags to the oven.
  - If smoke is observed, switch off or unplug the appliance if safe to do so and keep the door closed in order to stifle any flames.
  - Do not use microwave oven for storage. Do not leave paper items, cooking material or food inside the oven when it is not being used.
  - The contents of feeding bottles and baby food jars should be stirred or shaken and the temperature checked before consumption, in order to avoid burns.
  - This appliance is a Group 2 Class B ISM equipment. Group 2 contains all ISM (Industrial, Scientific and Medical) equipment in which radio-frequency energy is intentionally generated and/or used in the form of electromagnetic radiation for the treatment of material, and spark erosion equipment.
  - Class B equipment is suitable for use in domestic establishments and establishments directly connected to a low voltage power supply network.
  - Do not use cooking oil in the oven. Hot oil may damage the components and materials of the oven, and it may even cause skin burns.
  - Pierce food with thick crust such as potatoes, courgettes, apples and chestnuts.
  - Appliance must be placed so that the rear side is facing the wall.
  - Before moving the appliance, please secure the turntable to prevent damage.
  - Eggs in their shell and whole hard-boiled eggs must not be heated in microwave ovens since they may explode, even after microwave heating has ended.
- WARNING:** If the door or door seals are damaged, the oven must not be operated until it has been repaired by a competent person.

# 1 Important safety and environmental instructions

**WARNING:** It is hazardous for anyone other than a competent person to carry out any service or repair operation which involves the removal of a cover which gives protection against exposure to microwave energy.

**WARNING:** Liquids and other foods must not be heated in sealed containers since they are liable to explode.

- The oven should be cleaned regularly and any food deposits removed.
- There should be min 20 cm free space above the top surface of the oven.
- Do not over-cook foods; otherwise, you may cause a fire.
- Do not use chemicals and steam assisted cleaners to clean the appliance.
- Extreme caution is advised when being used near children and persons who are restricted in their physical, sensory or mental abilities.
- This appliance can be used by the children who are at the age of 8 or over and by the people who have limited physical, sensory or mental capacity or who do not have knowledge and experience, as long as they are supervised with regard to safe use of the product or they are instructed accordingly or understand the risks of using the product. Children should not play with the appliance. Cleaning and user maintenance procedures should not be performed by children unless they are controlled by their elders.
- **Danger of choking!** Keep all the packaging materials away from children.
- Due to excessive heat that arises in grill and combination modes, children should only be allowed to use these modes under supervision of an adult.
- Keep the product and its power cable so that they are inaccessible by children under 8 years old.
- Do not cook food directly on the glass tray. Put the food in / on appropriate kitchen utensils before placing them in the oven.

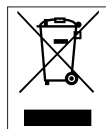


# 1 Important safety and environmental instructions

- Metallic containers for food and beverages are not allowed during microwave cooking. Otherwise, sparking may occur.
- This product is not designed to be built-in. Do not place the product in a cabinet or box while it is in use.

## 1.2 Compliance with the WEEE Directive and Disposing of the Waste Product:

This product complies with EU WEEE Directive (2012/19/EU). This product bears a classification symbol for waste electrical and electronic equipment (WEEE).



This symbol indicates that this product shall not be disposed with other household wastes at the end of its service life. Used device must be returned to official collection point for recycling of electrical and electronic devices. To find these collection systems please contact to your local authorities or retailer where the product was purchased. Each household performs important role in recovering and recycling of old appliance. Appropriate disposal of used appliance helps prevent potential negative consequences for the environment and human health.

## 1.3 Compliance with RoHS Directive

The product you have purchased complies with EU RoHS Directive (2011/65/EU). It does not contain harmful and prohibited materials specified in the Directive.

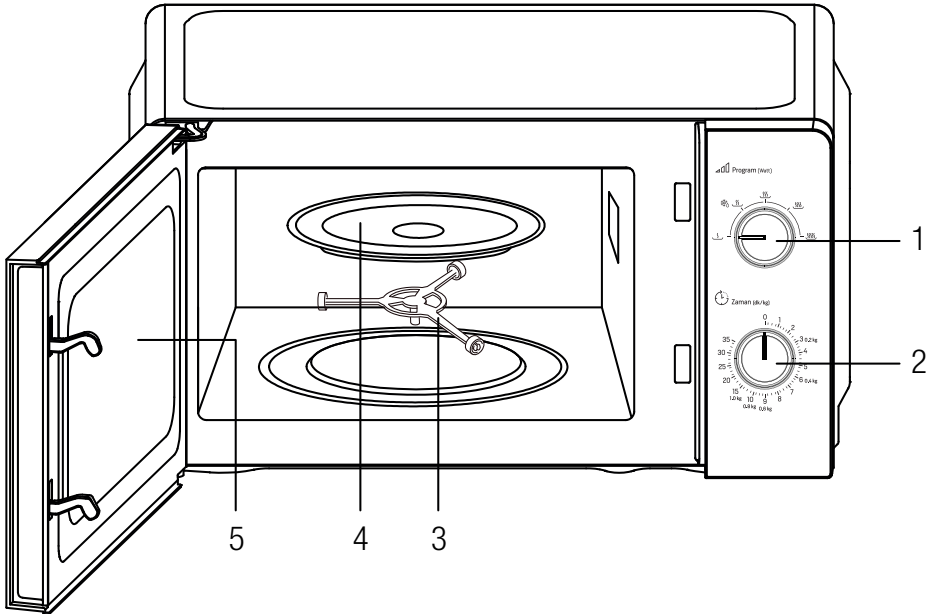
## 1.4 Package information



Packaging materials of the product are manufactured from recyclable materials in accordance with our National Environment Regulations. Do not dispose of the packaging materials together with the domestic or other wastes. Take them to the packaging material collection points designated by the local authorities.

## 2 Your microwave oven

### 2.1 Overview



### Controls and parts

1. Power knob
2. Timer knob
3. Turntable support
4. Glass tray
5. Oven window

### 2.2 Technical data

	MD 201 S	MD 201 B
<b>Rated Voltage</b>	230V~, 50Hz	
<b>Rated Input (Microwave)</b>	1050W	
<b>Rated Output (Microwave)</b>	700W	
<b>Microwave frequency</b>	2450MHz	
<b>Microwave power level</b>	5 levels	
<b>Outside dimensions (H*W*D) mm</b>	243*446*340 mm	
<b>Glass turntable</b>	255 mm	
<b>Oven capacity</b>	20 L	
<b>Net weight</b>	10,7 kg	
<b>Color</b>	Black	White

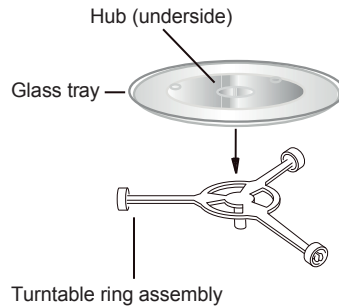
Technical and design modification rights are reserved.

Markings on the appliance or the values stated in other documents supplied with the product are values obtained under laboratory conditions as per relevant standards. These values may vary according to the usage of the appliance and ambient conditions.

## 2 Your microwave oven

### 2.3 Installing the turntable

- Never place the glass tray upside down. The glass tray should never be restricted.
- Both glass tray and turntable support must always be used during cooking.
- All food and containers of food must always place on the glass tray for cooking.
- If glass tray or turntable support crack or break, contact your nearest authorized service center.



## 3 Installation and connection

### 3.1 Installation

1. Make sure that all the packing materials are removed from the inside of the door.



**WARNING:** Check the oven for any damage, such as misaligned or bent door, damaged door seals and sealing surface, broken or loose door hinges and latches and dents inside the cavity or on the door. If there is any damage, do not operate the oven and contact qualified service personnel.

2. This microwave oven must be placed on a flat, stable surface to hold its weight and the heaviest food likely to be cooked in the oven.
3. Do not place the oven where heat, moisture, or high humidity are generated, or near combustible materials.
4. For correct operation, the oven must have sufficient airflow. Allow 20 cm of space above the oven, 10 cm at back and 5 cm at both sides. Do not cover or block any openings on the appliance. Do not remove feet.
5. Do not operate the oven without glass tray, roller support, and shaft in their proper positions.

6. Make sure that the power supply cord is undamaged and does not run under the oven or over any hot or sharp surface.
7. The socket must be readily accessible so that it can be easily unplugged in an emergency.
8. Do not use the oven outdoors.

### 3.2 Radio interference

Operation of the microwave oven can cause interference to your radio, TV, or similar equipment.

When there is interference, it may be reduced or eliminated by taking the following measures:

1. Clean door and sealing surface of the oven.
2. Reorient the receiving antenna of radio or television.
3. Relocate the microwave oven with respect to the receiver.
4. Move the microwave oven away from the receiver.
5. Plug the microwave oven into a different outlet so that microwave oven and receiver are on different branch circuits.

## 3 Installation and connection

### 3.3 Microwave cooking principles

1. Arrange food carefully. Place thickest areas towards outside of dish.
2. Watch cooking time. Cook for the shortest amount of time indicated and add more as needed. Food severely overcooked can smoke or ignite.
3. Cover foods while cooking. Covers prevent spattering and help foods to cook evenly.
4. Turn foods over once during microwave cooking to speed cooking of such foods as chicken and hamburgers. Large items like roasts must be turned over at least once.
5. Rearrange foods such as meatballs halfway through cooking both from top to bottom and from the center of the dish to the outside.

### 3.4 Grounding instructions

This appliance must be grounded. This oven is equipped with a cord having a grounding wire with a grounding plug. It must be plugged into a wall receptacle that is properly installed and grounded. In the event of an electrical short circuit, grounding reduces risk of electric shock by providing an escape wire for the electric current. It is recommended that a separate circuit serving only the oven be provided. Using a high voltage is dangerous and may result in a fire or other accident causing oven damage.



**WARNING:** Improper use of the grounding plug can result in a risk of electric shock.



If you have any questions about the grounding or electrical instructions, consult a qualified electrician or service person.



Neither the manufacturer nor the dealer can accept any liability for damage to the oven or personal injury resulting from failure to observe the electrical connection procedures.

The wires in this cable main are colored in accordance with the following code:

**Green and Yellow = EARTH**

**Blue = NEUTRAL**

**Brown = LIVE**

### 3.5 Utensils guide

1. Microwave cannot penetrate metal. Only use utensils that are suitable for use in microwave ovens. Metallic containers for food and beverages are not allowed during microwave cooking. This requirement is not applicable if the manufacturer specifies size and shape of metallic containers suitable for microwave cooking.
2. Microwave cannot penetrate metal, so metal utensils or dishes with metallic trim should not be used.
3. Do not use recycled paper products when microwave cooking, as they may contain small metal fragments which may cause sparks and/or fires.
4. Round /oval dishes rather than square/oblong ones are recommend, as food in corners tends to overcook.
5. Narrow strips of aluminum foil may be used to prevent overcooking of exposed areas. But be careful don't use too much and keep a distance of 1 inch (2.54 cm) between foil and cavity.

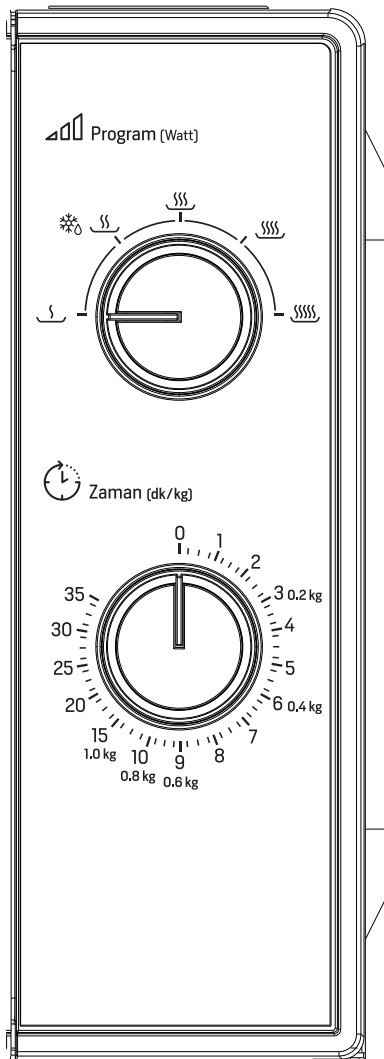
### 3 Installation and connection

The list below is a general guide to help you select the correct utensils.

<b>Cookware</b>	<b>Microwave</b>
Heat-Resistant Glass	Yes
Non Heat-Resistant Glass	No
Heat-Resistant Ceramics	Yes
Microwave-Safe Plastic Dish	Yes
Kitchen Paper	Yes
Metal Tray	No
Metal Rack	No
Aluminum Foil & Foil Containers	No

## 4 Operation

### 4.1 Control panel



The control panel consists of two function operators. One is a timer knob, and another a power knob.

#### Power knob

You use this power knob to choose a cooking power level. It is the first step to start a cooking session.

#### Timer knob

Offer visual timing settings at easy turn of your thumb to select a desired cooking time up to 35 minutes per cooking session.

#### Microwave cooking

For pure microwave cooking, there are five power levels from which to choose one as best fit to do the job at hand.

Power level increases with the knob turning clockwise. The power levels can be classified as the following:

	Power output	Description
1	100%	High
2	77%	M. High
3	55%	Med
4	33%	M. Low (Defrost)
5	17%	Low

### 4.2 Operation

To start a cooking session,

1. Place food in oven and close the door.
2. Turn power knob (1) to select a power level.
3. Use timer knob (2) to set a cooking time or weight.



As soon as the timer is turned, oven starts cooking. When selecting time for less than 2 minutes, turn timer past 2 minutes and then return to the correct time.



**CAUTION:** Always return timer back to zero position if food is removed from oven before the set cooking time is complete or when oven is not in use. To stop oven during cooking process, push the door release button or open the door by the handle.

## 5 Cleaning and care

### 5.1 Cleaning and care



**WARNING:** Never use gasoline, solvent, abrasive cleaning agents, metal objects or hard brushes to clean the appliance.



**WARNING:** Never immerse the appliance or its power cable in water or in any other liquid.

1. Turn off the oven and remove the power plug from the wall socket before cleaning.
2. Keep the inside of the oven clean. When food splatters or spilled liquids adhere to oven walls, wipe with a damp cloth. Mild detergent may be used if the oven gets very dirty. Avoid the use of spray and other harsh cleaners as they may stain, streak or dull the door surface.
3. The outside surfaces should be cleaned with a damp cloth. To prevent damage to the operating parts inside the oven, water should not be allowed to seep into the ventilation openings.
4. Wipe the door and window on both sides, the door seals and adjacent parts frequently with a damp cloth to remove any spills or splatters. Do not use abrasive cleaner.
5. A steam cleaner is not be used.
6. Do not allow the control panel to become wet. Clean with a soft, damp cloth. When cleaning the control panel, leave oven door open to prevent oven from accidentally turning on.
7. If steam accumulates inside or around the outside of the oven door, wipe with a soft cloth. This may occur when the microwave oven is operated under high humidity condition. And it is normal.
8. It is occasionally necessary to remove the glass tray for cleaning. Wash the tray in warm sudsy water or in a dishwasher.
9. The roller ring and oven floor should be cleaned regularly to avoid excessive noise. Simply wipe the bottom surface of the oven with mild detergent. The roller ring may be washed in mild sudsy water or dishwasher. When removing the roller ring from cavity floor for cleaning, be sure to replace in the proper position.
10. Remove odors from your oven by combining a cup of water with the juice and skin of one lemon in a deep microwaveable bowl, microwave for 5 minutes. Wipe thoroughly and dry with a soft cloth.
11. When it becomes necessary to replace the oven light, please consult a dealer to have it replaced.
12. The oven should be cleaned regularly and any food deposits removed. Failure to maintain the oven in a clean condition could lead to deterioration of the surface that could adversely affect the life of the appliance and possibly result in a hazardous.
13. Please do not dispose this appliance into the domestic rubbish bin; it should be disposed to the particular disposal center provided by the municipalities

### 5.2 Storage

If you do not intend to use the appliance for a long time, store it carefully.

- Before lifting the appliance unplug it and then let it cool completely.
- Empty the water reservoir.
- Keep the appliance and its accessories in their original packages.
- Store it in a cool, dry place.
- Always keep the appliance out of the reach of children.

## 5 Cleaning and care

### 5.3 Handling and transportation

- During handling and transportation, carry the appliance in its original packaging. The packaging of the appliance protects it against physical damages.
- Do not place heavy loads on the appliance or the packaging. The appliance may be damaged.
- Dropping the appliance will render it non-operational or cause permanent damage.

## 6 Troubleshooting

Problem	Possible solution
If the oven fails to operate	Check to ensure that the oven is plugged in securely. If it is not, remove the plug from the outlet, wait 10 seconds, and plug it in again securely.
	Check for a blown circuit fuse or a tripped main circuit breaker. If these seem to be operating properly, test the outlet with another appliance.
	Check to ensure that the control panel is programmed correctly and the timer is set.
	Check to ensure that the door is securely closed engaging the door safety lock system. Otherwise, the microwave energy will not flow into the oven.
If none of the above rectifies the situation, then contact a qualified technician. Do not try to adjust or repair the oven yourself.	



## Lütfen önce bu kılavuzu okuyun!





Değerli Müşterimiz,

Arçelik ürününü tercih ettiğiniz için teşekkür ederiz. Yüksek kalite ve teknoloji ile üretilmiş olan ürününüzün size en iyi verimi sunmasını istiyoruz. Bunun için, bu kılavuzun tamamını ve verilen diğer belgeleri ürünü kullanmadan önce dikkatle okuyun ve bir başvuru kaynağı olarak saklayın. Ürünü başka birisine vererseniz, kullanma kılavuzunu da birlikte verin. Kullanma kılavuzunda belirtilen tüm bilgi ve uyarıları dikkate alarak talimatlara uyun.

Bu kullanma kılavuzunun başka modeller için de geçerli olabileceğini unutmayın. Modeller arasındaki farklar kılavuzda açık bir şekilde belirtilmiştir.

### Sembollerin anlamları

Bu kullanma kılavuzunun çeşitli kısımlarında aşağıdaki semboller kullanılmıştır:

	Cihazın kullanımıyla ilgili önemli bilgiler ve faydalı tavsiyeler.
	<b>UYARI:</b> Can ve mal güvenliğiyle ilgili tehlikeli durumlar konusunda uyarılar.
	Elektrik çarpması uyarısı.
	Sıcak yüzeylerle ilgili uyarı.



**GERİ DÖNÜŞTÜRÜLMÜŞ &  
GERİ DÖNÜŞTÜRÜLEBİLİR  
KAĞIT**

Bu ürün çevreye saygılı modern tesislerde doğaya zarar vermeden üretilmiştir.

# İÇİNDEKİLER

<b>1 Önemli güvenlik ve çevre talimatları</b>	<b>19</b>
1.1 Güvenlik uyarıları .....	19
1.2 AEEE Yönetmeliğine Uyum ve Atık Ürünün Elden Çıkarılması .....	24
1.3 Ambalaj bilgisi .....	24
1.4 Enerji tasarrufu için yapılması gerekenler .....	24
<b>2 Mikrodalga fırınınız</b>	<b>25</b>
2.1 Genel bakış .....	25
2.2 Teknik veriler .....	25
2.3 Döner tabla montajı.....	26
<b>3 Kurulum ve bağlantı</b>	<b>26</b>
3.1 Kurulum .....	26
3.2 Radyo paraziti .....	26
3.3 Mikrodalga pişirme esasları .....	27
3.4 Topraklama talimatları .....	27
3.5 Pişirme gereçleri kılavuzu .....	27
<b>4 Kullanım</b>	<b>29</b>
4.1 Kumanda panosu .....	29
4.2 Çalışma.....	29
<b>5 Temizlik</b>	<b>30</b>
5.1 Temizlik ve bakım.....	30
5.2 Saklama .....	30
5.3 Taşıma ve nakliye.....	30
<b>6 Sorun giderme</b>	<b>31</b>
<b>7 Tüketici hizmetleri</b>	<b>32</b>

# 1 Önemli güvenlik ve çevre talimatları

## Önemli Güvenlik Talimatları Dikkatle Okuyun ve Daha Sonra Başvurmak Üzere Saklayın.

### 1.1 Güvenlik uyarıları

Bu bölümde, yangın, elektrik çarpması, mikrodalga enerjisi kaçağı, yaralanma ya da maddi hasar tehlikelerini önlemeye yardımcı olacak güvenlik talimatları yer almaktadır. Bu talimatlara uyulmaması halinde her türlü garanti geçersiz hale gelir.

- Arçelik ürünleri geçerli güvenlik standartlarıyla uyumludur. Bu nedenle ürün veya elektrik kablolu hasar görürse, tehlikeleri önlemek için bayi, servis merkezi veya uzman ve yetkili bir servis tarafından onarılmalı ya da değiştirilmelidir. Hatalı veya yetersiz onarım işlemleri, kullanıcı için tehlike ve risk oluşturabilir.
- Bu ürün ticari kullanım için tasarlanmamıştır, evde ve aşağıdakiler gibi uygulamalarda kullanılmak üzere tasarlanmıştır:

- Dükkanların, ofislerin ve diğer çalışma ortamlarının personel mutfaklarında;
- Çiftlik evlerinde;
- Otel, motel ve diğer konaklama mekânlarında müşteriler tarafından;
- Pansiyon türü mekanlarda.
- Endüstriyel kullanım veya laboratuvarında kullanım için tasarlanmamıştır.
- Ürünü kapağı açıkken çalıştırmayı denemeyin; aksi takdirde zararlı mikrodalga enerjisine maruz kalabilirsiniz. Güvenlik kilitlerine müdahale edilmemeli veya bu kilitler devre dışı bırakılmamalıdır.
- Mikrodalga fırın yiyecek ve içeceklerin ısıtılması içindir. Isıtma pedleri, süngerler, ıslak bezler ve benzeri eşyaların kurutulması veya ısıtılması yaralanma riskine, tutuşmaya veya yangına neden olabilir.

# 1 Önemli güvenlik ve çevre talimatları

- Ürünün ön kısmı ile kapağı arasına herhangi bir cisim koymayın. Kapanma yüzeylerinde kir veya temizlik maddesi kalıntıları birikmesine izin vermeyin.
- Mikrodalga enerjisine maruz kalmaya karşı koruma sağlayan kapağın çıkarılmasını içeren tüm bakım işlemleri yetkili kişiler/ servis tarafından gerçekleştirilmelidir. Diğer tüm yaklaşımlar tehlikelidir.
- Ürününüz evde yiyeceklerin pişirilmesi, ısıtılması ve buzunun çözülmesi için tasarlanmıştır.
- Ürününüz canlı varlıkları kurutmak için tasarlanmamıştır.
- Ürününüzü, elbiseleri veya mutfak havlularını kurutmak için kullanmayın.
- Bu ürünü açık havada, banyolarda veya nemli ortamlarda ya da ıslanabileceği yerlerde kullanmayın.
- Ürününüzün yanlış veya hatalı kullanılmasından kaynaklanan hasarlar için herhangi bir sorumluluk veya garanti talebi kabul edilmeyecektir.
- Asla ürünü sökmeye çalışmayın. Hatalı kullanımın neden olduğu hasar için hiçbir garanti talebi kabul edilmez.
- Yalnızca orijinal parçaları veya üretici tarafından önerilen parçaları kullanın.
- Kullanımda olduğu zaman bu ürünün yanından ayrılmayın.
- Ürünü daima dengeli, düz, temiz, kuru ve kaymayan bir yüzey üzerinde kullanın.
- Bu ürünü harici bir zamanlayıcı veya ayrı bir uzaktan kumanda sistemiyle kullanmayın.
- Ürünü ilk kez kullanmadan önce tüm parçalarını temizleyin. Lütfen “Temizlik ve bakım” bölümündeki bilgileri okuyun.
- Ürünü yalnızca bu kılavuzda açıklanan kullanım amacı doğrultusunda çalıştırın.
- Ürün kullanım sırasında çok ısınabilir. Ürünün içindeki sıcak parçalara dokunmamaya dikkat edin.
- Mikrodalga ürünü boşken çalıştırmayın.

# 1 Önemli güvenlik ve çevre talimatları

- Pişirme kapları, ısıtılan yemekten kaba ısı aktarılması nedeniyle ısınır. Tüm kapları mikrodalgadan çıkartırken fırın eldiveni kullanın ve dikkatli olun.
- Kaplar, mikrodalga fırına uygun olduklarından emin olmak için kontrol edilmelidir.
- Mikrodalga ürünü, ocak gözlerinin veya diğer ısı üreten cihazların üzerine yerleştirmeyin. Aksi takdirde, hasar görebilir ve garanti geçersiz hale gelebilir.
- Buhar oluşacağı için gıda paketlerinin kapaklarını çıkarmadan önce dikkatli olun.
- Tüm ürün yüzeyleri ürün kullanımında iken çok ısınabilir.
- Kapak ve dış cam, ürün kullanımdayken çok sıcak olabilir.
- Şebeke güç kaynağınızın, ürün etiketinde belirtilen bilgilere uygun olduğundan emin olun.
- Ürünü güç kaynağından ayırmının tek yolu elektrik fişini prizden çekmektir.
- Ürünü yalnızca topraklı bir prize kullanın.
- Elektrik kablosu veya ürün hasarlıysa ürünü asla kullanmayın.
- Bu ürünü uzatma kablosuyla kullanmayın.
- Elleriniz nemli veya ıslakken ürüne veya fişine asla dokunmayın.
- Ürünü, elektrik fişine her zaman ulaşılabilir şekilde yerleştirin.
- Elektrik kablosunun hasar görmesini önlemek için sıkışmasını, kıvrılmasını veya keskin kenarlara sürtünmesini engelleyin. Elektrik kablosunu sıcak yüzeylerden ve çıplak alevden uzak tutun.
- Ürünün kullanımı esnasında elektrik kablosunun yanlışlıkla çekilmesi veya birinin kabloya takılma tehlikesinin olmadığından emin olun.
- Ürünü temizlemeden önce her zaman prizden çekin ve ürün kullanımdayken asla temizlik yapmayın.
- Elektrik kablosunu güç kaynağından çıkarmak için kablosundan veya üründen çekmeyin ve kabloyu asla ürünün etrafına sarmayın.

# 1 Önemli güvenlik ve çevre talimatları

- Ürünü, elektrik kablosunu veya elektrik fişini suya ya da diğer sıvılara batırmayın. Suyun altına tutmayın.
- Plastik veya kağıt kaplardaki yiyecekleri ısıtırken, tutuşma olasılığına karşı ürünü gözetim altında tutun.
- Kağıt veya plastik torbaları fırına koymadan önce tel iplerini ve/veya metal kollarını çıkarın.
- Duman çıktığı gözlemlenirse, güvenli ise ürünü kapatın veya fişini çekin ve varsa alevin havasız kalarak sönmelerini sağlamak için kapağını kapalı tutun.
- Mikrodalga ürünü herhangi bir şey saklamak için kullanmayın. Kağıt eşyaları, pişirme materyallerini veya yiyecekleri, kullanımda değilken ürünün içinde bırakmayın.
- Biberonların ve bebek maması kavanozlarının içindekiler, yamalarını önlemek için tüketilmeden önce karıştırılmalı, sallanmalı ve sıcaklıkları kontrol edilmelidir.
- Bu ürün bir Grup 2 Sınıf B ISM ekipmanıdır. Grup 2, radyo-frekans enerjisinin bilerek üretildiği ve/veya elektromanyetik radyasyon formunda kullanıldığı tüm ISM (Endüstriyel, Bilimsel ve Tıbbi) ekipmanlarını ve kısıtlama ile aşındırma ekipmanlarını içermektedir.
- Sınıf B ekipmanlar, konutlarda ve düşük voltajlı güç kaynağı ağlarına doğrudan bağlantılı tesislerde kullanım için uygundur.
- Üründe pişirme yağı kullanmayın. Sıcak yağ, ürünün bileşenlerine ve malzemelerine zarar verebilir ve hatta cilt yanıklarına yol açabilir.
- Patates, kabak, elma ve kestane gibi kalın kabuklu yiyecekleri delin.
- Ürün, arka tarafı duvara bakacak şekilde yerleştirilmelidir.
- Ürünü taşımadan önce lütfen hasar görmesini önlemek için döner tablayı sabitleyin.

# 1 Önemli güvenlik ve çevre talimatları

- Kabuklu çiğ yumurtalar veya haşlanmış yumurtalar, mikrodalgada yapılan ısıtma işlemi bittikten sonra bile patlama riski olduğu için mikrodalgada ısıtılmamalıdır.

**UYARI:** Kapı veya kapı izolasyon bantları zarar görürse, fırın yetkili bir kişi tarafından onarılanaya kadar çalıştırılmamalıdır.

**UYARI:** Mikrodalga enerjisine karşı koruma sağlayan bir kapağın kaldırılmasını içeren bir servis veya onarım işleminin yetkili bir kimse haricinde yapılması tehlike arz eder.

**UYARI:** Sıvılar ve diğer yiyecekler patlamaya meyilli oldukları için kapalı kaplarda ısıtılmamalıdır.

- Fırın düzenli olarak temizlenmelidir ve yemek artıkları çıkarılmalıdır.
- Ürünün üst yüzeyinin üzerinde en az 20 cm'lik bir boşluk olması gerekir.
- Yiyecekleri aşırı pişirmeyin, yangına yol açabilirsiniz.
- Ürünü temizlemek için kimyasallar ve buhar destekli temizleyiciler kullanmayın.

- Ürün çocukların ve sınırlı fiziksel, duyuusal ya da zihinsel kapasiteye sahip insanların yakınında kullanıldığında son derece dikkatli olunması tavsiye edilir.

• Bu ürün, ürünün güvenli bir şekilde kullanılmasına dair uygun şekilde bilgilendirilmeleri ve ürünün kullanımı ile ilgili riskleri anlamış olmaları konusunda denetim altında tutulmaları kaydıyla, 8 yaşını geçmiş çocuklar da dahil olmak üzere, fiziksel, algısal veya ruhsal yetileri kısıtlı ya da bilgi ve tecrübesi olmayan kişiler tarafından kullanılabilir. Çocuklar ürün ile oynamamalıdır. Temizleme ve kullanıcı bakım işlemleri kendilerine nezaret eden bir büyük olmadığı sürece çocuklar tarafından gerçekleştirilmemelidir.

• **Boğulma tehlikesi!** Tüm ambalaj malzemelerini çocuklardan uzak tutun.

• Izgara ve kombinasyon modlarında aşırı ısı açığa çıktığı için çocukların bu modları kullanımına yalnızca bir yetişkinin gözetimi altında izin verilmelidir.

# 1 Önemli güvenlik ve çevre talimatları

- Ürünü ve elektrik kablosunu 8 yaş altı çocuklar tarafından erişilemeyecek bir yerde tutun.
- Gıdaları direk olarak cam tepsi üzerinde ısıtma ve pişirme işlemi yapmayın. Mikrodalga fırına uygun olduğunu bildiğiniz bir kabın içine koyun.
- Ürününüzde yapacağınız tüm pişirme ve ısıtma işlemleri için kesinlikle metal kaplar kullanmayın. Aksi takdirde kıvılcımlanma meydana gelebilir.
- Bu ürün ankastre olarak tasarlanmamıştır. Ürün çalışır haldeyken dolap veya kutu içerisine koymayınız.

## 1.2 AEEE Yönetmeliğine Uyum ve Atık Ürünün Elden Çıkarılması

Bu ürün T.C. Çevre ve Şehircilik Bakanlığı tarafından yayımlanan “Atık elektrikli ve Elektronik eşyaların Kontrolü Yönetmeliği”nde belirtilen zararlı ve yasaklı maddeleri içermez.



AEEE Yönetmeliğine uygundur. Bu ürün, geri dönüşümlü ve tekrar kullanılabilir nitelikteki yüksek kaliteli parça ve malzemelerden üretilmiştir.

Bu nedenle, ürünü, hizmet ömrünün sonunda evsel veya diğer atıklarla birlikte atmayın. Elektrikli ve elektronik cihazların geri dönüşümü için bir toplama noktasına götürün. Bu toplama noktalarını bölgenizdeki yerel yönetime sorun.

Kullanılmış ürünleri geri kazanıma vererek Çevrenin ve doğal kaynakların korunmasına yardımcı olun.

## 1.3 Ambalaj bilgisi



Ürünün ambalajı, Ulusal Mevzuatımız gereği geri dönüştürülebilir malzemelerden üretilmiştir. Ambalaj atığını evsel veya diğer atıklarla birlikte atmayın, yerel otoritenin belirttiği ambalaj toplama noktalarına atın.

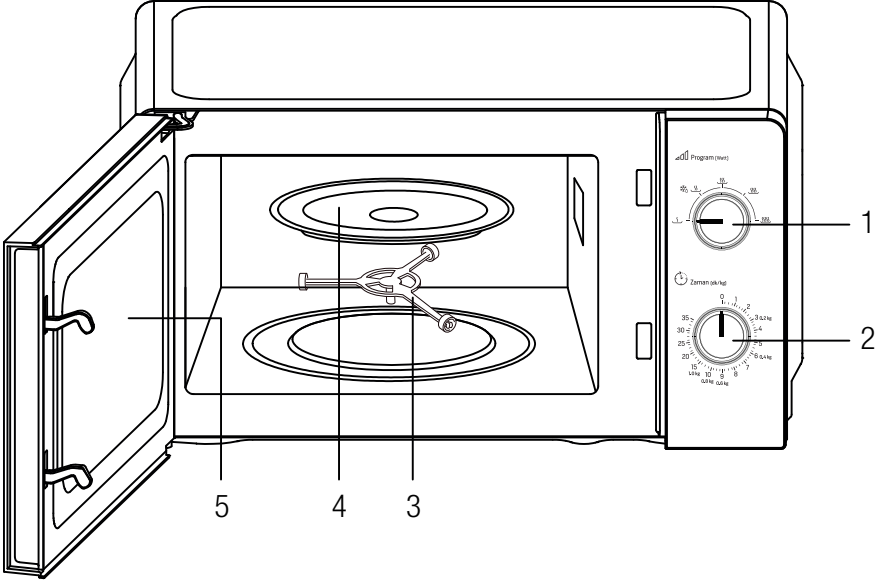
## 1.4 Enerji tasarrufu için yapılması gerekenler

Kullanımdan sonra cihazı kapatın ve fişini prizden çıkarın.



## 2 Mikrodalga fırınınız

### 2.1 Genel bakış



#### Kontrol ve parçalar

1. Güç düğmesi
2. Zamanlayıcı düğmesi
3. Cam tepsi desteği
4. Cam tepsi
5. Fırın kapağı

### 2.2 Teknik veriler

	MD 201 S	MD 201 B
<b>Gerilim</b>	230V~, 50Hz	
<b>Mikrodalga giriş gücü</b>	1050W	
<b>Mikrodalga çıkış gücü</b>	700 W	
<b>Mikrodalga frekansı</b>	2450 MHz	
<b>Mikrodalga güç seviyesi</b>	5 seviye	
<b>Dış ölçüler (H*W*D)</b>	243*446*340 mm	
<b>Cam tepsi çapı</b>	255 mm	
<b>Fırın kapasitesi</b>	20 L	
<b>Net ağırlık</b>	10,7 kg	
<b>Renk</b>	Siyah	Beyaz

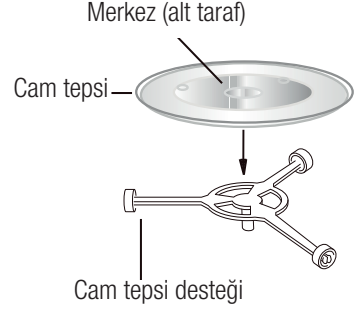
Teknik ve tasarım modifikasyon hakları saklıdır.

Ürün üzerindeki işaretler veya ürün ile gelen diğer belgelerde belirtilen değerler ilgili standartlar doğrultusunda laboratuvar koşullarında elde edilmiştir. Bu değerler cihazın kullanımına ve ortam koşullarına göre değişebilir.

## 2 Mikrodalga fırınınız

### 2.3 Döner tabla montajı

- Asla cam tepsiyi baş aşağı yerleştirmeyin. Cam tepsi asla sıkışmamalıdır.
- Hem cam tepsi, hem de cam tepsi desteği pişirme sırasında her zaman kullanılmalıdır.
- Tüm yiyecekler ve yiyecek kapları her zaman cam tepsinin üzerine yerleştirilmelidir.
- Eğer cam tepsi veya cam tepsi desteği çatlak veya kırılırsa, en yakın yetkili servis merkezine başvurun.



## 3 Kurulum ve bağlantı

### 3.1 Kurulum

1. Kapağın iç kısmındaki tüm ambalaj malzemelerini sökün.



**UYARI:** Fırını hasara karşı inceleyin; kapağın yanlış ayarlanmış veya eğilmiş olup olmadığını, kapak contalarının ve sızdırmazlık yüzeyinin hasar görüp görmediğini, fırın boşluğu içerisindeki veya kapıdaki menteşelerin ve mandalların kırık/gevşek olup olmadığını kontrol edin. Hasar varsa fırını çalıştırmayın, kalifiye servis personeliyle iletişime geçin.

2. Mikrodalga fırın, kendi ağırlığını ve fırında pişirebilecek en ağır yiyeceğin ağırlığını kaldırabilecek düz, dengeli bir yüzeye yerleştirilmelidir.
3. Fırını ısı, nem ya da rutubet olan yerlere ve yanıcı maddelerin yakınına koymayın.
4. Fırının düzgün çalışabilmesi için yeterli hava akışı sağlanmalıdır. Fırının üst kısmında 20 cm, arkasında 10 cm ve iki yanında 5'er cm boşluk olmasına dikkat edin. Ürünün hiçbir açıklığını kapatmayın/örtmeyin. Ürünün ayaklarını sök-meyin.

5. Cam tepsi, yuvarlak destek ve mil yerinde değil-se fırını çalıştırmayın.
6. Elektrik kablosunun hasarsız olduğundan ve fırının altından veya sıcak ya da keskin bir yüzeyden geçmediğinden emin olun.
7. Acil durumlarda ürünün fişinin kolaylıkla çekilebilmesi için priz kolay erişilebilir bir yerde olmalıdır.
8. Fırını açık alanlarda kullanmayın.

### 3.2 Radyo paraziti

Mikrodalga fırının çalışması radyoda, TV'de ve benzeri ekipmanlarda parazite neden olabilir.

Parazit, aşağıdaki önlemler alınarak azaltılabilir veya tamamen ortadan kaldırılabilir:

1. Fırının kapağını ve sızdırmazlık yüzeyini temizleyin.
2. Radyonun veya televizyonun alıcı anteninin yönünü değiştirin.
3. Mikrodalga fırının yerini alıcıya göre değiştirin.
4. Mikrodalga fırını alıcıdan uzaklaştırın.
5. Mikrodalga fırının fişini, alıcıyla farklı devre parçalarında olacağı farklı bir prize takın.

## 3 Kurulum ve bağlantı

### 3.3 Mikrodalga pişirme esasları

1. Yiyecekleri dikkatli bir şekilde yerleştirin. En kalın kısımları kabın dışına doğru koyun.
2. Pişirme süresine dikkat edin. Belirtilen en kısa süre boyunca pişirme yapın, gerekirse süreyi artırın. Çok fazla pişirilen yiyeceklerden duman çıkabilir veya bu yiyecekler tutuşabilir.
3. Pişirme sırasında yiyeceklerin üstünü kapatın. Böylelikle sıçramayı önlemiş ve yiyeceğin eşit pişmesini sağlamış olursunuz.
4. Tavuk ve hamburger gibi yiyeceklerin pişirme sürecini hızlandırmak için bu yiyecekleri mikrodalga pişirme işlemi süresince bir kez çevirin. Rosto gibi büyük yiyecekler en az bir kez çevrilmelidir.
5. Köfte gibi yiyeceklerde, pişirme işleminin yarısından itibaren hem üsttekilerle alttakilerin, hem de kabın iç kısmındakilerle dış kısmındakilerin yerini değiştirin.

### 3.4 Topraklama talimatları

Bu cihaz mutlaka topraklanmalıdır. Bu fırın, topraklama fişli bir topraklama teline sahip bir kabloyla donatılmıştır. Uygun şekilde kurulup topraklanmış bir prize takılmalıdır. Topraklama, bir kısa devre olması durumunda, elektrik akımının bir kablo üzerinden kaçmasını sağladığından elektrik çarpması riskini azaltır. Yalnızca fırına ait ayrı bir devre kullanılması önerilir. Yüksek voltaj kullanımı tehlikelidir ve yangına ya da fırının hasar göreceği başka türlü kazalara neden olabilir.



**UYARI:** Topraklama fişinin uygunsuz kullanımı elektrik çarpması riski doğurabilir.



Topraklama ya da elektrik talimatları hakkında sorunuz varsa ehliyetli bir elektrikçiye ya da servis görevlisine danışın.



Üretici ve satıcı, elektrik bağlantısı prosedürlerine uyulmaması sonucu meydana gelen ürün hasarları ve yaralanmalar için sorumluluk kabul etmemektedir.

Bu ana kablodaki teller aşağıdaki koda göre renklendirilmiştir:

**Yeşil ve Sarı = TOPRAK**

**Mavi = NÖTR**

**Kahverengi = AKIMLI**

### 3.5 Pişirme gereçleri kılavuzu

1. Mikrodalga, metallerden geçemez. Yalnızca mikrodalga fırınlar için uygun olan gereçleri kullanın. Yiyecek ve içecekler için kullanılan metal kaplara, mikrodalga pişirme sırasında izin verilmez. Üretici, mikrodalga pişirmeye uygun metal kapların boyutunu ve şeklini belirtmişse bu kural geçerli değildir.
2. Mikrodalga metalden geçemez. Bu nedenle, metal gereçler ve metalik işlemeli kaplar kullanılmamalıdır.
3. Mikrodalga pişirme sırasında, geri dönüştürülmüş kağıt ürünler kullanmayın. Bu ürünler, kıvılcımlanmaya ve/veya yangına neden olabilecek küçük metal parçacıklar içerebilir.
4. Köşeli kaplarda yiyeceğin köşe bölümleri çok piştiği için kare/dikdörtgen kaplardan ziyade yuvarlak/oval kaplar kullanılması önerilir.
5. Yiyeceğin açıkta kalan kısımlarının çok pişmesini önlemek için alüminyum folyodan yapılmış ince şeritler kullanılabilir. Ancak, bu şeritlerden çok fazla kullanılmamaya ve folyo ile açıklık arasında 2,54 cm (1 inç) boşluk bırakmaya dikkat edilmelidir.

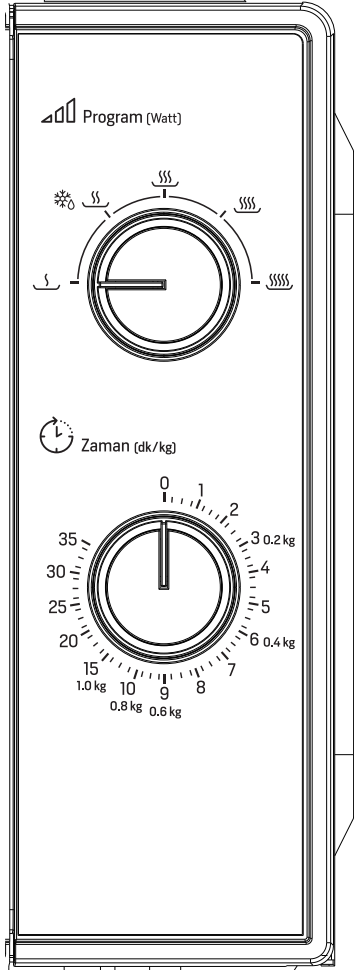
### 3 Kurulum ve bağlantı

Aşağıdaki liste, doğru gereçleri seçmenize yardımcı olacak genel bir kılavuzdur.

<b>Piştirme gereçleri</b>	<b>Mikrodalga</b>
Isiya Dayanıklı Cam	Evet
Isiya Dayanıksız Cam	Hayır
Isiya Dayanıklı Seramik	Evet
Mikrodalgada Kullanılabilir Plastik Kap	Evet
Kağıt Havlu	Evet
Metal Tepsi	Hayır
Metal Raf	Hayır
Alüminyum Folyo ve Folyo Kaplar	Hayır

## 4 Kullanım

### 4.1 Kumanda panosu



Kontrol paneli iki adet işlev operatöründen meydana gelir. Bunlardan biri zamanlayıcı düğmesi, diğeri ise güç düğmesidir.

#### Güç düğmesi

Bu güç düğmesini bir pişirme seviyesi seçmek için kullanabilirsiniz. Bu şekilde bir pişirme seansını başlatmak için ilk adım atılmış olur.

#### Zamanlayıcı düğmesi

Pişirme seansı başına 35 dakikaya kadar seçilebilen pişirme süresini görsel zamanlama ayarı sağlayan bu düğmeyi başparmağınızla kolayca çevirerek ayarlayabilirsiniz.

#### Mikrodalga pişirme

Sadece mikrodalga pişirme için içinden size uygun olanı seçmeniz gereken beş adet güç seviyesi bulunmaktadır. Düğmeyi saat yönünde döndürdükçe güç seviyeleri artar. Güç seviyeleri aşağıda belirtildiği gibi sınıflandırılabilir:

	Güç çıkışı	Açıklama
1	100%	Yüksek
2	77%	Orta Yüksek
3	55%	Orta
4	33%	Orta Düşük (Buz çözme)
5	17%	Düşük

### 4.2 Çalışma

Bir pişirme seansını başlatmak için;

1. yiyeceği fırınının içine koyun ve fırınının kapağını kapatın.
2. Bir güç seviyesi seçmek için güç düğmesini (1) çevirin.
3. Bir pişirme süresini veya ağırlığını ayarlamak için zamanlayıcı düğmesini (2) kullanın.



Zamanlayıcı çevrildiği anda fırınının pişirme işlemine başlar. 2 dakikadan daha az bir süre seçerseniz zamanlayıcıyı önce 2 dakikadan ileriye çevirdikten sonra istenilen süreye getirin.



**DİKKAT:** Yiyeceği pişirme süresi dolmadan fırından çıkardıysanız ve fırını kullanmıyorken zamanlayıcıyı mutlak sıfır konumuna getirin. Pişirme işlemi sırasında fırını durdurmak için kapağı aç düğmesine basın veya fırının kapağını elinizle açın.

## 5 Temizlik

### 5.1 Temizlik ve bakım



**UYARI:** Cihazı temizlemek için kesinlikle benzin, solvent, aşındırıcı temizleyiciler, metal nesnelere veya sert fırçalar kullanmayın.



**UYARI:** Cihazı ya da elektrik kablosunu asla suya ya da diğer sıvılara batırmayın.

1. Temizlik işleminden önce fırını kapatın ve fiş prizden çekin.
2. Fırının içini temiz tutun. Yemeklerde sıçrama olursa veya dökülmüş sıvılar fırının duvarına yapıştırsa nemli bir bezle silin. Fırın çok kirlenirse yumuşak deterjanlar kullanılabilir. Yüzeyde lekelenmeye, çizgilere veya matlaşmaya neden olabileceği için sprey ve diğer sert temizlik maddelerini kullanmaktan kaçının.
3. Dış yüzeyler nemli bir bezle temizlenmelidir. Fırının iç kısmındaki çalışan parçalara zarar verilmesini engellemek için, suyun havalandırma deliklerine sızmasına izin verilmemelidir.
4. Kapağın ve camın her iki tarafını, kapak contalarını ve bunların yanındaki parçaları sık sık nemli bir bezle silerek dökülen ve sıçrayan yemekleri temizleyin. Aşındırıcı temizlik ürünleri kullanmayın.
5. Buharlı temizleyiciler kullanılmamalıdır.
6. Kontrol panelinin ıslanmasına izin vermeyin. Yumuşak, nemli bir bezle temizleyin. Kontrol panelini temizlerken, fırının yanlışlıkla açılmasını önlemek için fırın kapağını açık bırakın.
7. Fırının kapağının içerisinde veya dış yüzeylerinde buhar birikirse yumuşak bir bezle silin. Bu, mikrodalga fırın yüksek nemli koşullar altında çalıştırılırsa gerçekleşebilir. Bu durum normaldir.
8. Bazen temizlik yapmak için cam tepsiyi çıkarmak gerekir. Tepsiyi ılık sabunlu suda veya bulaşık makinesinde yıkayın.
9. Aşırı gürültü olmaması için destek halkası ve fırın zemini düzenli olarak temizlenmelidir.

Fırının alt yüzeyini yumuşak bir deterjanla silin. Destek halkası ılık, sabunlu suda veya bulaşık makinesinde yıkanabilir. Destek halkasını temizlik için fırın boşluğunun zemininden çıkardıktan sonra mutlaka tekrar yerine takmalısınız.

10. Bir bardak su ile bir limonun suyunu ve kabuğunu derin bir mikrodalga kasesinde karıştırıp mikrodalga fırında 5 dakika ısıtarak fırınınızdaki kötü kokuları giderebilirsiniz. İyice silip yumuşak bir bezle kurulayın.
11. Fırın ışığının değiştirilmesi gerekiyorsa lütfen bir bayiye başvurun.
12. Fırın düzenli olarak temizlenmelidir ve yemek artıkları çıkarılmalıdır. Fırının temiz tutulmaması yüzeyin bozulmasına neden olabilir. Bu da, cihazın kullanım ömrünü olumsuz etkileyip tehlikeli durumlara sebebiyet verebilir.
13. Bu cihazı evsel atıklarınızı attığınız çöp kutusuna atmayın. Bu cihaz, belediyeler tarafından belirlenen özel imha merkezlerine götürülmelidir.

### 5.2 Saklama

Cihazı uzun süre kullanmayı düşünmüyorsanız lütfen dikkatli bir şekilde saklayın.

- Cihazı kaldırmadan önce fişini çekin ve tamamen soğumasını bekleyin.
- Cihazı ve aksesuarlarını orijinal ambalajlarında saklayın.
- Serin ve kuru bir yerde saklayın.
- Cihazı her zaman çocukların ulaşamayacağı bir yerde muhafaza edin.

### 5.3 Taşıma ve nakliye

- Taşıma ve nakliye sırasında cihazı orijinal ambalajında taşıyın. Ambalaj, cihazı fiziksel hasarlara karşı korur.
- Cihazın veya ambalajın üzerine ağır yükler koymayın. Cihaz hasar görebilir.
- Cihazın düşürülmesi arızalanmaya veya kalıcı hasara neden olur.

## 6 Sorun giderme

Sorun	Muhtemel çözüm
Fırın çalışmıyorsa	Fırının fişinin tam olarak takılı olup olmadığını kontrol edin. Takılı değilse fişi prizden çekin, 10 saniye bekleyin ve tekrar takın.
	Patlamış bir sigorta veya atmış ana devre kesici olup olmadığını kontrol edin. Bunlar doğru çalışıyor gibi görünüyorsa prize başka bir cihaz takarak prizi kontrol edin.
	Kontrol panelinin doğru ayarlanıp ayarlanmadığını ve zamanlayıcının kurulup kurulmadığını kontrol edin.
	Kapağın iyice kapalı olup olmadığına bakın, kapak güvenlik kilidi sistemini etkinleştirin. Aksi takdirde, mikrodalga enerjisi fırına iletilmez.
Yukarıdaki işlemler yaşadığınız sorunu düzeltmiyorsa kalifiye bir teknisyenle iletişime geçin. Fırını kendiniz ayarlamaya veya onarmaya çalışmayın.	

# 7 Tüketici hizmetleri

## Müşteri Hizmetleri

### Müşteri Memnuniyeti Politikası

- Müşterilerimizin istek ve önerilerini her kanaldan karşılamaktan mutluluk duyarız.

#### Kanallarımız:

\* Çağrı Merkezimiz: 0850 210 0 888

(Sabit telefonlardan veya cep telefonlarından alan kodu çevirmeden arayın\*)

\* Diğer Numaramız: 0216 585 8 888

- Çağrı Merkezimiz haftanın 7 günü 24 saat hizmet vermektedir.

- Çağrı Merkezimiz ile yaptığınız görüşmeler iletişim hizmeti aldığınız operatör firma tarafından sizin için tanımlanan tarifeye göre ücretlendirilir.

- Sabit veya cep telefonlarınızdan alan kodu tuşlamadan çağrı merkezi numaramızı arayarak ürününüz ile ilgili arzu ettiğiniz hizmeti talep edebilirsiniz.

\* Whatsapp Numaramız: 0544 444 0 888

\* Faks Numaramız: 0216-423-2353

\* Web Adresimiz:

- [www.arcelik.com.tr](http://www.arcelik.com.tr)

\* e-posta Adresimiz:

- [musteri.hizmetleri@arcelik.com.tr](mailto:musteri.hizmetleri@arcelik.com.tr)

\* Sosyal Medya Hesaplarımız:

- <https://www.instagram.com/arcelik/>

- <https://twitter.com/arcelik>

- <https://www.facebook.com/arcelik/>

- <https://www.youtube.com/user/tvarcelik>

\* Posta Adresimiz:

- Arçelik A.Ş. Karaağaç Caddesi No:2-6,  
34445, Sütlüce / İSTANBUL

\* Bayilerimiz,

- <https://www.arcelik.com.tr/arcelik-bayileri>

\* Yetkili Servislerimiz,

- <https://www.arcelik.com.tr/yetkili-servisler>

- Tüm yetkili servis istasyonu bilgilerimiz, Ticaret Bakanlığı tarafından oluşturulan "Servis Bilgi Sistemi"nde ([www.servis.gov.tr](http://www.servis.gov.tr)) yer almaktadır.

- Yedek parça malzemeleri yetkili servislerimizden temin edilebilir.

- Müşterilerimizden iletilen istek ve önerilerin Arçelik'e ulaştığı bilgisini, müşteri profili ayrımı yapılmaksızın kendilerine 24 saat içinde veririz.

- Müşteri Hizmetleri sürecimiz:

Müşterilerimizin istek ve önerilerini;

\* **İzlenebilir, raporlanabilir, şeffaf ve güvenli tek bir bilgi havuzunda toplarız.**

\* **Yasal düzenlemelere uygun, objektif, adil ve gizlilik içinde ele alır ve değerlendiririz.**

\* **Bu geri bildirimleri süreçlerimizin daha mükemmel hale getirilmesinde kullanırız.**

- Arçelik olarak, mükemmel müşteri deneyimini yaşatmayı ana ilke olarak kabul eder, müşteri odaklı bir yaklaşım benimseriz.

- Bütün süreçlerimizi yönetim sistemi ile entegre ederek birbirini kontrol eden bir yapı geliştirilmesini sağlarız.

Yönetim hedeflerini de bu sistem üzerinden besleriz.

### Aşağıdaki önerilere uyanızı rica ederiz.

- Ürününüzü aldığınızda Garanti belgesini Yetkili Satıcınıza onaylattırınız.
- Ürününüzü kullanma kılavuzu esaslarına göre kullanınız.
- Ürününüz ile ilgili hizmet talebiniz olduğunda yukarıdaki telefon numaralarından Çağrı Merkezimize başvurunuz.
- Hizmet için gelen teknisyene "teknisyen kimlik kartı" nı sorunuz.
- İşiniz bittiğinde Yetkili servis teknisyeninden "Hizmet Fişi" istemeyi unutmayınız. alacağınız "Hizmet Fişi" , ilerde ürününüzde meydana gelebilecek herhangi bir sorunda size yarar sağlayacaktır.
- Ürünün kullanım ömrü: 10 yıldır. (Ürünün fonksiyonunu yerine getirebilmesi için gerekli yedek parça bulundurma süresi)

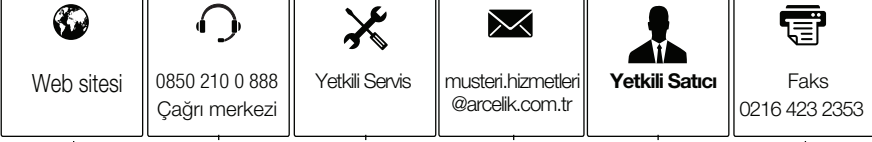


## 7 Tüketici hizmetleri

### Hizmet talebinin değerlendirilmesi

1

#### Müşteri Başvurusu



2

#### Başvuru kaydı

Başvuru Konusu  
Müşteri Adı, Soyadı  
Müşteri Telefonu  
Müşteri Adresi

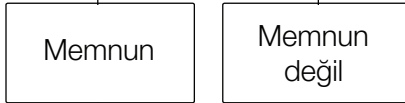
3

#### Hizmet talebinin alınması

- Hizmet talebi analizi
- Hizmet hakkında müşterinin bilgilendirilmesi (Keşif,nakiye,montaj,bilgi,onarım,değişim vb.)
- Hizmet hakkında gerekli işlemin gerçekleştirilmesi

4

#### Müşteri memnuniyetinin alınması



5

#### Başvuru kaydının kapatılıp, bilgilerin saklanması

## **Bu kılavuzu okumadan ürününüzü çalıştırmayınız.**

Ürününüz ile ilgili garanti şartları, kullanımı ve sorun giderme yöntemleri kılavuzda yer almaktadır.

Uygun Kullanım ve Garanti ile İlgili Dikkat Edilmesi Gereken Hususlar;

Aşağıda belirtilen sorunların giderilmesi ücret karşılığında yapılır. Bu durumlar için garanti şartları uygulanmaz;

1. Kullanım hatalarından kaynaklanan hasar ve arızalar,
  2. Malın tüketiciye tesliminden sonraki yükleme, boşaltma, taşıma vb. sırasında oluşan hasar ve arızalar,
  3. Malın kullanıldığı yerin elektrik (priz, gerilim, topraklama vb.), su (su basıncı, musluk vb.), doğalgaz, telefon, internet vb. şebekesi ve/veya altyapısı (gider, zemin, ortam vb.) kaynaklı meydana gelen hasar ve arızalar,
  4. Doğa olayları ve yangın, su baskını vb. kaynaklı meydana gelen hasar ve arızalar,
  5. Malın tanıtma ve kullanma kılavuzlarında yer alan hususlara aykırı kullanılmasından kaynaklanan hasar ve arızalar,
  6. Malın, 6502 sayılı Tüketicinin Korunması Hakkındaki Kanununda tarif edilen şekli ile ticari veya mesleki amaçlarla kullanımı durumunda ortaya çıkan hasar ve arızalar,
  7. Mala yetkisiz kişiler tarafından bakım, onarım veya başka bir nedenle müdahale edilmesi
- Durumlarında mala verilmiş garanti sona erecektir.

Garanti uygulaması sırasında değiştirilen malın garanti süresi, satın alınan malın kalan garanti süresi ile sınırlıdır.

Ürününüz Arçelik A.Ş adına Guangdong Midea Kitchen Appliances Manufacturing Co. Ltd No.6, Yongan Rd, Beijiao, Shunde, Foshan, Guangdong, 528311 China Tel: + 86 75723601793 tarafından üretilmiştir.

Menşei: P.R.C.

**GARANTİ ŞARTLARI**

- 1) Garanti süresi, malın teslim tarihinden itibaren başlar ve 2 yıldır.
- 2) Malın tanıtma ve kullanma kılavuzunda gösterildiği şekilde kullanılması ve Arçelik A.Ş.'nin yetkili kıldığı servis çalışanları dışındaki şahıslar tarafından bakım, onarım veya başka bir nedenle müdahale edilmemiş olması şartıyla, malın bütün parçaları dahil olmak üzere tamamını; malzeme, işçilik ve üretim hatalarına karşı malın teslim tarihinden itibaren yukarıda belirtilen süre kadar garanti eder.
- 3) Malın ayıplı olduğunun anlaşılması durumunda tüketici, 6502 sayılı Tüketicinin Korunması Hakkında Kanununun 11 inci maddesinde yer alan;
  - a- Sözleşmeden dönme,
  - b- Ücretsiz onarılmasını isteme,
  - c- Satış bedelinden indirim isteme,
  - ç- Satılmanın ayıpsız bir misli ile değiştirilmesini isteme, haklarından birini kullanabilir.
- 4) Tüketicinin bu haklardan ücretsiz onarım hakkını seçmesi durumunda satıcı; işçilik masrafı, değiştirilen parça bedeli ya da başka herhangi bir ad altında hiçbir ücret talep etmeksizin malın onarımını yapmak veya yaptırmakla yükümlüdür. Tüketici ücretsiz onarım hakkını üretici veya ithalatçıya karşı da kullanabilir. Satıcı, üretici ve ithalatçı tüketicinin bu hakkını kullanmasından müstesilselen sorumludur.
- 5) Tüketicinin, ücretsiz onarım hakkını kullanması halinde malın;
  - Garanti süresi içinde tekrar arızalanması,
  - Tamiri için gereken azami sürenin aşılması,
  - Tamirinin mümkün olmadığı, yetkili servis istasyonu, satıcı, üretici yada ithalatçı tarafından bir raporla belirlenmesi durumlarında;

tüketici malın bedel iadesini, ayıp oranında bedel indirimini veya imkân varsa malın ayıpsız misli ile değiştirilmesini satıcıdan talep edebilir.

Satıcı, tüketicinin talebini reddedemez. Bu talebin yerine getirilmemesi durumunda satıcı, üretici ile ithalatçı müstesilselen sorumludur.

- 6) İlgili mevzuatlarda belirlenen kullanım ömrü süresince malın azami tamir süresi 20 iş gününü, geçemez. Bu süre, garanti süresi içerisinde mala ilişkin arızanın yetkili servis istasyonuna veya satıcıya bildirim tarihinde, garanti süresi dışında ise malın yetkili servis istasyonuna teslim tarihinden itibaren başlar. Garanti kapsamı içerisindeki malın arızasının 10 iş günü içerisinde giderilememesi halinde, üretici veya ithalatçı; malın tamiri tamamlanıncaya kadar, benzer özelliklere sahip başka bir malı tüketicinin kullanımına tahsis etmek zorundadır. Benzer özelliklere sahip başka bir malın tüketici tarafından istenmemesi halinde üretici veya ithalatçılar bu yükümlülüğünden kurtulur. Malın garanti süresi içerisinde arızalanması durumunda, tamirde geçen süre garanti süresine eklenir.
- 7) Malın kullanma kılavuzunda yer alan hususlara aykırı kullanılmasıyla kaynaklanan hasar ve arızalar garanti kapsamı dışındadır.
- 8) Tüketici, garantiden doğan haklarının kullanılmasına ile ilgili olarak çıkabilecek uyuşmazlıklarda yerleşim yerinin bulunduğu veya tüketici işleminin yapıldığı yerdeki Tüketici Hakem Heyetine veya Tüketici Mahkemesine başvurabilir.
- 9) Satıcı tarafından bu Garanti Belgesinin verilmemesi durumunda tüketici, Ticaret Bakanlığı Tüketicinin Korunması ve Piyasa Gözetimi Genel Müdürlüğüne başvurabilir.

**Üretici veya İthalatçı Firmanın:**

**Unvanı:** Arçelik A.Ş.  
**Adresi:** Arçelik A.Ş. Karaağaç Caddesi No:2-6,  
34445, SİTLÜCE / İSTANBUL  
**Telefonu:** 0216 585 8 888  
**Faks:** 0216 423 2353  
**web adresi:** www.arçelik.com.tr

**Malın:**

**Markası:** Arçelik  
**Cinsi:** Mikrodalga Fırın  
**Modeli:** MD 201 S  
MD 201 B  
**Bandrol ve Seri No:**  
**Garanti Süresi:** 2 YIL  
**Azami Tamir Süresi:** 20 İş günü

GENEL MÜDÜR

**Arçelik A.Ş.**

GENEL MÜDÜR YRD.

**Satıcı Firmasının:**

**Unvanı:**  
**Adresi:**  
**Telefonu:**  
**Faks:**  
**e-posta**

**Fatura Tarih ve Sayısı:**  
**Teslim Tarihi ve Yeri:**  
**Yetkilinin İmzası:**  
**Firmanın Kaşesi:**

Bu bölümü, ürünü aldığınız Yetkili Satıcı imzalayacak ve kaşeleyecektir.

Türkiye Cumhuriyeti içerisinde satın alınan bu ürünün garantisi, sadece Türkiye sınırları içinde geçerlidir.