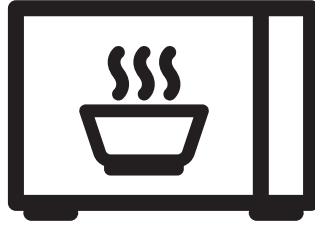




Mikrodalga Fırın

Kullanma Kılavuzu



MD 310 DS

EN - TR



01M-9206751100-5022-03

CONTENTS

1 Important safety and environmental instructions 4

- 1.1 Safety warnings 4
- 1.2 Compliance with the WEEE Directive and Disposing of the Waste Product: 10
- 1.3 Compliance with RoHS Directive 10
- 1.4 Package information 10

2 Your microwave oven 11

- 2.1 Overview 11
- 2.2 Technical data. 11
- 2.3 Installing the turntable. 12

3 Installation and connection 12

- 3.1 Installation 12
- 3.2 Radio interference. 12
- 3.3 Microwave cooking principles . . 13
- 3.4 Grounding instructions 13
- 3.5 Utensils guide 14

4 Operation 15

- 4.1 Control panel 15
- 4.2 Microwave function. 15
- 4.3 Defrost. 16
- 4.4 Auto cooking. 16
- 4.5 Timer 17
- 4.6 Reheat 17
- 4.7 Express cooking 17
- 4.8 0/Clock 17
- 4.9 Stop. 17
- 4.10 START/+30s. 18
- 4.11 Child lock 18

5 Cleaning and care 18

- 5.1 Cleaning and care. 18
- 5.2 Storage 19
- 5.3 Handling and transportation. . . . 19

Please read this manual first!

Dear Customer,

Thank you for selecting a Arçelik product. We hope that you get the best results from your product which has been manufactured with high quality and state-of-the-art technology. Therefore, please read this entire user manual and all other accompanying documents carefully before using the product and keep it as a reference for future use. If you handover the product to someone else, give the user manual as well. Follow all warnings and information in the user manual.

Remember that this user manual may also apply to other models. Differences between models are explicitly described in the manual.

Meanings of the symbols

Following symbols are used in the various section of this user manual:



Important information and useful hints about usage.



Warnings for dangerous situations concerning the safety of life and property.



Warning for electric shock.



Warning for hot surfaces.

1 Important safety and environmental instructions

Important Safety Instructions Read Carefully And Keep For Future Reference

1.1 Safety warnings

This section contains safety instructions that will help protect from risk of fire, electric shock, exposure to leak microwave energy, personal injury or property damage. Failure to follow these instructions shall void any warranty.

- Arçelik Microwave Ovens comply with the applicable safety standards; therefore, in case of any damage on the appliance or power cable, it should be repaired or replaced by the dealer, service center or a specialist and authorized service alike to avoid any danger. Faulty or unqualified repair work may be dangerous and cause risk to the user.
- This appliance is intended to be used in household and similar applications such as:

- Staff kitchen areas in shops, offices and other working environments;
- Farm houses
- By clients in hotels, and other residential type environments;
- Bed and Breakfast type environments.
- Microwave oven is intended used freestanding.
- It is not intended for industrial or laboratory use.
- Do not attempt to start the oven when its door is open; otherwise you may be exposed to harmful microwave energy. Safety locks should not be disabled or tampered with.
- The microwave oven is intended for heating food and beverages. Drying of food or clothing and heating of warming pads, slippers, sponges, damp cloth and similar may lead to risk of injury, ignition or fire.

1 Important safety and environmental instructions

- Do not place any object between the front side and the door of the oven. Do not allow dirt or cleaning agent remnants to build up on the closure surfaces.
- Any service works involving removal of the cover that provides protection against exposure to microwave energy must be performed by authorized persons/service. Any other approach is dangerous.
- Your product is intended for cooking, heating and defrost food at home. It must not be used for commercial purposes.
- Your oven is not designed to dry any living being.
- Do not use your appliance to dry clothes or kitchen towels.
- Do not use this appliance outdoors, bathrooms, humid environments or in places where the it can get wet.
- No responsibility or warranty claim shall be assumed for damages arising from misuse or improper handling of the appliance.
- Never attempt to dismantle the appliance. No warranty claims are accepted for damage caused by improper handling.
- Only use the original parts or parts recommended by the manufacturer.
- Do not leave this appliance unattended while it is in use.
- Always use the appliance on a stable, flat, clean dry, and non-slip surface.
- The appliance should not be operated with an external clock timer or separate remote control system.
- Before using the appliance for the first time, clean all parts. Please see the details given in the “Cleaning and Maintenance” section.
- Operate the appliance for its intended purpose only as described in this manual.

1 Important safety and environmental instructions

- Appliance becomes very hot while it is in use. Pay attention not to touch the hot parts inside the oven.
- Do not operate the oven empty.
- Cooking utensil may get hot due to the heat transferred from the heated food to the utensil. You may need oven gloves to hold the utensil.
- Utensils shall be checked to ensure that they are suitable for use in microwave ovens.
- Do not place the oven on stoves or other heat generating appliances. Otherwise, it may be damaged and the warranty becomes void.
- Steam may come out while opening the covers or the foil after cooking the food.
- The appliance and its accessible surfaces may be very hot when the appliance is in use.
- Door and outer glass may be very hot when the appliance is in use.
- Make sure that your mains power supply complies with the information supplied on the rating plate of the appliance.
- The only way to disconnect the appliance from the power supply is to remove the power plug from the power outlet.
- Use the appliance with a grounded outlet only.
- Never use the appliance if the power cable or the appliance itself is damaged.
- Do not use this appliance with an extension cord.
- Never touch the appliance or its plug with damp or wet hands.
- Place the appliance in a way so that the plug is always accessible.
- Prevent damage to the power cable by not squeezing, bending, or rubbing it on sharp edges. Keep the power cable away from hot surfaces and naked flame.

1 Important safety and environmental instructions

- Make sure that there is no danger that the power cable could be accidentally pulled or that someone could trip over it when the appliance is in use.
- Unplug the appliance before each cleaning and when the appliance is not in use.
- Do not pull the power cable of the appliance to disconnect it from its power supply and never wrap its power cable around the appliance.
- Do not immerse the appliance, power cable, or power plug in water or any other liquids. Do not hold it under running water.
- When heating food in plastic or paper containers, keep an eye on the oven due to the possibility of ignition.
- Remove the wire strings and/or metal handles of paper or plastic bags before placing bags to the oven.
- If smoke is observed, switch off or unplug the appliance if safe to do so and keep the door closed in order to stifle any flames.
- Do not use microwave oven for storage. Do not leave paper items, cooking material or food inside the oven when it is not being used.
- The contents of feeding bottles and baby food jars should be stirred or shaken and the temperature checked before consumption, in order to avoid burns.
- This appliance is a Group 2 Class B ISM equipment. Group 2 contains all ISM (Industrial, Scientific and Medical) equipment in which radio-frequency energy is intentionally generated and/or used in the form of electromagnetic radiation for the treatment of material, and spark erosion equipment.
- Class B equipment is suitable for use in domestic establishments and establishments directly connected to a low voltage power supply network.

1 Important safety and environmental instructions

- Do not use cooking oil in the oven. Hot oil may damage the components and materials of the oven, and it may even cause skin burns.
 - Pierce food with thick crust such as potatoes, courgettes, apples and chestnuts.
 - Appliance must be placed so that the rear side is facing the wall.
 - Before moving the appliance, please secure the turntable to prevent damage.
 - Eggs in their shell and whole hard-boiled eggs must not be heated in microwave ovens since they may explode, even after microwave heating has ended.
- WARNING:** If the door or door seals are damaged, the oven must not be operated until it has been repaired by a competent person.
- WARNING:** It is hazardous for anyone other than a competent person to carry out any service or repair operation which involves the removal of a cover which gives protection against exposure to microwave energy.
- WARNING:** Liquids and other foods must not be heated in sealed containers since they are liable to explode.
- The oven should be cleaned regularly and any food deposits removed.
 - There should be min 20 cm free space above the top surface of the oven.
 - Do not over-cook foods; otherwise, you may cause a fire.
 - Do not use chemicals and steam assisted cleaners to clean the appliance.
 - Extreme caution is advised when being used near children and persons who are restricted in their physical, sensory or mental abilities.
 - This appliance can be used by the children who are at the age of 8 or over and by the people who have limited physical,

1 Important safety and environmental instructions

sensory or mental capacity or who do not have knowledge and experience, as long as they are supervised with regard to safe use of the product or they are instructed accordingly or understand the risks of using the product. Children should not play with the appliance. Cleaning and user maintenance shall not be made by children unless they are older than 8 and supervised.

- **Danger of choking!** Keep all the packaging materials away from children.
- Due to excessive heat that arises in grill and combination modes, children should only be allowed to use these modes under supervision of an adult.
- Keep the product and its power cable so that they are inaccessible by children under 8 years old.
- Do not cook food directly on the glass tray. Put the food in / on appropriate kitchen uten-

sils before placing them in the oven.

- Metallic containers for food and beverages are not allowed during microwave cooking. Otherwise, sparking may occur.
- This product is not designed to be built-in. Do not place the product in a cabinet or box while it is in use.
- Failure to maintain the oven in a clean condition could lead to deterioration of the surface that could adversely affect the life of the appliance and possibly result in a hazardous situation.
- The appliance shall not be cleaned with a steam cleaner.
- Microwave heating of beverages can result in delayed eruptive boiling, therefore care must be taken when handling the container.

1 Important safety and environmental instructions

1.2 Compliance with the WEEE Directive and Disposing of the Waste Product:

This product complies with EU WEEE Directive (2012/19/EU). This product bears a classification symbol for waste electrical and electronic equipment (WEEE).



This symbol indicates that this product shall not be disposed with other household wastes at the end of its service life. Used device must be returned to official collection point for recycling

of electrical and electronic devices. To find these collection systems please contact to your local authorities or retailer where the product was purchased. Each household performs important role in recovering and recycling of old appliance. Appropriate disposal of used appliance helps prevent potential negative consequences for the environment and human health.

1.3 Compliance with RoHS Directive

The product you have purchased complies with EU RoHS Directive (2011/65/EU). It does not contain harmful and prohibited materials specified in the Directive.

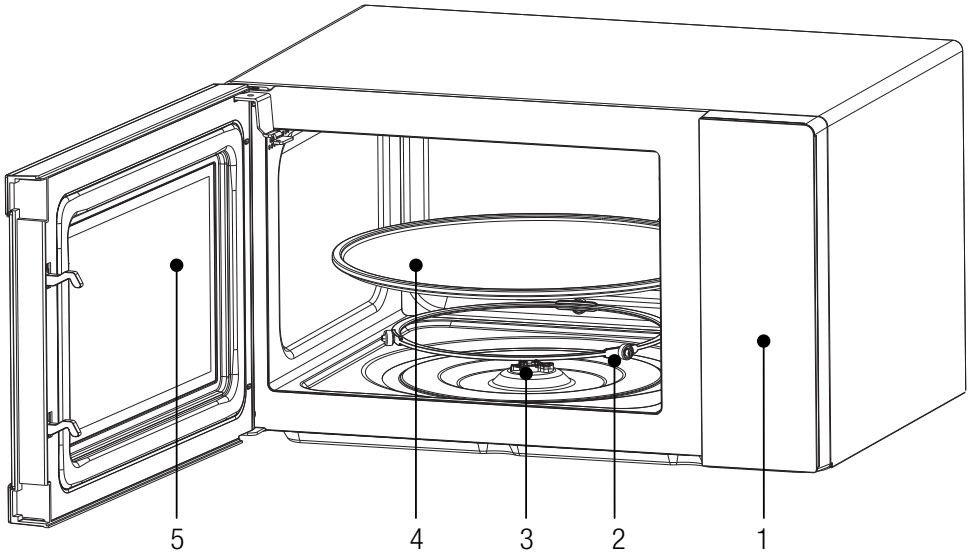
1.4 Package information



Packaging materials of the product are manufactured from recyclable materials in accordance with our National Environment Regulations. Do not dispose of the packaging materials together with the domestic or other wastes. Take them to the packaging material collection points designated by the local authorities.

2 Your microwave oven

2.1 Overview



Controls and parts

1. Control panel
2. Turntable support
3. Shaft
4. Glass tray
5. Oven door

2.2 Technical data

Rated voltage	230V~, 50Hz
Rated input (Microwave)	1440 W
Rated output (Microwave)	900 W
Microwave frequency	2450MHz
Glass tray diameter	315 mm
Capacity	30 L

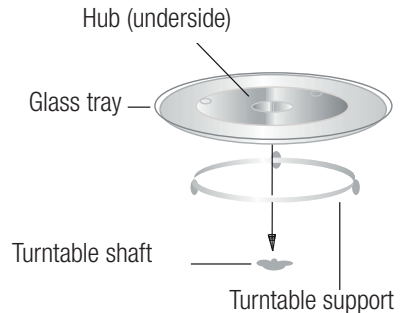
Technical and design modification rights are reserved.

Markings on the appliance or the values stated in other documents supplied with the product are values obtained under laboratory conditions as per relevant standards. These values may vary according to the usage of the appliance and ambient conditions.

2 Your microwave oven

2.3 Installing the turntable

- Never place the glass tray upside down. The glass tray should never be restricted.
- Both glass tray and turntable support must always be used during cooking.
- All food and containers of food must always place on the glass tray for cooking.
- If glass tray or turntable support crack or break, contact your nearest authorized service center.



3 Installation and connection

3.1 Installation

1. Make sure that all the packing materials are removed from the inside of the door.



WARNING: Check the oven for any damage, such as misaligned or bent door, damaged door seals and sealing surface, broken or loose door hinges and latches and dents inside the cavity or on the door. If there is any damage, do not operate the oven and contact qualified service personnel.

2. This microwave oven must be placed on a flat, stable surface to hold its weight and the heaviest food likely to be cooked in the oven.
3. Do not place the oven where heat, moisture, or high humidity are generated, or near combustible materials.
4. For correct operation, the oven must have sufficient airflow. Allow 20cm of space above the oven, 10cm at back and 5cm at both sides. Do not cover or block any openings on the appliance. Do not remove feet.
5. Do not operate the oven without glass tray, roller support, and shaft in their proper positions.
6. Make sure that the power supply cord is undamaged and does not run under the oven or over any hot or sharp surface.
7. The socket must be readily accessible so that it can be easily unplugged in an emergency.
8. Do not use the oven outdoors.

3.2 Radio interference

Operation of the microwave oven can cause interference to your radio, TV, or similar equipment.

3 Installation and connection

When there is interference, it may be reduced or eliminated by taking the following measures:

1. Clean door and sealing surface of the oven.
2. Reorient the receiving antenna of radio or television.
3. Relocate the microwave oven with respect to the receiver.
4. Move the microwave oven away from the receiver.
5. Plug the microwave oven into a different outlet so that microwave oven and receiver are on different branch circuits.

3.3 Microwave cooking principles

1. Arrange food carefully. Place thickest areas towards outside of dish.
2. Watch cooking time. Cook for the shortest amount of time indicated and add more as needed. Food severely overcooked can smoke or ignite.
3. Cover foods while cooking. Covers prevent spattering and help foods to cook evenly.
4. Turn foods over once during microwave cooking to speed cooking of such foods as chicken and hamburgers. Large items like roasts must be turned over at least once.
5. Rearrange foods such as meatballs halfway through cooking both from top to bottom and from the center of the dish to the outside.

3.4 Grounding instructions

This appliance must be grounded. This oven is equipped with a cord having a grounding wire with a grounding plug. It must be plugged into a wall receptacle that is properly installed and grounded. In the event of an electrical short circuit, grounding reduces risk of electric shock by providing an escape wire for the electric current. It is recommended that a separate circuit serving only the oven be provided. Using a high voltage is dangerous and may result in a fire or other accident causing oven damage.



WARNING: Improper use of the grounding plug can result in a risk of electric shock.



If you have any questions about the grounding or electrical instructions, consult a qualified electrician or service person.



Neither the manufacturer nor the dealer can accept any liability for damage to the oven or personal injury resulting from failure to observe the electrical connection procedures.

3 Installation and connection

The wires in this cable main are colored in accordance with the following code:

Green and Yellow = EARTH

Blue = NEUTRAL

Brown = LIVE

3.5 Utensils guide

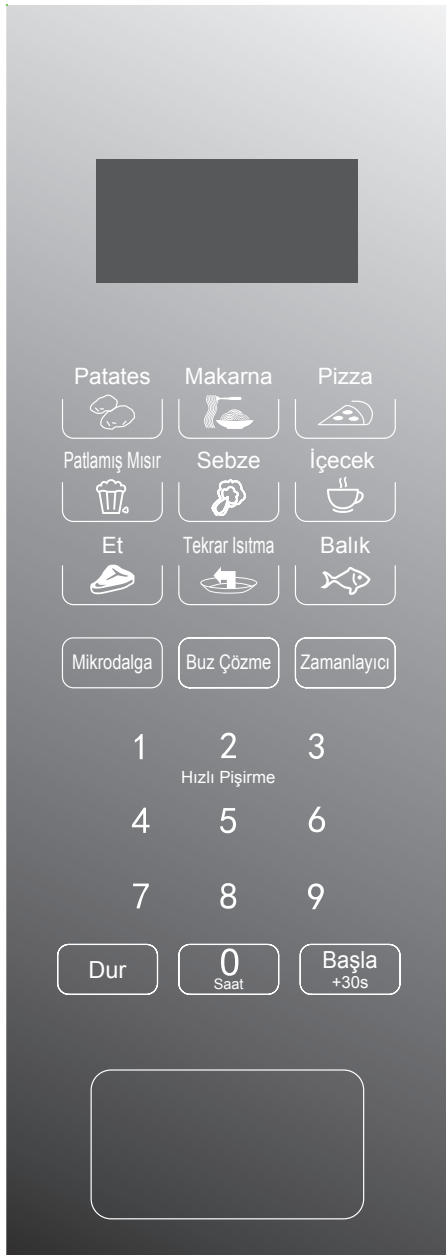
1. Microwave cannot penetrate metal. Only use utensils that are suitable for use in microwave ovens. Metallic containers for food and beverages are not allowed during microwave cooking. This requirement is not applicable if the manufacturer specifies size and shape of metallic containers suitable for microwave cooking.
2. Microwave cannot penetrate metal, so metal utensils or dishes with metallic trim should not be used.
3. Do not use recycled paper products when microwave cooking, as they may contain small metal fragments which may cause sparks and/or fires.
4. Round /oval dishes rather than square/oblong ones are recommend, as food in corners tends to overcook.
5. Narrow strips of aluminum foil may be used to prevent overcooking of exposed areas. But be careful don't use too much and keep a distance of 1 inch (2.54cm) between foil and cavity.

The list below is a general guide to help you select the correct utensils.

Cookware	Microwave	Notes
Heat-Resistant glass	Yes	
Non heat-Resistant glass	No	
Heat-Resistant ceramics	Yes	Never use the ceramics which are decorated with metal rim or glazed
Heat-Resistant plastic	Yes	Can not be used for long time microwave cooking
Plastic film	Yes	It should not be used when cooking meat or chops as the over-temperature may do damage to the film
Grill rack	No	
Aluminum Foil & Foil Containers	No	

4 Operation

4.1 Control panel



Before cooking

The display lit up when plugged in power supply, then enter the standby state and display shows 1:00.

4.2 Microwave function

There are five firepower levels, 100P, 80P, 50P, 30P and 10P, respectively.

1. Press the "Microw." button continuously and select the desired microwave power.
2. Press 0~9 number buttons to input the cooking time, the maximum time that can be input is 99:99.
3. After entering the cooking time, press "START/+30s" button to start work.
4. An buzzing sound to notify completion of the operation.

HIGH	100% power output	(Applicable for quick and thorough cooking)
M.High	80% power output	(Applicable for medium express cooking)
Med	50% power output	(Applicable for steaming food)
M.Low	30% power output	(Applicable for defrosting food)
LOW	10% power output	(Applicable for keeping warm)



- The max time which can be set is 99 minutes and 99 seconds.
- If you turn the food during operation, press the START/+30s button once and the preset cooking procedure will continue.
- If you intend to remove the food before the preset time, you must press STOP button once to clear the preset procedure to avoid unintended operation of next time use.

4 Operation



- Never use the grill rack during microwave cooking.
- Never operate the oven empty.
- At the maximum microwave power, the oven will automatically lower the power after a certain time of cooking to lengthen the service life.

4.3 Defrost

There are two defrost mode, dEF1 and dEF2, respectively. dEF1 for defrost by weight and dEF2 for defrost by time.

1. Press “Defrost” button to select defrosting by weight or by time, the display screen displays “dEF1” or “dEF2”.
2. Press 0~9 number buttons to input the food weight or defrosting time.
3. The weight range of dEF1 can be set from 100g to 1500g and the maximum time that dEF2 can input is 99:99.
4. After entering, press the “START/+30s” button start to work.
5. An buzzing sound to notify completion of the operation.

The dEF1 defrost mode by weight will have beeping sound to prompt the food to be turned over during defrosting.

Below is some food defrosting time advice:

dEF1	For defrosting, the weight range is from 100g to 1500g.
------	---

dEF2	For defrosting, the maximum time is 99:99
------	---



- It is necessary to turn over the food during operation to obtain a uniform effect.
- Usually defrosting will need a longer time than that cooking the food.



- If the food can be cut by knife, the defrosting process can be considered completed.
- Microwave penetrates around 4cm into most food.



Defrosted food should be consumed as soon as possible, it is not advised to put back to fridge and freeze again.

4.4 Auto cooking

There are eight automatic menus, potato, pasta, pizza, vegetable, beverage, meat and fish respectively.

1. Select the desired menu.
2. Press the corresponding button which to be selected continuously to select the desired food weight, and the display shows the corresponding weight.
3. Press “START/+30s” button to start work.
4. An buzzing sound to notify completion of the operation.

Display	Kind	Method
A.1	Potato	The optional weight are 250g, 500g and 750g.

4 Operation

A.2	Pasta	The optional weight are 50g, 100g and 150g.
A.3	Pizza	The optional weight are 200g and 400g.
A.4	Popcorn	The optional weight is 100g.
A.5	Vegetable	The optional weight are 200g, 400g and 600g.
A.6	Beverage	The optional weight are 1 cup, 2 cups or 3 cups, each one about 250ml.
A.7	Meat	The optional weight are 200g, 400g and 600g.
A.8	Fish	The optional weight are 200g, 400g and 600g.



- The temperature of food before cooking would be 20-25°C. Higher or lower temperature of the food before cooking would require increase or decrease of cooking time.
- The temperature, weight and shape of food will largely influence the cooking effect. If any deviation has been found to the factor noted on above menu, you can adjust the cooking time for best result.

4.5 Timer

In standby mode, press this button to enter the setting interface, and the countdown function icon and “0:00” will be displayed on the display screen.

1. Press the 0 ~ 9 number buttons to input the time. The maximum time that can be input is 99:99.
2. After setting the time, press the “START/+ 30s” button to begins the countdown.
3. An buzzing sound to notify completion of the countdown.

4.6 Reheat

Reheat function is mainly to facilitate users to heat food according to the weight of food.

1. Press “Reheat” button continuously, select the appropriate weight of food, the weight range can be selected are 200g, 400g, 600g, 800g and 1000g.
2. After select the weight, press “START/+30s” button to start work, an buzzing sound to notify completion of the operation.

4.7 Express cooking

There're two ways of Express cooking.

- In standby mode, you can directly press the 1~6 number buttons to start the microwave oven. The working time is 1~6 minutes, that is, press 1 to work for 1 minute, press 2 to work for 2 minutes, and so on. After select the time, press “START/+30s” button to start work, an buzzing sound to notify completion of the operation.
- In standby mode, after putting food in and closing the door, press the “START/+30s” button to start the microwave quickly. The default working time is 30 seconds. In the working process, press the “START/+30s” button once for 30 seconds. An buzzing sound to notify completion of the operation.

4.8 0/Clock

The clock function and “0” button are combined in one button. The clock is 24-hour system.

The operation of the clock function is as follows:

In standby mode, press “0/Clock” button for more than 3 seconds to enter the clock setting interface, press the 0 ~ 9 number buttons to input the clock time directly and press the “START/+30s” button to confirm the specified time and exit the clock setting mode.

4.9 Stop

In the process of cooking settings, can press “STOP” button to cancel the settings and return to standby state. In the process of microwave oven working, can press “STOP” button to pause. In the standby state, can press “STOP” button again to cancel the function and return to standby state.

4 Operation

4.10 START/+30s

After setting the cooking time or food weight, press “START/+30s” button to start microwave oven immediately.

In working state, can press “START/+30s” button to increase time, press one time to increase 30 seconds, but the menu mode and weight defrosting mode cannot adjust time.

In pause state, can press “START/+30s” button to continue the microwave oven before cooking mode.

4.11 Child lock

Use this feature to lock the control panel when you are cleaning or so that children can not use the oven unsupervised. All the buttons are rendered inoperable in this mode.

- **Set lock:** Hold STOP button about 3 seconds.
- **Cancel lock:** Hold STOP button about 3 seconds

5 Cleaning and care

5.1 Cleaning and care



WARNING: Never use gasoline, solvent, abrasive cleaning agents, metal objects or hard brushes to clean the appliance.



WARNING: Never immerse the appliance or its power cable in water or in any other liquid.

1. Turn off the oven and remove the power plug from the wall socket before cleaning.
2. Wait for the appliance to completely cool down.
3. Keep the inside of the oven clean. When food splatters or spilled liquids adhere to oven walls, wipe with a damp cloth. Mild detergent may be used if the oven gets very dirty. Avoid the use of spray and other harsh cleaners as they may stain, streak or dull the door surface.
4. The outside surfaces should be cleaned with a damp cloth. To prevent damage to the operating parts inside the oven, water should not be allowed to seep into the ventilation openings.
5. Wipe the both sides of the door and window, the door seals and adjacent parts frequently with a damp cloth to remove any spills or spatters. Do not use abrasive cleaner.
6. A steam cleaner is not be used.
7. Do not allow the control panel to become wet. Clean with a soft, damp cloth. When cleaning the control panel, leave oven door open to prevent oven from accidentally turning on.
8. If steam accumulates inside or around the outside of the oven door, wipe with a soft cloth. This may occur when the microwave oven is operated under high humidity condition. And it is normal.
9. It is occasionally necessary to remove the glass tray for cleaning. Wash the tray in warm sudsy water or in a dishwasher.

5 Cleaning and care

10. The roller ring and oven floor should be cleaned regularly to avoid excessive noise. Simply wipe the bottom surface of the oven with mild detergent. The roller ring may be washed in mild sudsy water or dishwasher. When removing the roller ring from cavity floor for cleaning, be sure to replace in the proper position.
11. Remove odors from your oven by combining a cup of water with the juice and skin of one lemon in a deep microwaveable bowl, microwave for 5 minutes. Wipe thoroughly and dry with a soft cloth.
12. When it becomes necessary to replace the oven light, please consult a dealer to have it replaced.
13. The oven should be cleaned regularly and any food deposits removed. Failure to maintain the oven in a clean condition could lead to deterioration of the surface that could adversely affect the life of the appliance and possibly result in a hazardous situation.
14. Please do not dispose this appliance into the domestic rubbish bin; it should be disposed to the particular disposal center provided by the municipalities.
15. When the microwave oven with grill function is first used, it may produce slight smoke and smell. This is a normal phenomenon because the oven is made of a steel plate coated with lubricating oil, and the new oven will produce fumes and odor generated by burning the lubricating oil. This phenomenon will disappear after a period of using.

5.2 Storage

- If you do not intend to use the appliance for a long time, please store it carefully.
- Please make sure that the appliance is unplugged, cooled down and totally dry.
- Store the appliance in a cool and dry place.
- Keep the appliance out of the reach of children.

5.3 Handling and transportation

- During handling and transportation, carry the appliance in its original packaging. The packaging of the appliance protects it against physical damages.
- Do not place heavy loads on the appliance or the packaging. The appliance may be damaged.
- Dropping the appliance will render it non-operational or cause permanent damage.

Lütfen önce bu kılavuzu okuyun!

Değerli Müşterimiz,

Arçelik ürününü tercih ettiğiniz için teşekkür ederiz. Yüksek kalite ve teknoloji ile üretilmiş olan ürününüzün size en iyi verimi sunmasını istiyoruz. Bunun için, bu kılavuzun tamamını ve verilen diğer belgeleri ürünü kullanmadan önce dikkatle okuyun ve bir başvuru kaynağı olarak saklayın. Ürünü başka birisine vererseniz, kullanma kılavuzunu da birlikte verin. Kullanma kılavuzunda belirtilen tüm bilgi ve uyarıları dikkate alarak talimatlara uyun.

Bu kullanma kılavuzunun başka modeller için de geçerli olabileceğini unutmayın. Modeller arasındaki farklar kılavuzda açık bir şekilde belirtilmiştir.

Sembollerin anlamları

Bu kullanma kılavuzunun çeşitli kısımlarında aşağıdaki semboller kullanılmıştır:



Cihazın kullanımıyla ilgili önemli bilgiler ve faydalı tavsiyeler.



UYARI: Can ve mal güvenliğiyle ilgili tehlikeli durumlar konusunda uyarılar.



Elektrik çarpması uyarısı.



Sıcak yüzeylerle ilgili uyarı.



GERİ DÖNÜŞTÜRÜLMÜŞ &
GERİ DÖNÜŞTÜRÜLEBİLİR
KAĞIT

İÇİNDEKİLER

1 Önemli güvenlik ve çevre talimatları 22

- 1.1 Güvenlik uyarıları 22
- 1.2 AEEE Yönetmeliğine Uyum ve Atık Ürünün Elden Çıkarılması. 27
- 1.3 Ambalaj bilgisi 27

2 Mikrodalga fırınınız 28

- 2.1 Genel Bakış 28
- 2.2 Teknik veriler 28
- 2.3 Döner tabla montajı. 29

3 Kurulum ve bağlantı 29

- 3.1 Kurulum 29
- 3.2 Radyo paraziti 30
- 3.3 Mikrodalga pişirme kuralları. . . . 30
- 3.4 Topraklama talimatları 30
- 3.5 Mutfak eşyaları kılavuzu 31

4 Kullanım 32

- 4.1 Kontrol paneli 32
- 4.2 Mikrodalga işlevi. 32
- 4.3 Buz çözme 33
- 4.4 Otomatik pişirme. 33
- 4.5 Zamanlayıcı 34
- 4.6 Tekrar ısıtma 34
- 4.7 Hızlı pişirme 34
- 4.8 0/Saat 34
- 4.9 Durdurma. 35
- 4.10 BAŞLA/+30s 35
- 4.11 Çocuk kilidi 35

5 Temizlik ve bakım 35

- 5.1 Temizlik ve bakım 35
- 5.2 Saklama. 36
- 5.3 Taşıma ve nakliye 36

6 Tüketici hizmetleri 37

1 Önemli güvenlik ve çevre talimatları

Önemli Güvenlik Talimatları Dikkatle Okuyun ve Daha Sonra Başvurmak Üzere Saklayın.

1.1 Güvenlik uyarıları

Bu bölümde, yangın, elektrik çarpması, mikrodalga enerjisi kaçağı, yaralanma ya da maddi hasar tehlikelerini önlemeye yardımcı olacak güvenlik talimatları yer almaktadır. Bu talimatlara uyulmaması halinde her türlü garanti geçersiz hale gelir.

- Arçelik ürünleri geçerli güvenlik standartlarıyla uyumludur. Bu nedenle ürün veya elektrik kablosu hasar görürse, tehlikeleri önlemek için bayi, servis merkezi veya uzman ve yetkili bir servis tarafından onarılmalı ya da değiştirilmelidir. Hatalı veya yetersiz onarım işlemleri, kullanıcı için tehlike ve risk oluşturabilir.
 - Bu ürün ticari kullanım için tasarlanmamıştır, evde ve aşağıdakiler gibi uygulamalarda kullanılmak üzere tasarlanmıştır:

- Dükkanların, ofislerin ve diğer çalışma ortamlarının personel mutfaklarında;
- Çiftlik evlerinde;
- Otel, motel ve diğer konaklama mekânlarında müşteriler tarafından;
- Pansiyon türü mekanlarda.
- Mikrodalga fırın tezgah üstü olarak kullanılmak üzere tasarlanmıştır.
- Endüstriyel kullanım veya laboratuvarında kullanım için tasarlanmamıştır.
- Ürünü kapağı açıkken çalıştırmayı denemeyin; aksi takdirde zararlı mikrodalga enerjisine maruz kalabilirsiniz. Güvenlik kilitlerine müdahale edilmemeli veya bu kilitler devre dışı bırakılmamalıdır.
- Mikrodalga fırın yiyecek ve içeceklerin ısıtılması içindir. Isıtma pedleri, süngerler, ıslak bezler ve benzeri eşyaların kurutulması veya ısıtılması yaralanma riskine, tutuşmaya veya yangına neden olabilir.

1 Önemli güvenlik ve çevre talimatları

- Ürünün ön kısmı ile kapağı arasına herhangi bir cisim koymayın. Kapanma yüzeylerinde kir veya temizlik maddesi kalıntıları birikmesine izin vermeyin.
- Mikrodalga enerjisine maruz kalmaya karşı koruma sağlayan kapağın çıkarılmasını içeren tüm bakım işlemleri yetkili kişiler/servis tarafından gerçekleştirilmelidir. Diğer tüm yaklaşımlar tehlikelidir.
- Ürününüz evde yiyeceklerin pişirilmesi, ısıtılması ve buzunun çözülmesi için tasarlanmıştır.
- Ürününüz canlı varlıkları kurutmak için tasarlanmamıştır.
- Ürününüzü, elbiseleri veya mutfak havlularını kurutmak için kullanmayın.
- Bu ürünü açık havada, banyolarda veya nemli ortamlarda ya da ıslanabileceği yerlerde kullanmayın.
- Ürününüzün yanlış veya hatalı kullanılmasından kaynaklanan hasarlar için herhangi bir sorumluluk veya garanti talebi kabul edilmeyecektir.
- Asla ürünü sökmeye çalışmayın. Hatalı kullanımın neden olduğu hasar için hiçbir garanti talebi kabul edilmez.
- Yalnızca orijinal parçaları veya üretici tarafından önerilen parçaları kullanın.
- Kullanımda olduğu zaman bu ürünün yanından ayrılmayın.
- Ürünü daima dengeli, düz, temiz, kuru ve kaymayan bir yüzey üzerinde kullanın.
- Bu ürünü harici bir zamanlayıcı veya ayrı bir uzaktan kumanda sistemiyle kullanmayın.
- Ürünü ilk kez kullanmadan önce tüm parçalarını temizleyin. Lütfen “Temizlik ve bakım” bölümündeki bilgileri okuyun.
- Ürünü yalnızca bu kılavuzda açıklanan kullanım amacı doğrultusunda çalıştırın.
- Ürün kullanım sırasında çok ısınabilir. Ürünün içindeki sıcak parçalara dokunmamaya dikkat edin.
- Mikrodalga ürünü boşken ça-

1 Önemli güvenlik ve çevre talimatları

- lıştırmayın.
- Pişirme kapları, ısıtılan yemekten kaba ısı aktarılması nedeniyle ısınır. Tüm kapları mikrodalgadan çıkartırken fırın eldiveni kullanın ve dikkatli olun.
 - Kaplar, mikrodalga fırına uygun olduklarından emin olmak için kontrol edilmelidir.
 - Mikrodalga ürünü, ocak gözlerinin veya diğer ısı üreten cihazların üzerine yerleştirmeyin. Aksi takdirde, hasar görebilir ve garanti geçersiz hale gelebilir.
 - Buhar oluşacağı için gıda paketlerinin kapaklarını çıkarmadan önce dikkatli olun.
 - Tüm ürün yüzeyleri ürün kullanımında iken çok ısınabilir.
 - Kapak ve dış cam, ürün kullanımdayken çok sıcak olabilir.
 - Şebeke güç kaynağınızın, ürün etiketinde belirtilen bilgilere uygun olduğundan emin olun.
 - Ürünü güç kaynağından ayırmanın tek yolu elektrik fişini prizden çekmektir.
 - Ürünü yalnızca topraklı bir prizle kullanın.
 - Elektrik kablosu veya ürün hasarlıysa ürünü asla kullanmayın.
 - Bu ürünü uzatma kablosuyla kullanmayın.
 - Ellerinizi nemli veya ıslakken ürüne veya fişine asla dokunmayın.
 - Ürünü, elektrik fişine her zaman ulaşılabilir şekilde yerleştirin.
 - Elektrik kablosunun hasar görmesini önlemek için sıkışmasını, kıvrılmasını veya keskin kenarlara sürtünmesini engelleyin. Elektrik kablosunu sıcak yüzeylerden ve çıplak alevden uzak tutun.
 - Ürünün kullanımı esnasında elektrik kablosunun yanlışıklıkla çekilmesi veya birinin kabloya takılma tehlikesinin olmadığından emin olun.
 - Ürünü temizlemeden önce her zaman prizden çekin ve ürün kullanımdayken asla temizlik yapmayın.

1 Önemli güvenlik ve çevre talimatları

- Elektrik kablosunu güç kaynağından çıkarmak için kablosundan veya üründen çekmeyin ve kabloyu asla ürünün etrafına sarmayın.
- Ürünü, elektrik kablosunu veya elektrik fişini suya ya da diğer sıvılara batırmayın. Suyun altına tutmayın.
- Plastik veya kağıt kaplardaki yiyecekleri ısıtırken, tutuşma olasılığına karşı ürünü gözetim altında tutun.
- Kağıt veya plastik torbaları fırına koymadan önce tel iplerini ve/veya metal kollarını çıkarın.
- Duman çıktığı gözlemlenirse, güvenli ise ürünü kapatın veya fişini çekin ve varsa alevin havasız kalarak sönmelerini sağlamak için kapağını kapalı tutun.
- Mikrodalga ürünü herhangi bir şey saklamak için kullanmayın. Kağıt eşyaları, pişirme materyallerini veya yiyecekleri, kullanımında değilken ürünün içinde bırakmayın.
- Biberonların ve bebek maması kavanozlarının içindekiler, yanmalarını önlemek için tüketilmeden önce karıştırılmalı, sallanmalı ve sıcaklıkları kontrol edilmelidir.
- Bu ürün bir Grup 2 Sınıf B ISM ekipmanıdır. Grup 2, radyofrekans enerjisinin bilerek üretildiği ve/veya elektromanyetik radyasyon formunda kullanıldığı tüm ISM (Endüstriyel, Bilimsel ve Tıbbi) ekipmanlarını ve kıvılcım ile aşındırma ekipmanlarını içermektedir.
- Sınıf B ekipmanlar, konutlarda ve düşük voltajlı güç kaynağı ağlarındadoğrudan bağlantılı tesislerde kullanım için uygundur.
- Üründe pişirme yağı kullanmayın. Sıcak yağ, ürünün bileşenlerine ve malzemelerine zarar verebilir ve hatta cilt yanıklarına yol açabilir.
- Patates, kabak, elma ve kestane gibi kalın kabuklu yiyecekleri delin.
- Ürün, arka tarafı duvara bakacak şekilde yerleştirilmelidir.

1 Önemli güvenlik ve çevre talimatları

- Ürünü taşımadan önce lütfen hasar görmesini önlemek için döner tablayı sabitleyin.
- Kabuklu çiğ yumurtalar veya haşlanmış yumurtalar, mikrodalgada yapılan ısıtma işlemi bittikten sonra bile patlama riski olduğu için mikrodalgada ısıtılmamalıdır.

UYARI: Kapı veya kapı izolasyon bantları zarar görürse, fırın yetkili bir kişi tarafından onarılanaya kadar çalıştırılmamalıdır.

UYARI: Mikrodalga enerjisine karşı koruma sağlayan bir kapağın kaldırılmasını içeren bir servis veya onarım işleminin yetkili bir kimse haricinde yapılması tehlike arz eder.

UYARI: Sıvılar ve diğer yiyecekler patlamaya meyilli oldukları için kapalı kaplarda ısıtılmamalıdır.

- Fırın düzenli olarak temizlenmelidir ve yemek artıkları çıkarılmalıdır.
- Ürünün üst yüzeyinin üzerinde en az 20 cm'lik bir boşluk olması gerekir.

- Yiyecekleri aşırı pişirmeyin, yangına yol açabilirsiniz.
- Ürünü temizlemek için kimyasallar ve buhar destekli temizleyiciler kullanmayın.
- Ürün çocukların ve sınırlı fiziksel, duyuşsal ya da zihinsel kapasiteye sahip insanların yakınında kullanıldığında son derece dikkatli olunması tavsiye edilir.
- Bu ürün, ürünün güvenli bir şekilde kullanılmasına dair uygun şekilde bilgilendirilmeleri ve ürünün kullanımı ile ilgili riskleri anlamış olmaları konusunda denetim altında tutulmaları kaydıyla, 8 yaşını geçmiş çocuklar da dahil olmak üzere, fiziksel, algısal veya ruhsal yetileri kısıtlı ya da bilgi ve tecrübesi olmayan kişiler tarafından kullanılabilir. Çocuklar ürün ile oynamamalıdır. 8 yaşından daha büyük olmadıkları ve gözetim altında olmadıkları takdirde, cihazın temizlenmesi ve kullanıcı bakımı çocuklar tarafından yapılmamalıdır.

1 Önemli güvenlik ve çevre talimatları

- **Boğulma tehlikesi!** Tüm ambalaj malzemelerini çocuklardan uzak tutun.
- Izgara ve kombinasyon modlarında aşırı ısı açığa çıktığı için çocukların bu modları kullanılmasına yalnızca bir yetişkinin gözetimi altında izin verilmelidir.
- Ürünü ve elektrik kablosunu 8 yaş altı çocuklar tarafından erişilemeyecek bir yerde tutun.
- Gıdaları direk olarak cam tepsi üzerinde ısıtma ve pişirme işlemi yapmayın. Mikrodalga fırına uygun olduğunu bildiğiniz bir kabın içine koyun.
- Ürününüzde yapacağınız tüm pişirme ve ısıtma işlemleri için kesinlikle metal kaplar kullanmayın. Aksi takdirde kıvılcımlanma meydana gelebilir.
- Bu ürün ankastre olarak tasarlanmamıştır. Ürün çalışır haldeyken dolap veya kutu içerisine koymayınız.
- Fırının temiz durumda tutulması, cihazın ömrünü olumsuz yönde etkileyebilecek ve muh-

temelen tehlikeli bir duruma yol açabilecek yüzeyin bozulmasına neden olabilir.

- Cihaz buharlı temizleyici ile temizlenmemelidir.
- Mikrodalgada sıvıların ısıtılması sırasında kaynama gecikebilir, bu yüzden kabı tutarken dikkatli olunuz. Sıcak sıvı aniden taşabilir.

1.2 AEEE Yönetmeliğine Uyum ve Atık Ürünün Elden Çıkarılması

Bu ürün T.C. Çevre ve Şehircilik Bakanlığı tarafından yayımlanan "Atık elektrikli ve Elektronik eşyaların Kontrolü Yönetmeliği"nde belirtilen zararlı ve yasaklı maddeleri içermez.



AEEE Yönetmeliğine uygundur. Bu ürün, geri dönüşümlü ve tekrar kullanılabilir nitelikteki yüksek kaliteli parça ve malzemelerden üretilmiştir. Bu nedenle, ürünü, hizmet ömrünün sonunda evsel veya diğer atıklarla birlikte atmayın. Elektrikli ve elektronik cihazların geri dönüşümü için bir toplama noktasına götürün. Bu toplama noktalarını bölgenizdeki yerel yönetime sorun. Kullanılmış ürünleri geri kazanıma vererek Çevrenin ve doğal kaynakların korunmasına yardımcı olun.

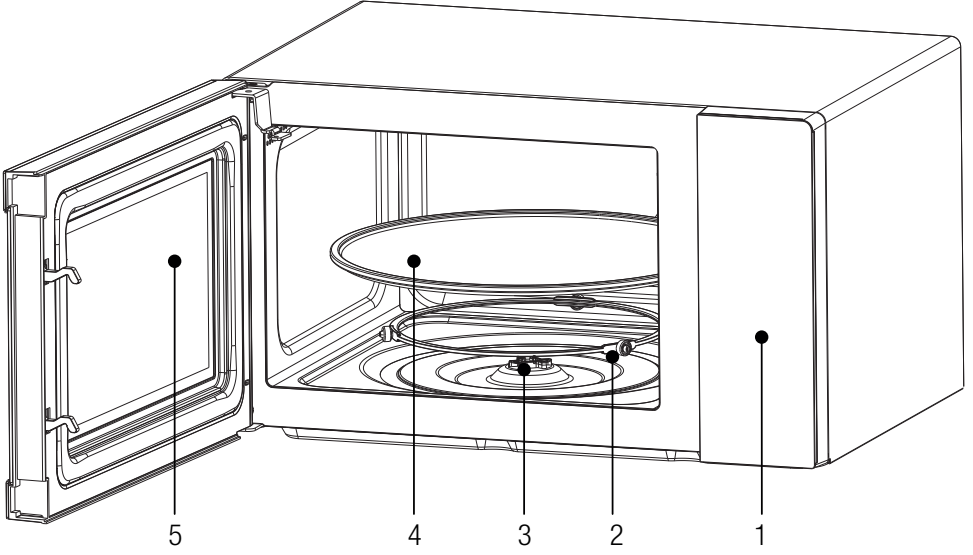
1.3 Ambalaj bilgisi



Ürünün ambalajı, Ulusal Mevzuatımız gereği geri dönüştürülebilir malzemelerden üretilmiştir. Ambalaj atığını evsel veya diğer atıklarla birlikte atmayın, yerel otoritenin belirttiği ambalaj toplama noktalarına atın.

2 Mikrodalga fırınınız

2.1 Genel Bakış



Kontroller ve parçalar

1. Kontrol paneli
2. Döner tabla desteği
3. Şaft
4. Cam tepsi
5. Fırın kapağı

2.2 Teknik veriler

Anma gerilimi	230V~, 50Hz
Giriş gücü (Mikrodalga)	1440 W
Çıkış gücü (Mikrodalga)	900 W
Mikrodalga frekansı	2450MHz
Döner platform çapı	315 mm
Fırın kapasitesi	30 L

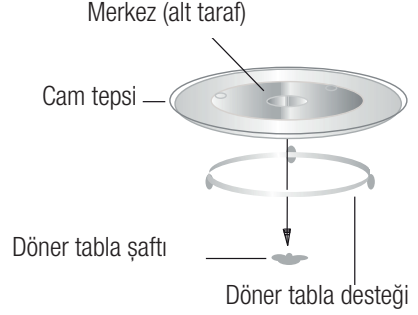
Teknik ve tasarım modifikasyon hakları saklıdır.

Cihaz üzerindeki işaretler veya ürün ile gelen diğer belgelerde belirtilen değerler ilgili standartlar doğrultusunda laboratuvar koşullarında elde edilmiştir. Bu değerler cihazın kullanımına ve ortam koşullarına göre değişebilir.

2 Mikrodalga fırınınız

2.3 Döner tabla montajı

- Asla cam tepsiyi baş aşağı yerleştirmeyin. Cam tepsi asla sıkışmamalıdır.
- Hem cam tepsi, hem de cam tepsi desteği pişirme sırasında her zaman kullanılmalıdır.
- Tüm yiyecekler ve yiyecek kapları her zaman cam tepsinin üzerine yerleştirilmelidir.
- Eğer cam tepsi veya cam tepsi desteği çatlar veya kırılırsa, en yakın yetkili servis merkezine başvurun.



3 Kurulum ve bağlantı

3.1 Kurulum

1. Tüm paketleme malzemelerin kapağın iç tarafından çıkarıldığından emin olun.



UYARI: Yanlış hizalanmış veya eğik kapak, hasarlı kapak contaları ve sızdırmaz yüzey, kırık veya gevşek kapak menteşeleri ve kilit mandalları ve fırın boşluğu içinde veya kapak üstünde bulunan oyuklar gibi hasarların fırınınızda olup olmadığını kontrol edin. Herhangi bir hasar görürseniz fırını çalıştırmayın ve uzman servis personeli ile irtibata geçin.

2. Mikrodalga fırınınızı kendi ağırlığını ve fırın içinde pişirilebilecek en ağır yiyeceğin ağırlığını taşıyabilecek şekilde düz ve sabit bir yüzeye yerleştirin.
3. Fırınınızı ısı, rutubet veya yüksek nem oluşumuna olanak veren bölgelere veya yanıcı malzemelerin yanına koymayın.
4. Fırınınızı düzgün bir şekilde çalıştırmak için fırınınızın yeterli hava akımını almasını sağlayın. Fırınınızın üst tarafında 20 cm, arka tarafında 10 cm ve her iki yanında 5er cm boşluk bırakın. Cihazın üstünde bulunan hiçbir deliği kapatmayın veya engellemeyin. Ayaklarını sökmeyin.
5. Fırınınızı cam tepsisini, silindir desteği ve gövdesini doğru konumuna getirmeden çalıştırmayın.
6. Güç kablosunun hasar görmediğinden ve fırının veya herhangi başka bir sıcak veya keskin yüzeyin altından geçmediğinden emin olun.
7. Acil bir durumda elektrik fişinin prizden kolayca çekilebilmesi için elektrik prizi erişilebilir bir konumda olmalıdır.

3 Kurulum ve bağlantı

8. Fırını dış mekanlarda kullanmayın.

3.2 Radyo paraziti

Mikrodalga fırınınız çalışırken radyonuza, televizyonunuza veya benzer donanımınıza elektromanyetik girişim etkisinde bulunabilir.

Meydana gelen girişim etkisi aşağıda belirtilen önlemlerin alınmasıyla azaltılabilir veya ortadan kaldırılabılır:

1. Fırınınızın kapağını ve sızdırmaz yüzeyini temizleyin.
2. Radyonuzun veya televizyonunuzun alıcı anteninin yönünü değiştirin.
3. Mikrodalga fırınınızın konumunu alıcıya göre değiştirin.
4. Mikrodalga fırınınızı alıcıdan uzak bir yere yerleştirin.
5. Mikrodalga fırınınızın ve alıcının farklı devre kollarında olmasını sağlamak için mikrodalga fırınınızın fişini başka bir prize takın.

3.3 Mikrodalga pişirme kuralları

1. Yiyeceği dikkatli bir şekilde hazırlayın. Daha kalın olan bölgeleri kabın dış tarafına doğru yerleştirin.
2. Pişirme süresini kontrol edin. Belirtilen en kısa süre boyunca pişirin ve bu süreyi gerektiği kadar uzatın. Ciddi biçimde çok pişirilen yiyecekler duman çıkarabilir veya alev alabilir.
3. Pişirirken yiyeceklerin üstünü bir kapakla kapatın. Kapaklar yiyeceklerin sıçramasını önler ve yiyeceklerin düzgün bir şekilde pişmesini sağlar.
4. Tavuk ve hamburger gibi yiyeceklerin daha hızlı pişmesini sağlamak için mikrodalga pişirme sırasında bu yiyecekleri bir kere altını üstüne getirecek şekilde çevirin. Rosto gibi büyük parçalı yiyecekler en az bir kere altı üstüne gelecek şekilde çevirmelidir.
5. Köfte gibi yiyecekleri alttan üste ve kabın merkezi ile dış tarafının ortasında pişirin.

3.4 Topraklama talimatları

Bu cihaza topraklama yapılması zorunludur. Fırınınız topraklı bir fişi olan bir topraklama kablosu ile donatılmıştır. Bu fiş düzgün bir şekilde monte edilmiş ve topraklanmış olan bir duvar prize takılmalıdır.

Bir kısa devre olması durumunda topraklama elektrik akımının kaçabileceği bir yol sağlayarak elektrik çarpması riskini azaltır. Fırının geriliminin ayrı bir devreden sağlanması tavsiye edilir. Yüksek gerilim kullanılması tehlikelidir ve yangına veya fırınınızın zarar görmesine sebep olabilecek başka kazalara yol açabilir.



UYARI: Topraklama prizinin yanlış kullanılması elektrik çarpmasına sebep olabilir.



Topraklama veya elektrik talimatları ile ilgili sorularınız varsa uzman bir elektrik teknisyeni veya servis personeli ile irtibata geçin.



Üretici ve bayi elektrik bağlantısı prosedürlerinin yerine getirilmemesinden dolayı fırında meydana gelen hasarlardan veya kişisel zararlardan sorumlu değildir.

3 Kurulum ve bağlantı

Bu kablo şebekesinde bulunan kablolar aşağıda belirtilen kodlara göre belirlenen renklere boyanmıştır:

Yeşil ve Sarı = TOPRAK

Mavi = NÖTR

Kahverengi = ELEKTRİKLİ

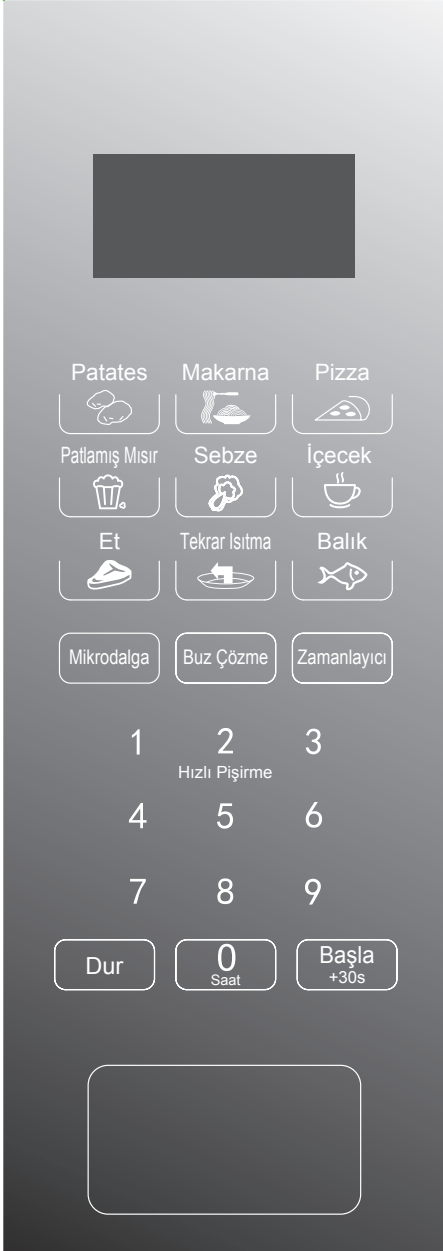
3.5 Mutfak eşyaları kılavuzu

1. Mikrodalga metale nüfuz edemez. Yalnızca mikrodalga fırında kullanıma uygun kaplar kullanın. Mikrodalga pişirme sırasında yiyecek ve içecekler için metal kapların kullanılmasına izin verilmez. Üretici mikrodalga pişirme için uygun metal kapların boyut ve şekillerini belirtmesi durumunda bu gereksinim geçerli değildir.
 2. Mikrodalga ışınları metallerden geçemediği için metal malzemeler veya metal çerçeveli kaplar kullanılmamalıdır.
 3. Tutuşmaya ve/veya yangına sebep olabilecek küçük metal parçaları içerebileceğinden mikrodalga pişirme sırasında geri dönüştürülmüş kağıt ürünleri kullanmayın.
 4. Köşe kısımlarında bulunan yiyeceklerin çok fazla pişebileceği düşünülerek kare/dikdörtgen kaplar yerine yuvarlak/oval kapların kullanılması tavsiye edilir.
 5. Açıkta kalan bölgelerin çok fazla pişmesini önlemek için ince şerit şeklinde alüminyum folyolar kullanılabilir. Fakat çok fazla kullanmamaya dikkat edin ve folyo ile fırın boşluğu arasında 1 inç (2,54 cm) mesafe bırakın.
- Aşağıda doğru malzemelerin genel bir listesi verilmiştir.

Pişirme kapları	Mikrodalga	Izgara
Isiya dayanıklı cam	Evet	
Isiya dayanıklı olmayan cam	Hayır	
Isiya dayanıklı seramik	Evet	Metal kenarlı veya sırlı seramikleri kesinlikle kullanmayınız.
Isiya dayanıklı plastik	Evet	Uzun süre mikrodalgada pişirme için kullanılamaz
Plastik film	Evet	Aşırı sıcaklık filme zarar verebileceğinden et veya pırlola pişirirken kullanılmamalıdır.
Metal raf	Hayır	
Alüminyum folyo ve folyo kaplar	Hayır	

4 Kullanım

4.1 Kontrol paneli



Pişirmeden önce

Fişe takılınca ekran ışığı yanacak, daha sonra bekleme durumunu girince ekranda 1:00 yazacak.

4.2 Mikrodalga işlevi

Beş adet ısıtma gücü düzeyi bulunuyor, sırasıyla 100P, 80P, 50P, 30P ve 10P.

1. "Mikrodalga" düğmesine arka arkaya basın ve istediğiniz mikrodalga gücünü seçin.
2. 0~9 rakamlarını kullanarak pişirme süresini girin, maksimum girilebilen süre 99:99'dır.
3. Pişirme süresini girdikten sonra, "BAŞLA/+30s" düğmesine basarak işlemi başlatın.
4. İşlemin tamamlandığını bildiren bir uyarı sesi gelecektir.

YÜKSEK	%100 güç çıkışı	(Hızlı ve eksiksiz bir pişirme için uygundur)
Orta Yüksek	%80 güç çıkışı	(Orta hızda pişirme için uygundur)
Orta	%50 güç çıkışı	(Buharda pişirme için uygundur)
Orta Düşük	%30 güç çıkışı	(Buz çözme işlemi için uygundur)
DÜŞÜK	%10 güç çıkışı	(Sıcak tutmak için uygundur)



- Ayarlanılabilir maksimum süre 99 dakika 99 saniyedir.
- Eğer işlem sırasında yiyeceğinizi çevirirseniz, "BAŞLA/+30s" düğmesine bir defa basın, böylelikle önceden belirlenmiş pişirme işlemi devam edecektir.
- Eğer yiyeceği belirlenen süre bitmeden önce çıkarmak isterseniz, bir sonraki kullanım sırasında istenmeyen bir işlemle karşılaşmak için, "DUR" düğmesine bir defa basarak önceden belirlenmiş prosedürü kaldırmanız gerekmektedir.

4 Kullanım



- Mikrodalga pişirmesi esnasında ızgara tepsisini asla kullanmayın.
- Fırını asla boş çalıştırmayın.
- Mikrodalga fırın maksimum güçte kullanılırken, kullanım ömrünü uzatmak üzere belirli bir pişirme süresinin ardından güç otomatik olarak azaltılacaktır.

4.3 Buz çözme

Sırasıyla dEF1 ve dEF2 olmak üzere iki buz çözme modu bulunur. dEF1 ağırlığa göre buz çözme işlevidir, dEF2 ise süreye göre buz çözme işlevidir.

1. “Defrost” düğmesine basarak ağırlığa göre veya süreye göre buz çözme işlemi seçimi yapın, ekranda “dEF1” veya “dEF2” yazacaktır.
2. 0~9 rakamlarına basarak yiyeceğin ağırlığını veya buz çözme süresini girin.
3. dEF1 modu için ağırlık aralığı 100 g'dan 1500 g'a kadardır ve dEF2 modu için girilebilecek maksimum değer 99:99'dır.
4. Giriş yaptıktan sonra, “BAŞLA/+30s” düğmesine basarak işlemi başlatın.
5. İşlemin tamamlandığını bildiren bir uyarı sesi gelecektir.

dEF1 ağırlığa göre buz çözme modunun, buz çözme işlemi sırasında yiyeceğin çevrilmesini hatırlatan bir uyarı sesi bulunuyor.

Aşağıda bazı buz çözme süresi tavsiyeleri bulunuyor:

dEF1	Buz çözme için ağırlık aralığı 100 g ıla 1500 g'dır.
dEF2	Buz çözme için maksimum süre 99:99'dır



- İşlem sırasında, eşit bir çözümler elde etmek adına yiyeceğin çevrilmesi şarttır.
- Genellikle buz çözme işlemi için yiyeceği pişirmek için gerekenden daha fazla zaman gerekir.



- Yiyecek bıçakla kesilebiliyorsa buz çözme işlemi tamamlanmış demektir.
- Mikrodalga birçok yiyeceğin 4 cm kadar derinine ulaşır.



Buzu çözülen yiyecekler en kısa zamanda tüketilmelidir. Yeniden buzdolabına konması ve dondurulması önerilmez.

4.4 Otomatik pişirme

Sekiz adet otomatik menü bulunur, bunlar sırasıyla patates, makarna, pizza, sebze, içecek, et ve balıktır.

1. İsteddiğiniz menüyü seçin.
2. İstenen yiyecek ağırlığını seçmek için, arka arka basılması gerekecek olan doğru düğmeyi seçin, ekranda denk düşen ağırlık gözükecektir.
3. “BAŞLA/+30s” düğmesine basarak işlemi başlatın.
4. İşlemin tamamlandığını bildiren bir uyarı sesi gelecektir.

4 Kullanım

Ekran	Tür	Yöntem
A.1	Patates	Verilen ağırlık seçenekleri 250 g, 500 g ve 750 g'dır.
A.2	Makarna	Verilen ağırlık seçenekleri 50 g, 100 g ve 150 g'dır.
A.3	Pizza	Verilen ağırlık seçenekleri 200 g ve 400 g'dır.
A.4	Patlamış mısır	Verilen ağırlık seçeneği 100 g'dır.
A.5	Sebze	Verilen ağırlık seçenekleri 200 g, 400 g ve 600 g'dır.
A.6	İçecek	Verilen ağırlık seçenekleri, her biri yaklaşık 250 ml olmak üzere, 1 bardak, 2 bardak veya 3 bardaktır.
A.7	Et	Verilen ağırlık seçenekleri 200 g, 400 g ve 600 g'dır.
A.8	Balık	Verilen ağırlık seçenekleri 200 g, 400 g ve 600 g'dır.



- Yiyeceğin, pişirmeden önceki sıcaklığı 20-25 °C kadardır. Yiyeceğin, pişirmeden önceki sıcaklığının daha az veya daha çok olmasına bağlı olarak pişirme süresinin artırılması veya azaltılması gerekecektir.
- Yiyeceğin sıcaklığı, ağırlığı ve şekli pişirmeyi önemli ölçüde etkileyecektir. Yukarıdaki menüde belirtilen unsurlardan farklı bir durum söz konusu ise en iyi sonucu elde etmek için pişirme süresini değiştirebilirsiniz.

4.5 Zamanlayıcı

Hazırda bekleme modunda, ayarlama arayüzünü girmek için bu düğmeye, ardından da geri sayım işlevi ikonuna basmanızla birlikte, ekranda "0:00" yazacaktır.

- 1.0~9 rakamlarını kullanarak süreyi girin. Girilebilecek maksimum süre 99:99'dur.

2. Süreyi ayarladıktan sonra, "BAŞLA/+30s" düğmesine basarak geri sayımı başlatın.
3. Geri sayımın tamamlandığını bildiren bir uyarı sesi gelecektir.

4.6 Tekrar ısıtma

Yeniden ısıtma işlevi, esasen kullanıcıların yiyecekleri ağırlıklarına göre ısıtmalarına olanak tanımak için vardır.

1. "Tekrar ısıtma" düğmesine arka arkaya basın, uygun yiyecek ağırlığını seçin, ağırlık aralığı seçenekleri 200 g, 400 g, 600 g, 800 g ve 1000 g'dır.
2. Ağırlığı seçtikten sonra, "BAŞLA/+30s" düğmesine basarak işlemi başlatın, işlem tamamlandığında bir uyarı sesi gelecektir.

4.7 Hızlı pişirme

Hızlı pişirmenin iki yolu vardır.

- Hazırda bekleme modunda, direkt olarak 1~6 rakamlarına basarak mikrodalga fırını çalıştırabilirsiniz. Çalıştırma süresi 1~6 dakikadır, bu da demek oluyor ki, 1 dakikalık işlem için 1'e, 2 dakikalık işlem için 2'ye vs. basacaksınız. Süreyi seçtikten sonra, "BAŞLA/+30s" düğmesine basarak işlemi başlatın, işlem tamamlandığında bir uyarı sesi gelecektir.
- Hazırda bekleme modunda, yiyeceği yerleştirdikten ve kapağını kapadıktan sonra, mikrodalgayı hızlıca çalıştırmak için "BAŞLA/+30s" düğmesine basın. Varsayılan çalıştırma süresi 30 saniyedir. Çalıştırma sürecinde, "BAŞLA/+30s" düğmesine, tek sefere mahsus olmak üzere, 30 saniye boyunca basın. İşlemin tamamlandığını bildiren bir uyarı sesi gelecektir.

4.8 0/Saat

Saat işlevi ve "0" düğmesi için aynı düğme kullanılmaktadır. Saat işlevi 24 saatlik bir sistemi ifade eder.

Saat işlevinin çalışması şu şekildedir:

4 Kullanım

Hazırda bekleme modunda, “0/Saat” düğmesine 3 saniyeden fazla basılı tutun ve saat ayarlama arayüzünü girin, doğrudan 0~9 rakamlarını kullanarak saat girişini yapın ve “BAŞLA/+30s” düğmesine basarak belirlenen süreyi onaylayın ve saat ayarlama modundan çıkın.

4.9 Durdurma

Pişirme ayarları sürecinde, “DUR” düğmesine basarak ayarlamaları iptal edebilir ve hazırda bekleme durumuna geri dönebilirsiniz. Mikrodalga fırını çalıştırma sürecinde, işleme, “DUR” düğmesine basarak ara verebilirsiniz. Hazırda bekleme durumunda, “DUR” düğmesine tekrar basarak işlevi iptal edebilir ve hazırda bekleme durumuna geri dönebilirsiniz.

4.10 BAŞLA/+30s

Pişirme süresini ve yiyecek ağırlığını ayarladıktan sonra, “BAŞLA/+30s” butonuna basarak mikro-

dalga fırınına hemen çalıştırabilirsiniz.

Çalıştırma durumunda, süreyi arttırmak için “BAŞLA/+30s” butonuna basabilirsiniz, bir defa basmak 30 saniye arttıracaktır, fakat menü modu ve ağırlık buz çözme modunda süre ayarlanamaz.

Ara verme durumunda, pişirme modundan önce, “BAŞLA/+30s” düğmesine basarak mikrodalga fırının işlemine devam ettirilebilir.

4.11 Çocuk kilidi

Temizlik yaparken veya çocukların fırını tek başlarına çalıştırmalarını engellemek için kontrol panelini kilitlemek üzere bu özelliği kullanın. Bu modda hiçbir düğme çalışmaz.

- **Kilidi ayarlama:** “DUR” düğmesine yaklaşık olarak 3 saniye boyunca basılı tutun.
- **Kilidi iptal etme:** “DUR” düğmesine yaklaşık olarak 3 saniye boyunca basılı tutun.

5 Temizlik ve bakım

5.1 Temizlik ve bakım



UYARI: Cihazı temizlemek için kesinlikle benzin, çözücü, aşındırıcı temizlik maddeleri, metal nesnelere veya sert fırçalar kullanmayın.



UYARI: Cihazı veya güç kablosunu kesinlikle suya veya başka bir sıvıya daldırmayın.

1. Temizlik işlemine başlamadan önce fırınınızı kapatın ve elektrik fişini duvarda bulunan prizden çıkarın.
2. Cihazın tamamen soğumasını bekleyin.
3. Fırının iç kısmını temiz tutun. Yiyecekler sıçrarsa veya dökülen sıvılar fırın yüzeylerine yapışırsa bunları ıslak bir bezle silin. Fırının çok kirlendiyse hafif bir deterjanla temizlenebilir. Kapak yüzeyini kirlenebileceğini, çizilebileceğini veya matlaştırabileceğini göz önüne alarak sprey ve diğer sert temizleyicileri kullanmaktan kaçının.

5 Temizlik ve bakım

4. Dış yüzeyler ıslak bir bezle silinmelidir. Fırınınızın içinde bulunan çalışma parçalarının hasar görmesini engellemek için havalandırma deliklerine su sızdırılmamalıdır.
5. Lekeleri ve döküntüleri gidermek için her iki tarafta bulunan kapakları ve pencereleri, kapak contalarını ve bitişik parçaları sık aralıklarla ıslak bir bezle silin. Aşındırıcı temizleyiciler kullanmayın.
6. Buharlı temizleyiciler kullanılmamalıdır.
7. Kontrol panelinin ıslanmasına izin vermeyin. Kontrol panelini yumuşak ve ıslak bir bezle temizleyin. Kontrol panelini temizlerken fırının yanlışlıkla çalışmasına fırsat vermemek için fırınınızın kapağını açık tutun.
8. Fırın kapağının içinde veya dışının etrafında buğulanma olursa fırın kapağını yumuşak bir bezle silin. Fırın yüksek nemli ortamlarda çalıştırıldığında kapakta buğulanma olabilir. Bu normal bir durumdur.
9. Cam tepsiyi sık aralıklarla temizlemek için yerinden çıkarmak gereklidir. Tepsiyi köpüklü suyla veya bulaşık makinesinde yıkayın.
10. Fırının çalışırken çok gürültü yapmasını önlemek için döner halkayı ve fırın tabanını düzenli bir şekilde temizlemelisiniz. Fırının alt yüzeyini hafif bir deterjanla silmeniz yeterlidir. Döner halka hafif köpüklü suyla veya bulaşık makinesinde yıkanabilir. Döner halkayı temizlemek için fırın boşluğunun tabanından çıkardıktan sonra yeniden doğru şekilde yerleştirdiğinizden emin olun.
11. İçinde kabuğuyla birlikte limon suyu dolu olan mikrodalga ışınları geçiren derin bir kâseyi 5 dakika boyunca mikrodalgaya maruz bırakarak kokulardan kurtulabilirsiniz. Dikkatli bir şekilde silin ve yumuşak bir bezle kurutun.
12. Fırınınızın lambasını değiştirmeniz gerekirse lütfen bir bayi ile irtibata geçin.
13. Fırın düzenli bir şekilde temizlenmelidir ve yiyecek döküntüleri giderilmelidir. Fırını temiz tutmamak yüzeyin kalitesini kaybetmesine sebep olarak cihazın ömrünü olumsuz etkileyebilir ve muhtemel bir tehlikeli durum

doğurabilir.

14. Lütfen bu cihazı ev atıkları ile aynı çöp kutusuna atmayın. Bu cihaz belediye tarafından hizmete sunulan özel atık merkezlerine atılmalıdır.
15. Mikrodalga fırın, ızgara fonksiyonu ile ilk kez kullanıldığında, hafif duman ve kokuya neden olabilir. Bu normal bir durumdur, çünkü fırın makine yağı ile kaplı çelik levhadan yapılmıştır ve yeni fırın bu makine yağının yanması nedeniyle duman ve koku üretecektir. Bu durum, bir süre kullanıldıktan sonra ortadan kaybolacaktır.

5.2 Saklama

- Cihazı uzun süre kullanmayı düşünmüyorsanız lütfen dikkatle saklayın.
- Cihazın fişini çektiğinizden, cihazın soğuduğundan ve tamamen kuru olduğundan emin olun.
- Cihazı serin ve kuru yerde saklayın.
- Cihazı çocukların ulaşamayacağı yerlerde saklayın

5.3 Taşıma ve nakliye

- Taşıma ve nakliye sırasında, cihazı orijinal paketine koyun. Cihaz paketi cihazı fiziksel hasarlara karşı korur.
- Cihazın ya da ambalajın üzerine ağır nesnelere koymayın. Cihaz hasar görebilir.
- Cihazın düşürülmesi cihazın çalışmamasına veya kalıcı hasar görmesine neden olabilir.

6 Tüketici hizmetleri

Müşteri Hizmetleri

Müşteri Memnuniyeti Politikası

- Müşterilerimizin istek ve önerilerini her kanaldan karşılamaktan mutluluk duyarız.

Kanallarımız:

* Çağrı Merkezimiz: 0850 210 0 888

(Sabit telefonlardan veya cep telefonlarından alan kodu çevirmeden arayın*)

* Diğer Numaramız: 0216 585 8 888

- Çağrı Merkezimiz haftanın 7 günü 24 saat hizmet vermektedir.

- Çağrı Merkezimiz ile yaptığınız görüşmeler iletişim hizmeti aldığınız operatör firma tarafından sizin için tanımlanan tarifeye göre ücretlendirilir.

- Sabit veya cep telefonlarınızdan alan kodu tuşlamadan çağrı merkezi numaramızı arayarak ürününüz ile ilgili arzu ettiğiniz hizmeti talep edebilirsiniz.

* Whatsapp Numaramız: 0544 444 0 888

* Faks Numaramız: 0216-423-2353

* Web Adresimiz:

- www.arcelik.com.tr

* e-posta Adresimiz:

- musteri.hizmetleri@arcelik.com.tr

* Sosyal Medya Hesaplarımız:

- <https://www.instagram.com/arcelik/>

- <https://twitter.com/arcelik>

- <https://www.facebook.com/arcelik/>

- <https://www.youtube.com/user/tvarcelik>

* Posta Adresimiz:

- Arçelik A.Ş. Karaağaç Caddesi No:2-6,
34445, Söğütözü / İSTANBUL

* Bayilerimiz,

- <https://www.arcelik.com.tr/arcelik-bayileri>

* Yetkili Servislerimiz,

- <https://www.arcelik.com.tr/yetkili-servisler>

- Tüm yetkili servis istasyonu bilgilerimiz, Ticaret Bakanlığı tarafından oluşturulan "Servis Bilgi Sistemi"nde (www.servis.gov.tr) yer almaktadır.

- Yedek parça malzemeleri yetkili servislerimizden temin edilebilir.

- Online servis randevusu almak için,

- <http://digital.arcelik.com.tr>

- Müşterilerimizden iletilen istek ve önerilerin Arçelik'e ulaştığı bilgisini, müşteri profili ayrımı yapılmaksızın kendilerine 24 saat içinde veriz.
- Müşteri Hizmetleri sürecimiz:
Müşterilerimizin istek ve önerilerini;
 - * İzlenebilir, raporlanabilir, şeffaf ve güvenli tek bir bilgi havuzunda toplarız.
 - * Yasal düzenlemelere uygun, objektif, adil ve gizlilik içinde ele alır ve değerlendiririz.
 - * Bu geri bildirimleri süreçlerimizin daha mükemmel hale getirilmesinde kullanırız.
- Arçelik olarak, mükemmel müşteri deneyimini yaşatmayı ana ilke olarak kabul eder, müşteri odaklı bir yaklaşım benimseriz.
- Bütün süreçlerimizi yönetim sistemi ile entegre ederek birbirini kontrol eden bir yapı geliştirilmesini sağlarız.
Yönetim hedeflerini de bu sistem üzerinden besleriz.

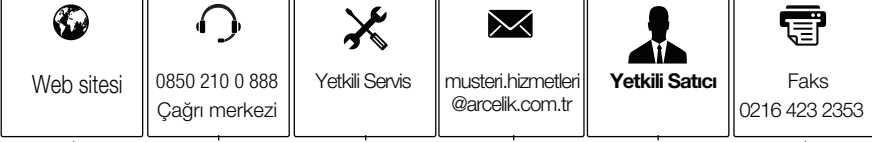
Aşağıdaki önerilere uymanızı rica ederiz.

- Ürününüzü aldığınızda Garanti belgesini Yetkili Satıcınıza onaylattırınız.
- Ürününüzü kullanma kılavuzu esaslarına göre kullanınız.
- Ürününüz ile ilgili hizmet talebiniz olduğunda yukarıdaki telefon numaralarından Çağrı Merkezimize başvurunuz.
- Hizmet için gelen teknisyene "teknisyen kimlik kartı"nı sorunuz.
- İşiniz bittiğinde Yetkili servis teknisyeninden "Hizmet Fişi" istemeyi unutmayınız. alacağınız "Hizmet Fişi", ilerde ürününüzde meydana gelebilecek herhangi bir sorunda size yarar sağlayacaktır.
- Ürünün kullanım ömrü: 10 yıldır. (Ürünün fonksiyonunu yerine getirebilmesi için gerekli yedek parça bulundurma süresi)

6 Tüketici hizmetleri

Hizmet talebinin değerlendirilmesi

1 Müşteri Başvurusu



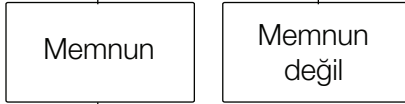
2 Başvuru kaydı

Başvuru Konusu
Müşteri Adı, Soyadı
Müşteri Telefonu
Müşteri Adresi

3 Hizmet talebinin alınması

- Hizmet talebi analizi
- Hizmet hakkında müşterinin bilgilendirilmesi (Keşif,nakiye,montaj,bilgi,onarım,değişim vb.)
- Hizmet hakkında gerekli işlemin gerçekleştirilmesi

4 Müşteri memnuniyetinin alınması



5 Başvuru kaydının kapatılıp, bilgilerin saklanması

Bu kılavuzu okumadan ürününüzü çalıştırmayınız.

Ürününüz ile ilgili garanti şartları, kullanımı ve sorun giderme yöntemleri kılavuzda yer almaktadır.

Uygun Kullanım ve Garanti ile İlgili Dikkat Edilmesi Gereken Hususlar;

Aşağıda belirtilen sorunların giderilmesi ücret karşılığında yapılır. Bu durumlar için garanti şartları uygulanmaz;

1. Kullanım hatalarından kaynaklanan hasar ve arızalar,
 2. Malın tüketiciye tesliminden sonraki yükleme, boşaltma, taşıma vb. sırasında oluşan hasar ve arızalar,
 3. Malın kullanıldığı yerin elektrik (priz, gerilim, topraklama vb.), su (su basıncı, musluk vb.), doğalgaz, telefon, internet vb. şebekesi ve/veya altyapısı (gider, zemin, ortam vb.) kaynaklı meydana gelen hasar ve arızalar,
 4. Doğa olayları ve yangın, su baskını vb. kaynaklı meydana gelen hasar ve arızalar,
 5. Malın tanıtma ve kullanma kılavuzlarında yer alan hususlara aykırı kullanılmasından kaynaklanan hasar ve arızalar,
 6. Malın, 6502 sayılı Tüketicinin Korunması Hakkındaki Kanununda tarif edilen şekli ile ticari veya mesleki amaçlarla kullanımı durumunda ortaya çıkan hasar ve arızalar,
 7. Mala yetkisiz kişiler tarafından bakım, onarım veya başka bir nedenle müdahale edilmesi
- Durumlarında mala verilmiş garanti sona erecektir.

Garanti uygulaması sırasında değiştirilen malın garanti süresi, satın alınan malın kalan garanti süresi ile sınırlıdır.

Ürününüz Arçelik A.Ş adına Zhongshan Donlim Weili Electrical Appliances Co., Ltd., No.1 Donlim Weili Road, Fusha Indust, Zhongshan City, Guangdong Province, Tel: + 86-760-2507078 tarafından üretilmiştir.

Menşei: P.R.C.

GARANTİ ŞARTLARI

- Garanti süresi, malın teslim tarihinden itibaren başlar ve 2 yıldır.
- Malın tanıtma ve kullanma kılavuzunda gösterildiği şekilde kullanılması ve Arçelik A.Ş.'nin yetkili kıldığı servis çalışanları dışındaki şahıslar tarafından bakım, onarım veya başka bir nedenle müdahale edilmemiş olması şartıyla, malın bütün parçaları dahil olmak üzere tamamını; malzeme, işçilik ve üretim hatalarına karşı malın teslim tarihinden itibaren yukarıda belirtilen süre kadar garanti eder.
- Malın ayıplı olduğunun anlaşılması durumunda tüketici, 6502 sayılı Tüketicinin Korunması Hakkında Kanununun 11 inci maddesinde yer alan;
 - Sözleşmeden dönme,
 - Ücretsiz onarılmasını isteme,
 - Satış bedelinden indirim isteme,
 - Satılmanın ayıpsız bir misli ile değiştirilmesini isteme, haklarından birini kullanabilir.
- Tüketicinin bu haklardan ücretsiz onarım hakkını seçmesi durumunda satıcı; işçilik masrafı, değiştirilen parça bedeli ya da başka herhangi bir ad altında hiçbir ücret talep etmeksizin malın onarımını yapmak veya yaptırmakla yükümlüdür. Tüketici ücretsiz onarım hakkını üretici veya ithalatçıya karşı da kullanabilir. Satıcı, üretici ve ithalatçı tüketici bu hakkını kullanmasından müteselsilen sorumludur.
- Tüketicinin, ücretsiz onarım hakkını kullanması halinde malın;
 - Garanti süresi içinde tekrar arızalanması,
 - Tamiri için gereken azami sürenin aşılması,
 - Tamirinin mümkün olmadığı, yetkili servis istasyonu, satıcı, üretici yada ithalatçı tarafından bir raporla belirlenmesi durumlarında;

tüketici malın bedel iadesini, ayıp oranında bedel indirimini veya imkân varsa malın ayıpsız misli ile değiştirilmesini satıcıdan talep edebilir.

Satıcı, tüketicinin talebini reddedemez. Bu talebin yerine getirilmemesi durumunda satıcı, üretici ile ithalatçı müstesilsilen sorumludur.

- İlgili mevzuatlarda belirlenen kullanım ömrü süresince malın azami tamir süresi 20 iş gününü, geçemez. Bu süre, garanti süresi içerisinde mala ilişkin arızanın yetkili servis istasyonuna veya satıcıya bildirim tarihinde, garanti süresi dışında ise malın yetkili servis istasyonuna teslim tarihinden itibaren başlar. Garanti kapsamı içerisindeki malın arızasının 10 iş günü içerisinde giderilememesi halinde, üretici veya ithalatçı; malın tamiri tamamlanıncaya kadar, benzer özelliklere sahip başka bir malı tüketicinin kullanımına tahsis etmek zorundadır. Benzer özelliklere sahip başka bir malın tüketici tarafından istenmemesi halinde üretici veya ithalatçılar bu yükümlülüğünden kurtulur. Malın garanti süresi içerisinde arızalanması durumunda, tamirde geçen süre garanti süresine eklenir.
- Malın kullanma kılavuzunda yer alan hususlara aykırı kullanılmasıyla kaynaklanan hasar ve arızalar garanti kapsamı dışındadır.
- Tüketici, garantiden doğan haklarının kullanılmasına ile ilgili olarak çıkabilecek uyumsuzluklarda yerleşim yerinin bulunduğu veya tüketici işleminin yapıldığı yerdeki Tüketici Hakem Heyetine veya Tüketici Mahkemesine başvurabilir.
- Satıcı tarafından bu Garanti Belgesinin verilmemesi durumunda tüketici, Ticaret Bakanlığı Tüketicinin Korunması ve Piyasa Gözetimi Genel Müdürlüğüne başvurabilir.

Üretici veya İthalatçı Firmamız:

Unvanı: Arçelik A.Ş.
Adresi: Arçelik A.Ş. Karaağaç Caddesi No:2-6,
34445, Sıtlüce / İSTANBUL
Telefonu: 0216 585 8 888
Faks: 0216 423 2353
web adresi: www.arçelik.com.tr

Malın:

Markası: Arçelik
Cinsi: Mikrodalga Fırın
Modeli: MD 310 DS
Bandrol ve Seri No:
Garanti Süresi: 2 YIL
Azami Tamir Süresi: 20 İş günü

GENEL MÜDÜR

**Arçelik A.Ş.**

GENEL MÜDÜR YRD.

**Satıcı Firmamızın:**

Unvanı:
Adresi:
Telefonu:
Faks:
e-posta

Fatura Tarih ve Sayısı:
Teslim Tarihi ve Yeri:
Yetkilinin İmzası:
Firmamızın Kaşesi:

Bu bölümü, ürünü aldığınız Yetkili Satıcı imzalayacak ve kaşeyecektir.