

Contents

Before using

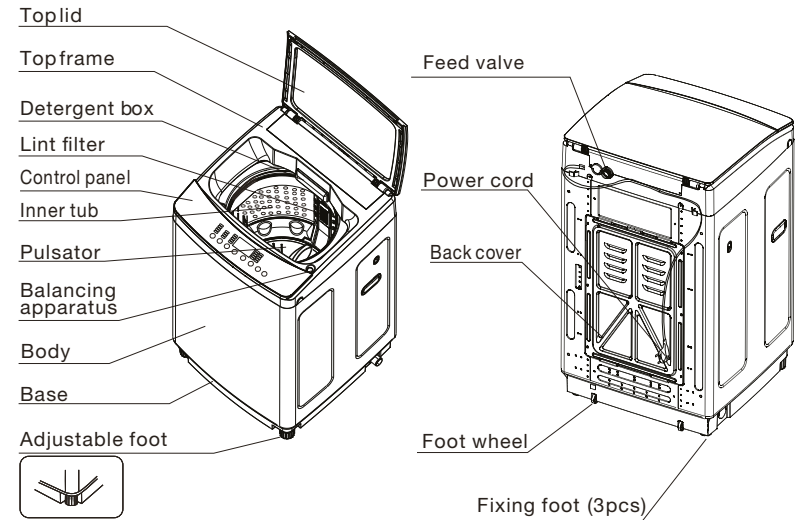
Parts name.....	1
Cautions.....	2
Installation and adjustment.....	4
How to use drainpipe.....	5
Water inlet installation.....	6
Operation	
Preparation before operation.....	8
Load laundry.....	9
Use of detergent.....	9
Control panel instructions.....	10
Operation steps.....	12
Maintenance.....	13
Troubleshooting.....	14
Other functions.....	16

Specifications

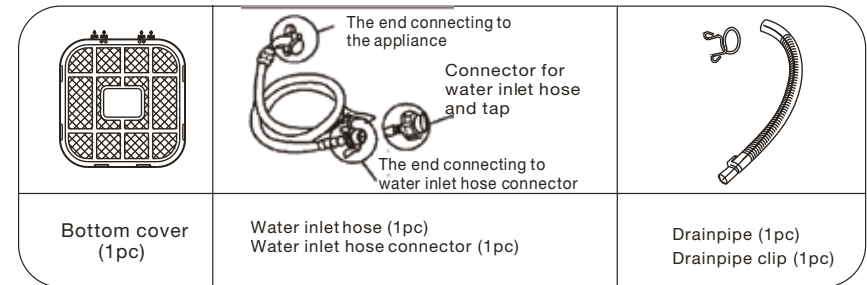
Model	DWT-9060 EZ
Rated voltage and frequency	220V~· 50Hz
Water level/water volume (about)	60
Product dimension (WxDxH)	530x560x950 (mm)
Tub dimension (Dia x H)	440x330 (mm)
Rated input power-rated voltage	Spin 310 W, Wash 330 W, 220-240 V
Inlet pressure	0.03MPa~0.85MPa

Parts name

Before using



Accessories



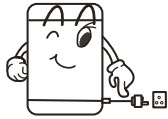
Symbol definition

<p>Warning symbols</p>	<p>Pay special attention to the warning symbols. There may be serious risks to body safety or damages to the washing machine, if not followed.</p>
<p>Forbidden symbols</p>	<p>Please stop doing the laundry in case of this symbol, otherwise it will damage the appliance or injure your body.</p>

Cautions

Before using

Please insert the plug into the power socket with voltage rating 220V A/C.



Always unplug the appliance and turn off the water when the power is cut, the machine is moving or getting cleaned, or it is not in use. Do not insert or pull off the plug with wet hands.



Do not bend, stretch, twist, strap, change, press or rip the electric cable. If the electric cable or plug is damaged or the socket becomes loose, they must be repaired or changed by our appointed repair stations or the professionals of our post-sale service department to avoid danger. The pin of the plug must remain clean. Please clean it carefully with dry cloth, if it is dirty.



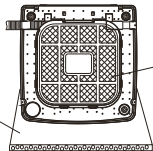
Do not install the washing machine in bathroom or any other damp places. Do not wash the machine with water and do not put wet clothes on the control panel film.



Do not use water hotter than 50°C.



If the machine is placed on a carpeted floor, please adjust the feet in order to allow air to circulate freely.



Ventilation holes at the bottom

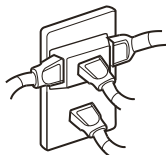
Soft item



Do not wash raincoat, bike cover, feather dress and such waterproof laundry as it will cause unusual vibrations during spinning.



Do not share the same socket with other electric appliances. Do not use a damaged plug or a loose socket.



Cautions

Before using

Do not put your hands while the machine is working. It is dangerous even if the speed is very slow. Take special care of the children and forbid them to climb onto the washing machine.



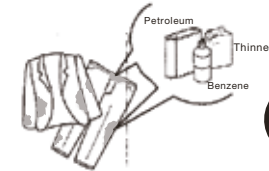
It is dangerous to alter the specifications or attempt to modify this product in any way.



Do not overload the appliance or put any hot items (such as the kettle with hot water) on the washing machine.



Garments, which have been in contact with volatile petroleum products, should not be washed in the machine.



This appliance is not intended for use by persons (including children) with reduced physical, sensory or mental capabilities or lack of experience and knowledge, unless they have been given supervision or instruction concerning the use of the appliance by a person responsible for their safety. Children should be supervised to ensure that they do not play with the appliance.



Keep the appliance away from direct sunlight and heat sources like the heater.



Any objects such as coins, safety pins, nails, screws, stones or any other hard, sharp materials can cause extensive damage and must not be placed in the machine.



- Before washing, please ensure the tap is open and the inlet hose is installed properly.
- It is suggested to use low foam washing powder.