

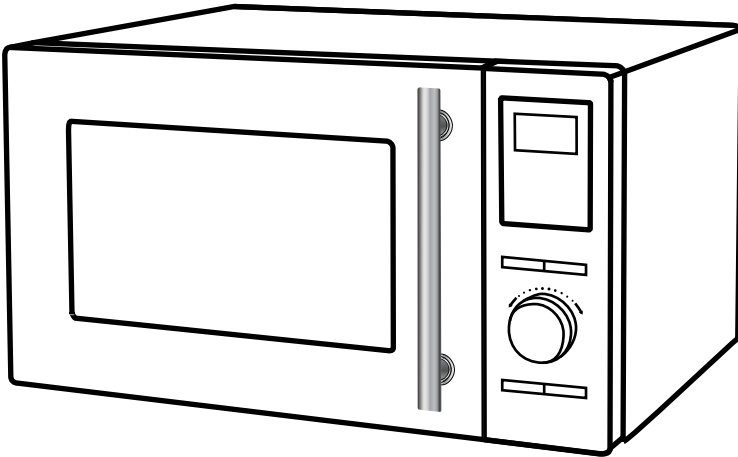


Before using your Microwave Oven, please read this manual carefully and keep it for future reference.

# Microwave Oven

## User Manual

**MODEL: DW 395 HCG**



### Read This Manual

Inside, you will find many helpful hints on how to use and maintain your Microwave Oven properly. Just a little preventive care on your part can save you a great deal of time and money over the life of your Microwave Oven.

# CONTENT

Content	1
Precautions To Avoid Possible Exposure To Excessive Microwave Energy	2
Important Safety Instructions	2
Installation Guide	5
Grounding Instructions	5
Radio Interference	6
Before Calling For Service	6
Cooking Techniques	7
Cooking Utensils Guide	7
Specifications	8
Product Diagram	8
Control Panel	9
Operation Instructions	10
Setting Clock Time	10
Microwave Cooking	10
Express Cooking	11
Grill	11
Combination	11
Disinfect Function	11
Deodorize Function	12
Eco Function	12
Auto Defrost	12
Multi-stage Cooking	12
Child Lock	13
Auto Cook	13
Cleaning And Care	14

## PRECAUTIONS TO AVOID POSSIBLE EXPOSURE TO EXCESSIVE MICROWAVE ENERGY

1. Do not attempt to operate this oven with the door open since open-door operation can result in harmful exposure to microwave energy. It is important not to defeat or tamper with the safety interlocks.
2. Do not place any object between the oven front face and the door or allow soil or cleaner residue to accumulate on sealing surfaces.
3. Do not operate the oven if it is damaged. It is very important that the oven door closes properly and that there is no damage to the:
  - a) Door (including any bent),
  - b) Hinges and latches (broken or loosened),
  - c) Door seals and sealing surfaces.
4. The oven should not be adjusted or repaired by anyone except qualified service personnel.

## IMPORTANT SAFETY INSTRUCTIONS

When using electrical appliance basic safety precautions should be followed, including the following:

**WARNING** -To reduce the risk of burns, electric shock, fire, injury to persons or exposure to excessive microwave energy:

1. Read all instructions before using the appliance and keep for future reference.
2. Use this appliance only for its intended use as described in the manual. Do not use corrosive chemicals or vapors in this appliance. This type of oven is specifically designed to heat, cook or dry food. It is not designed for industrial or laboratory use.
3. Do not operate the oven when empty.
4. Do not operate this appliance if it has a damaged cord or plug, if it is not working properly, or if it has been damaged or dropped. If the supply cord is damaged, it must be replaced by the manufacturer or its service agent or a similarly qualified person in order to avoid a hazard.
5. **WARNING** - Only allow children to use the oven without supervision when adequate instructions have been given so that the child is able to use the oven in a safe way and understands the hazards of improper use.
6. **WARNING** - When the appliance is operated in the combination mode, children should only use the oven under adult supervision due to the temperatures generated

7. To reduce the risk of fire in the oven cavity:
  - When heating food in plastic or paper container, keep an eye on the oven due to the possibility of ignition.
  - Remove wire twist-ties from paper or plastic bags before placing bag in oven.
  - If smoke is observed, switch off or unplug the appliance and keep the door closed in order to stifle any flames.
  - Do not use the cavity for storage purposes. Do not leave paper products, cooking utensils, or food in the cavity when not in use.
  - The microwave oven is intended for heating food and beverages. Drying of clothing and heating of warming pads, slippers, sponges, damp cloth and similar may lead to risk of injury, ignition or fire.
8. **WARNING** - Liquid or other food must not be heated in sealed containers since they are liable to explode.
9. Microwave heating of beverage can result in delayed eruptive boiling, therefore care has to be taken when handle the container.
10. Do not fry food in the oven. Hot oil can damage oven parts and utensils and even result in skin burns.
11. Eggs in their shells and whole hard-boiled eggs should not be heated in microwave ovens since they may explode even after microwave heating has ended.
12. Pierce foods with heavy skins such as potatoes, whole squashes, apples and chest nuts before cooking.
13. The contents of feeding bottles and baby jars should be stirred or shaken and the temperature should be checked before serving in order to avoid burns.
14. Cooking utensils may become hot because of heat transferred from the heated food. Potholders may be needed to handle the utensils.
15. Utensils should be checked to ensure that they are suitable for use in microwave oven.
16. **WARNING** - It is hazardous for anyone other than a trained person to carry out any service or repair operation which involves the removal of any cover which gives protection against exposure to microwave energy.
17. This Microwave complies with EN 55011/CISPR 11, in this standard it belongs to Class B Group 2 classification. Group 2 equipment: Group 2 contains all ISM RF equipment in which radio-frequency energy in the frequency range 9 kHz to 400 GHz is intentionally generated and used or only used locally, in the form of electromagnetic radiation, inductive and/or capacitive coupling, for the treatment of material, for inspection/analysis purposes, or for transfer of electromagnetic energy. Class B equipment is the equipment suitable for use in locations in residential environments and in establishments directly connected to a low voltage power supply network which supplies buildings used for domestic purposes.

18. This appliance is not intended for use by persons (including children) with reduced physical, sensory or mental capabilities, or lack of experience and knowledge, unless they have been given supervision or instruction concerning use of the appliance by a person responsible for their safety.
19. Children should be supervised to ensure that they do not play with the appliance.
20. The microwave oven is only used in freestanding.
21. **WARNING** - Do not install oven over a range cooktop or other heat-producing appliance. If installed, it could be damaged and the warranty would be void.
22. The microwave oven shall not be placed in a cabinet.
23. The door or the outer surface may get hot when the appliance is operating.
24. **WARNING** - Accessible parts may become hot during use. Young children should be kept away.
25. During use the appliances becomes hot. Care should be taken to avoid touching heating elements inside the oven, for cooking ranged and ovens.
26. The temperature of accessible surfaces may be high when the appliance is operating.
27. Appliance is not to be used by children or persons with reduced physical, sensory or mental capabilities, or lack of experience and knowledge, unless they have been given supervision or instruction.
28. **WARNING** - If the door or door seals are damaged, the oven must not be operated until it has been repaired by a competent person.
29. The appliances are not intended to be operated by means of an external timer or separate remote-control system.
30. The microwave oven is for household use only and not for commercial use.
31. Never remove the distance holder in the back or on the sides, as it ensures a minimum distance from the wall for air circulation.
32. Please secure the turntable before you move the appliance to avoid damages.
33. **CAUTION** - It is dangerous to repair or maintain the appliance by no other than a specialist because under these circumstances the cover has to be removed which assures protection against microwave radiation. This applies to changing the power cord or the lighting as well. Send the appliance in these cases to our service centre.
34. The microwave oven is intended for defrosting, cooking and steaming of food only.
35. Use gloves if you remove any heated food.
36. Caution - Steam will escape, when opening lids or wrapping foil.

37. This appliance can be used by children aged 8 years and above and persons with reduced physical, sensory or mental capabilities or lack of experience and knowledge if they have been given supervision or instruction concerning use of the appliance in a safe way and understand the hazards involved. Children shall not play with the appliance. Cleaning and user maintenance shall not be made by children unless they are aged 8 years and above and supervised.
38. If smoke is emitted, switch off or unplug the appliance and keep the door closed in order to stifle any flames.

## INSTALLATION GUIDE

1. Make sure that all the packing materials are removed from the inside of the door.
2. **WARNING** - Check the oven for any damage, such as misaligned or bent door, damaged door seals and sealing surface, broken or loose door hinges and latches and dents inside the cavity or on the door. If there is any damage, do not operate the oven and contact qualified service personnel.
3. This microwave oven must be placed on a flat, stable surface to hold its weight and the heaviest food likely to be cooked in the oven.
4. Do not place the oven where heat, moisture, or high humidity are generated, or near combustible materials.
5. For correct operation, the oven must have sufficient airflow. Allow minimum 20cm of free space necessary above the top surface of the oven and 5cm at both sides. The microwave oven rear plate must be placed close to the wall. Do not cover or block any openings on the appliance. Do not remove feet.
6. Do not operate the oven without glass tray, roller support, and shaft in their proper positions.
7. Make sure that the power supply cord is undamaged and does not run under the oven or over any hot or sharp surface.
8. The socket must be readily accessible so that it can be easily unplugged in an emergency.
9. Do not use the oven outdoors.

# GROUNDING INSTRUCTIONS

This appliance must be grounded. This oven is equipped with a cord having a grounding wire with a grounding plug. It must be plugged into a wall receptacle that is properly installed and grounded. In the event of an electrical short circuit, grounding reduces risk of electric shock by providing an escape wire for the electric current. It is recommended that a separate circuit, serving only the oven, be provided. Using a high voltage is dangerous and may result in a fire or other accident causing oven damage.

**WARNING** - Improper use of the grounding plug can result in a risk of electric shock.

## Note:

1. If you have any questions about the grounding or electrical instructions, consult a qualified electrician or service person.
2. Neither the manufacturer nor the dealer can accept any liability for damage to the oven or personal injury resulting from failure to observe the electrical connection procedures.

The wires in this cable mains are coloured in accordance with the following code:

Green and Yellow = EARTH

Blue = NEUTRAL

Brown = LIVE

# RADIO INTERFERENCE

Operation of the microwave oven can cause interference to your radio, TV, or similar equipment. When there is interference, it may be reduced or eliminated by taking the following measures:

1. Clean door and sealing surface of the oven.
2. Reorient the receiving antenna of radio or television.
3. Relocate the microwave oven with respect to the receiver.
4. Move the microwave oven away from the receiver.
5. Plug the microwave oven into a different outlet so that microwave oven and receiver are on different branch circuits.

# BEFORE CALLING FOR SERVICE

Before asking for service, please check each item below:

- Check to ensure the oven is plugged in securely. If not, remove the plug from the outlet, wait 10 seconds, and plug it in again securely.
- Check for a blown circuit fuse or a tripped main circuit breaker. If these seem to be operating properly, test the outlet with another appliance.

- Check to ensure the control panel is programmed correctly and the timer is set.
- Check to ensure the door is securely closed, engaging the door lock system. If the door is not properly closed, the microwave energy will not flow inside.

IF NONE OF THE ABOVE RECTIFIES THE SITUATION, THEN CONTACT A QUALIFIED TECHNICIAN. DO NOT TRY TO ADJUST OR REPAIR THE OVEN YOURSELF.

## **COOKING TECHNIQUES**

1. Arrange food carefully. Place thickest areas towards outside of dish.
2. Watch cooking time. Cook for the shortest amount of time indicated and add more as needed. Foods severely overcooked can smoke or ignite.
3. Cover foods while cooking. Covers prevent spattering and help foods to cook evenly.
4. Turn foods over once during microwave cooking to speed cooking of such foods as chicken and hamburgers. Large items like roasts must be turned over at least once.
5. Rearrange foods such as meatballs halfway through cooking both from top to bottom and from the center of the dish to the outside.

## **COOKING UTENSILS GUIDE**

1. Microwave cannot penetrate metal. Only use utensils that are suitable for use in microwave ovens. Metallic containers for food and beverages are not allowed during microwave cooking. This requirement is not applicable if the manufacturer specifies size and shape of metallic containers suitable for microwave cooking.
2. Microwave cannot penetrate metal, so metal utensils or dishes with metallic trim should not be used.
3. Do not use recycled paper products when microwave cooking, as they may contain small metal fragments which may cause sparks and/or fires.
4. Round /Oval dishes rather than square/oblong ones are recommended, as food in corners tends to overcook.
5. Narrow strips of aluminum foil may be used to prevent overcooking of exposed areas. But be careful, don't use too much and keep a distance of 1 inch (2.54cm) between foil and cavity.

The list below is a general guide to help you select the correct utensils.



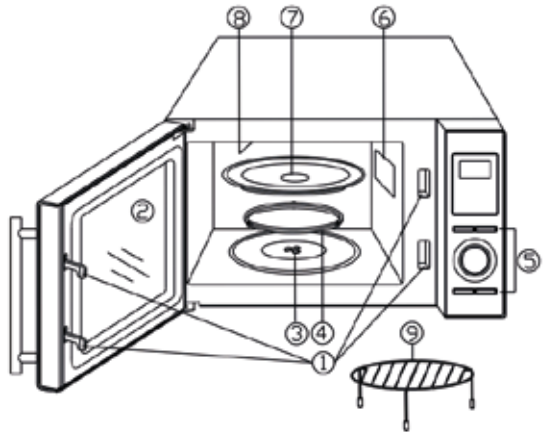
COOKWARE	MICROWAVE	GRILL	COMBINATION
Heat-Resistant Glass	Yes	Yes	Yes
Non Heat-Resistant Glass	No	No	No
Heat-Resistant Ceramics	Yes	Yes	Yes
Microwave-Safe Plastic Dish	Yes	No	No
Kitchen Paper	Yes	No	No
Metal Tray	No	Yes	No
Metal Rack	No	Yes	No
Aluminum Foil & Foil Containers	No	Yes	No

## SPECIFICATIONS

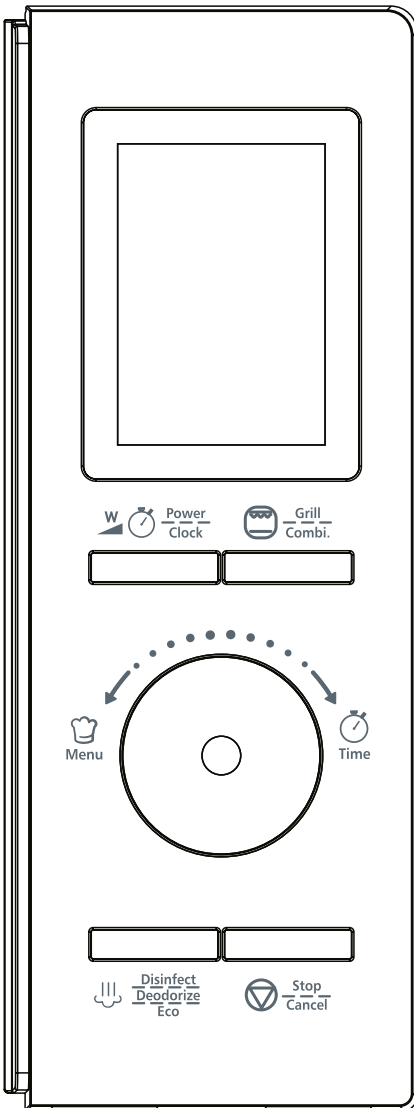
Power Consumption	230V/50Hz, 1400W(Microwave)
	1000W(Grill)
Rated Microwave Power Output	900W
Operation Frequency	2450MHz
Outside Dimensions	281mm(H)×483mm(W)×410mm(D)
Oven Cavity Dimensions	220mm(H)×340mm(W)×344mm(D)
Oven Capacity	25Litres
Net Weight	Approx.14kg

## PRODUCT DIAGRAM

1. Door Safety Lock System
2. Oven Window
3. Shaft
4. Roller Ring
5. Control Panel
6. Wave Guide  
(Please do not remove the mica plate covering the wave guide)
7. Glass Tray
8. Grill Heater
9. Metal Rack



# CONTROL PANEL



- **DISPLAY**

Cooking time, power, indicators and clock time are displayed.

- **POWER/CLOCK**

Press to select microwave power level.

Use to set clock time.

- **GRILL/COMBI.**

Press to set grill cooking program.

Press to set microwave and grill combination cooking program.

- **MENU/TIME (dial)**

Turn the dial to set time.

Turn the dial to select auto cooking menus.

- **START/QUICK START (the dial)**

Press the dial to start cooking and defrosting programs.

Simply press the dial a number of times to set cooking time and cook immediately at full power level.

- **DISINFECT/DEODORIZE/ECO**


Use to set disinfect, deodorize and power saving functions.

- **STOP/CANCEL**

Press once to temporarily stop cooking, or twice to cancel cooking altogether.

It is also used to set child lock.

# OPERATION INSTRUCTIONS

- When the oven is plugged in, a beep will sound and the display will show "1:00" and ""
- In the process of setting, wait about 30 seconds the oven will return to standby mode.
- During cooking, if press STOP/CANCEL button once, the program will be paused, and then press START/QUICK START button once to resume. But if press STOP/CANCEL twice, the program will be cancelled.
- After cooking ends, the display will show End and beep will sound every two minutes until user presses any button or opens the door.

## SETTING CLOCK TIME

This is a 12- or 24- hour clock. You can choose to set the clock time in 12- or 24- hour by pressing POWER/CLOCK button in standby mode.

1. In standby mode, press and hold POWER/CLOCK button for 3 seconds to select 12- hour clock, and then press it again to select 24- hour clock.
2. Turn MENU/TIME dial to set hour digit.
3. Press POWER/CLOCK or START/QUICK START button once.
4. Turn MENU/TIME dial to set minute digit.
5. Press POWER/CLOCK or START/QUICK START button to confirm.

## MICROWAVE COOKING

1. In standby mode, press POWER/CLOCK repeatedly to select cooking power level.
2. Turn MENU/TIME dial to set cooking time. The longest time is 95 minutes.
3. Press START/QUICK START button to confirm.

**Press POWER/CLOCK button to select power level:**

Press POWER/CLOCK	Power (Display)	Press POWER/CLOCK	Power (Display)
Once	100% (100)	7 times	40% (40)
Twice	90% (90)	8 times	30% (30)
3 times	80%(80)	9 times	20% (20)
4 times	70% (70)	10 times	10% (10)
5 times	60% (60)	11 times	0% (00)
6 times	50% (50)		

**NOTE:** You can check the cooking power level during cooking by pressing POWER/CLOCK button.

## EXPRESS COOKING

Use this feature to program the oven to microwave food at 100% power conveniently. In standby mode, press START/QUICK START button repeatedly to set cooking time (each press to increase 30 seconds, and up to 10 minutes), the oven starts working automatically at full power.

## GRILL

Grill cooking is particularly useful for thin slices of meat, steaks, chops, kebabs, sausages and pieces of chicken. It is also suitable for hot sandwiches and au gratin dishes.

1. In standby mode, press GRILL/COMBI. button once.
2. Turn MENU/TIME dial to set cooking time. The longest time is 95 minutes.
3. Press START/QUICK START button to confirm.

## COMBINATION

Combination 1: 30% of time for microwave cooking, 55% time for grill cooking and 15% time the oven will stop working in one cycle. Use for fish, potatoes or au gratin.

Combination 2: 40% of time for microwave cooking, 15% time the oven will stop working and 45% for grill cooking in one cycle. Use for pudding, omelets, baked potatoes and poultry.

1. In standby mode, press GRILL/COMBI. button 2 or 3 times to select "Co-1" or "Co-2".
2. Turn MENU/TIME dial to set cooking time. The longest time is 95 minutes.
3. Press START/QUICK START button to confirm.

**NOTE:** During cooking, you can press GRILL/COMBI. button to check the combination power level.

## DISINFECT FUNCTION

1. In standby mode, press DISINFECT/DEODORIZE/ECO once. The display shows the disinfection mode 1 code "dIS1". Then you can select the disinfection mode 2, turn MENU/TIME dial until the display shows "dIS2".

2. Press START/QUICK START button to confirm.

**NOTE:** The working time of disinfection mode 1 is 1 minute, and that of disinfection mode 2 is 3 minutes.

## DEODORIZE FUNCTION

1. In standby mode, press DISINFECT/DEODORIZE/ECO once. The display shows the disinfection mode 1 code "dIS1". Then turn MENU/TIME dial until the display shows the deodorization mode code dEO.

2. Press START/QUICK START button to confirm.

**NOTE:** The deodorization time is 5 minutes.

DIS1	DIS2
Plate (Glass/Ceramic)	Cutting Board (Plastic)
Glove (Rubber/Latex Glove not recommended)	Baby Bottle (Glass & Plastic PP)
Hand Towel	
Mittens (Cloth)	

## ECO FUNCTION

To set:

1. In standby mode, press DISINFECT/DEODORIZE/ECO once. The display shows the disinfection mode 1 code "dIS1". Then turn MENU/TIME dial until the display shows the power saving mode code ECO.

2. Press START/QUICK START button to confirm.

To cancel: In power saving mode, the power saving function can be cancelled by opening or closing the oven door, pressing any button or turning MENU/TIME dial once, and then the oven will return to standby mode.

## AUTO DEFROST

The time and the defrosting power are adjusted automatically once the weight is programmed. The frozen food weight ranges from 100 g to 1800 g.

1. In standby mode, turn MENU/TIME dial anti-clockwise twice. Then the display shows "10", "AUTO" and " ".

2. Press START/QUICK START button once.

3. Turn MENU/TIME dial to set food weight.

4. Press START/QUICK START button to confirm.

**NOTE:** During defrosting, the system will pause and sound beeps to remind user to turn food over, and then press START/QUICK START button to resume.

## MULTI-STAGE COOKING

Your oven can be programmed for up to 3 automatic cooking sequences.

Suppose you want to set the following cooking program.

Microwave cooking

Microwave cooking (with lower power level)

1. Input the first microwave cooking program. Do not press START/QUICK START.

3. Input the second microwave cooking program.

4. Press START/QUICK START button to start.

**NOTE:** Auto cook menus, auto defrost, disinfection function, deodorization function and power saving function cannot be set in multistage cooking program.

## CHILD LOCK

The childproof lock prevents unsupervised operation by children.

To set: In standby mode, press and hold STOP/CANCEL button for 3 seconds, then a beep will sound and the indicator light will turn on. In the lock state, all buttons are disabled.

To cancel: Press and hold STOP/CANCEL button for 3 seconds, then a beep will sound and the indicator light will disappear.

## AUTO COOK

For the following food or cooking mode, it is not necessary to program the cooking time and power. It is sufficient to indicate the type of food that you want to cook as well as the weight or servings of this food.

1. In standby mode, turn MENU/TIME dial anti-clockwise once, the display shows food code "1", and then continue to turn the dial to select others food code.
2. Press START/QUICK START button once.
3. Turn MENU/TIME dial to select food weight or servings.
4. Press START/QUICK START button to start.

### Auto cook menus:

Code	Food	Note
1	Milk/Coffee (200 ml/cup, 1-3 cups)	<ul style="list-style-type: none"><li>• For items 7~9, during cooking, the system will pause to remind user to turn food over, and then press START/QUICK START button to resume.</li><li>• The result of auto cooking depends on factors such as voltage fluctuation, the shape and size of food, your personal preference as to the doneness of certain foods and even how well you happen to place food in the oven. If you find the result at any rate not quite satisfactory, please adjust the cooking time a little bit accordingly.</li></ul>
2	Rice (150-600 g)	
3	Spaghetti (100 g, 200 g, 300 g)	
4	Potato (230 g/serving, 1-3 servings)	
5	Auto Reheat (200-800 g)	
6	Fish (200-600 g)	
7	Chicken (800-1400 g)	
8	Beef/Mutton (200-600 g)	
9	Skewered Meat (100-500 g)	

## CLEANING AND CARE

1. Turn off the oven and unplug the power cord from the wall when cleaning.
2. Keep the inside of the oven clean. When food splatters or spilled liquids adhere to oven walls, wipe with a damp cloth. Mild detergents may be used if the oven gets very dirty. Avoid using spray or other harsh cleaners. They may stain, streak or dull the door surface.
3. The outside of the oven should be cleaned with a damp cloth. To prevent damage to the operating parts inside the oven, water should not be allowed to seep into the ventilation openings.
4. Wipe the door and window on both sides, the door seals and adjacent parts frequently with a damp cloth to remove any spills or spatters. Do not use abrasive cleaner.

5. A steam cleaner is not be used.
6. Do not allow the control panel to become wet. Clean with a soft, damp cloth. When cleaning the control panel, leave oven door open to prevent oven from accidentally turning on.
7. If steam accumulates inside or around the outside of the oven door, wipe with a soft cloth. This may occur when the microwave oven is operated under high humidity condition. And it is normal.
8. It is occasionally necessary to remove the glass tray for cleaning. Wash the tray in warm sudsy water or in a dishwasher.
9. The roller ring and oven floor should be cleaned regularly to avoid excessive noise. Simply wipe the bottom surface of the oven with mild detergent. The roller ring may be washed in mild, soapy water or in a dishwasher. When removing the roller ring, be sure to replace it in the proper position.
10. Remove odors from your oven by combining a cup of water with the juice and skin of one lemon in a microwaveable bowl. Microwave for 5 minutes. Wipe thoroughly and dry with a soft cloth.
11. If the light bulb burns out, please contact customer service to have it replaced.
12. The oven should be cleaned regularly and any food deposits should be removed. Failure to maintain the oven in a clean condition could lead to deterioration of surface that could adversely affect the life of the unit and could possibly result in a hazardous situation.
13. Please do not dispose of this appliance into the domestic rubbish bin; it should be disposed to the particular disposal center provided by the municipalities.
14. When the microwave oven with grill function is first used, it may produce slight smoke and smell. This is a normal phenomenon, because the oven is made of a steel plate coated with lubricating oil, and the new oven will produce fumes and odor generated by burning the lubricating oil. This phenomenon will disappear after a period of using.



**The widest service center network in the country with  
more than 200 outlets**



**Dawlance Reliable service is available for all  
household products  
Services at your doorstep within 24 hours  
Call Center Services available  
all week 24/7**

**Service UAN # 021-111-11-7359 (RELY)**

**Head Office: Dawlance Center 7/4, Civil Lines-9**

**Dr. Ziauddin Ahmed Road, Karachi.**

**Ph: (021) 35652450-9**

**E-mail: [customer.service@dawlance.com.pk](mailto:customer.service@dawlance.com.pk)**

**Website: [www.dawlance.com.pk](http://www.dawlance.com.pk)**

**ڈاؤلینس ریلیئبل ہے!**



 *Dawlance*  
ریلائبیل ہے!